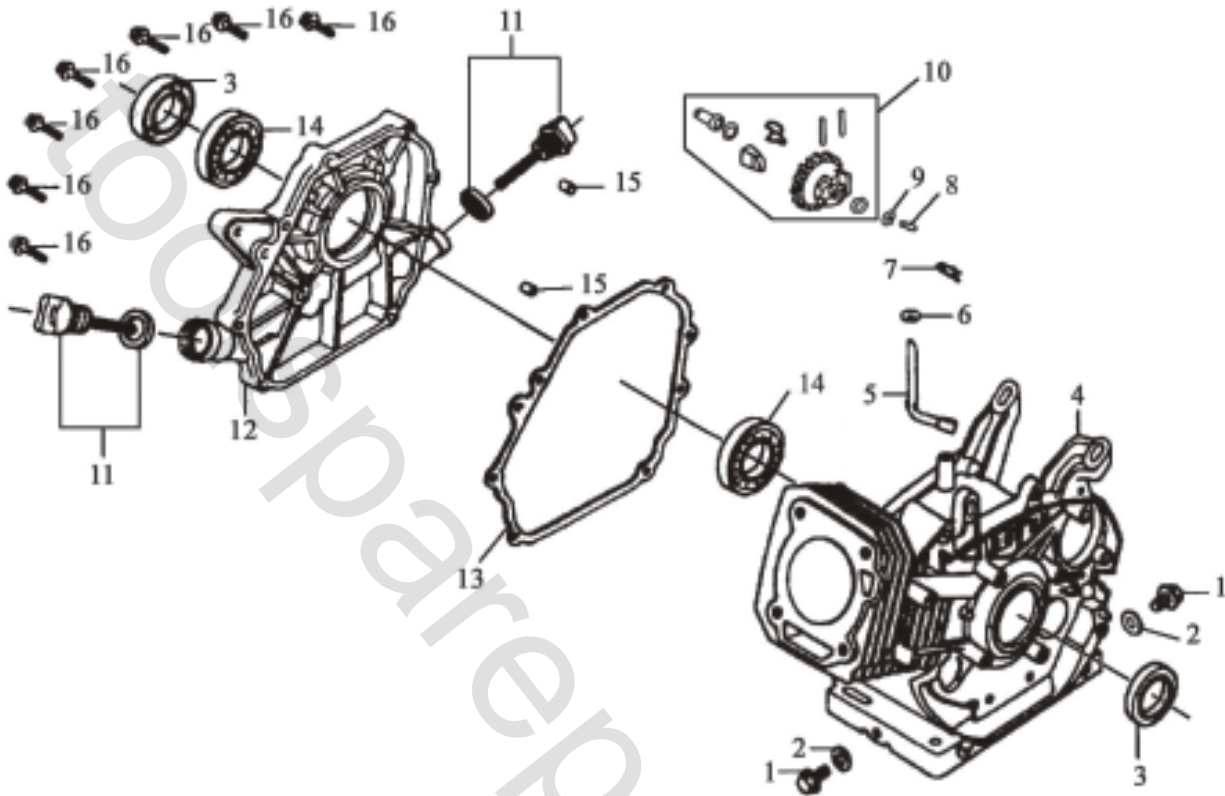


UP168-I(UP160)零部件配置表

1. CRANKCASE ASSY



Drawing Reference No:	TTI NO	DESCRIPTION	QTY.
1	099980091001	Drain plug	2
2	099980091002	Washer,drain plug	2
3	099980091003	Oil seal, crankshaft	2
4	099980091004	Crankcase	1
5	099980091005	Regulating sway bar	1
6	099980091006	Washer	2
7	099980091007	Split pin	1
8	099980091008	Regulating shaft	1
9	099980091009	Snap ring	1
10	099980091010	Driven gear assy	1
11	099980091011	Dipstick with seal	2
	099980091012	Dipstick with seal	
12	099980091013	Crankcase cover	1
13	099980091014	Gasket, crankcase	1
14	099980091015	Bearing 6205	2
15	099980091016	Set pinΦ8×14	2
16	099980091017	Bolt M8×33.5	6