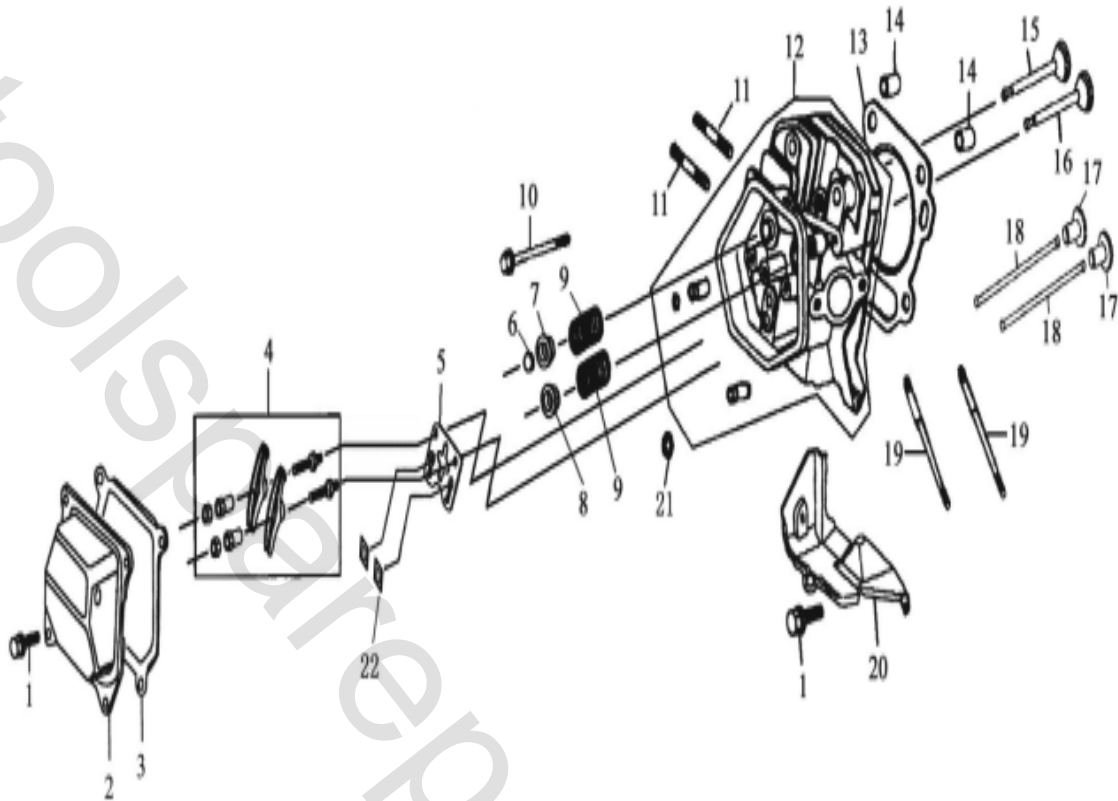


UP168-I(UP160)零部件配置表

2. CYLINDER HEAD & CYLINDER HEAD COVER ASSY



Drawing Reference No:	TTI NO	DESCRIPTION	QTY.
1	099980092001	Bolt M6×12	6
2	099980092002	Cylinder head cover	1
3	099980092003	Gasket,cyl. head cover	1
4	099980092004	Valve rocket assy	1(2 units)
5	099980092005	Push guide	1
6	099980092006	Cap	1
7	099980092007	Exhaust spring seat	1
8	099980092008	Intake spring seat	1
9	099980092009	Valve spring	2
10	099980092010	Bolt M8×60	4
11	099980092011	Stud AM8×34	2
12	099980092012	Cylinder head assy	1
13	099980092013	Cylinder head gasket	1
14	099980092014	Set pin	2
15	099980092015	Exhaust valve	1
16	099980092016	Intake valve	1
17	099980092017	Tappet	2
18	099980092018	Pusher	2
19	099980092019	Stud AM6×105	2
20	099980092020	Lead wind cover	1
21	099980092021	Oil seal, pipe	1
22	099980092022	Nylon, lining	2