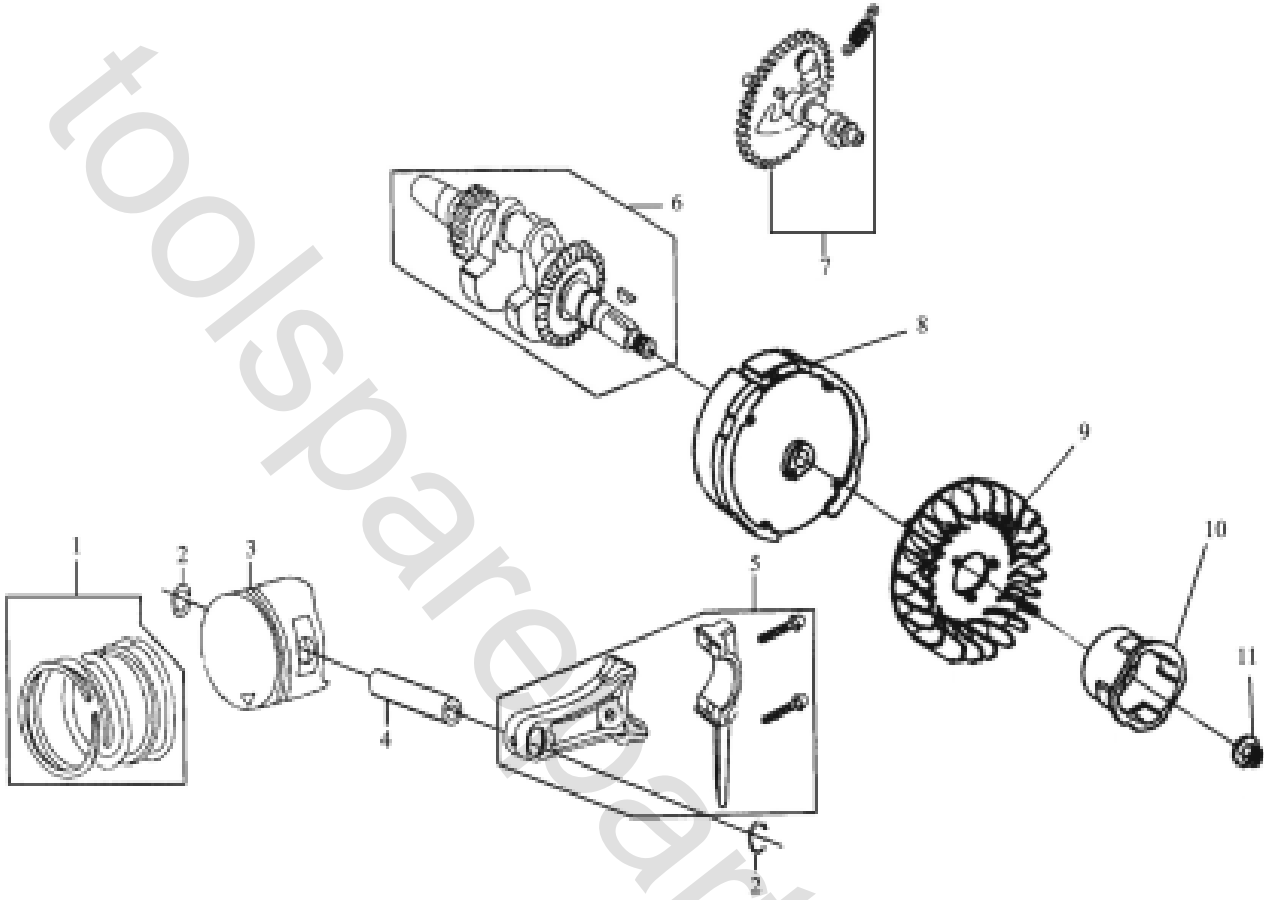


UP168-I(UP160)零部件配置表

3. CRANKSHAFT, PISTON, CONNECTING, CAMSHAFT ASSY & FLYWHEEL ASSY



Drawing Reference No:	TTI NO	DESCRIPTION	QTY.
		1	099980093001
2	099980093002	Piston pin circlip	2
3	099980093003	piston	1
4	099980093004	Piston pin	1
5	099980093005	Connect rod assy	1
6	099980093006	Cranshaft assy	1
7	099980093007	Camshaft assy	
8	099980093008	Flywheel	1
9	099980093009	Flywheel fan	1
10	099980093010	Starting flange(yama	1
	099980093011	Starting flange(honday type)	
11	099980093012	Nut M14x1.5	1