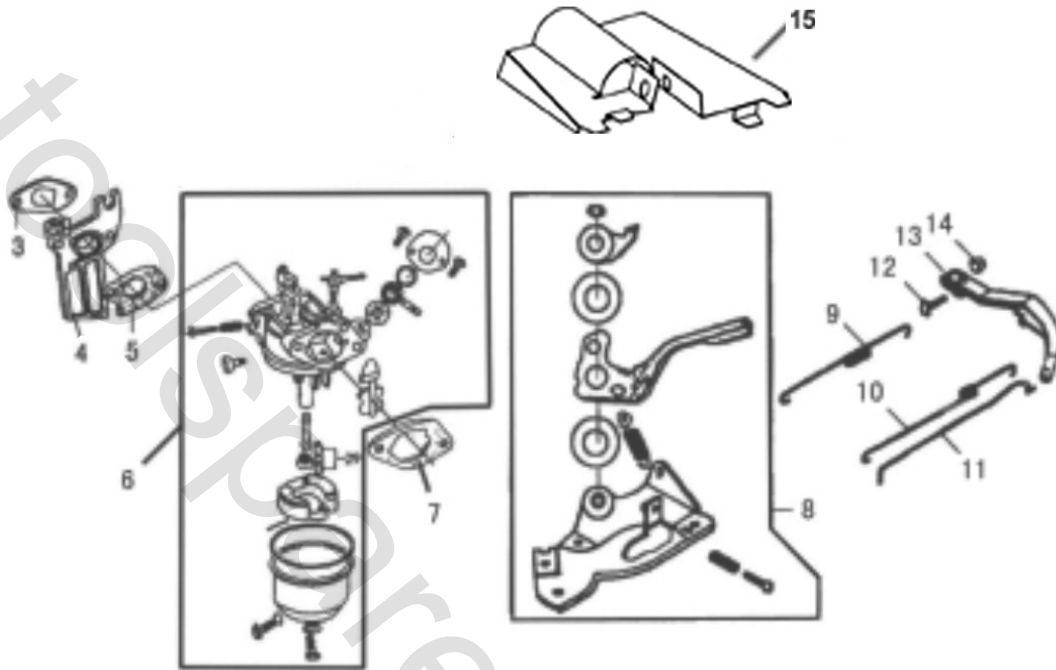


UP168-I(UP160)零部件配置表

6. FUEL SUPPLY SYSTEM



Drawing Reference No:	TTI NO	DESCRIPTION	QTY.
	099980096001	Pipe clamp	2
	099980096002	Fuel pipe	Φ4.5×170mm
3	099980096003	Inlet gasket	1
4	099980096004	Connecting block	1
5	099980096005	Carburetor gasket	1
6	099980096006	Carburetor assy	1
7	099980096007	Gasket,air cleaner	1
8	099980096008	Regulating control assy	1
9	099980096009	Back spring	1
	099980096010	Back spring	
10	099980096011	Regulating spring	1
11	099980096012	Pulling rod	1
12	099980096013	Lock bolt	1
	099980096014	Lock bolt	
13	099980096015	Regulating arm	1
14	099980096016	Nut M6	1
15	099980096017		1