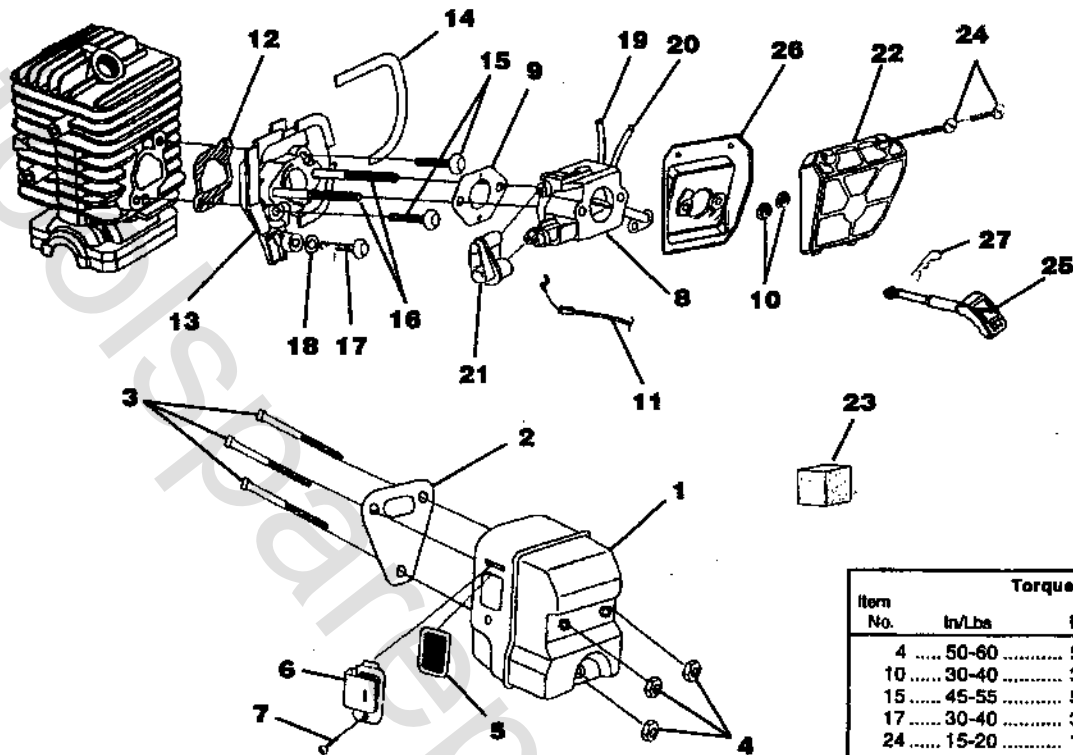


33CC 18" CHAIN SAW

MODELUT10787

CARBURETOR - MUFFLER - AIR FILTER



| Item No. | Torque Specs | | Required Loctite |
|----------|--------------|---------|---------------------|
| | In/Lbs | Nm | |
| 4 | 50-60 | 5.6-6.7 | |
| 10 | 30-40 | 3.4-4.5 | |
| 15 | 45-55 | 5.0-6.2 | |
| 17 | 30-40 | 3.4-4.5 | |
| 24 | 15-20 | 1.7-2.3 | |