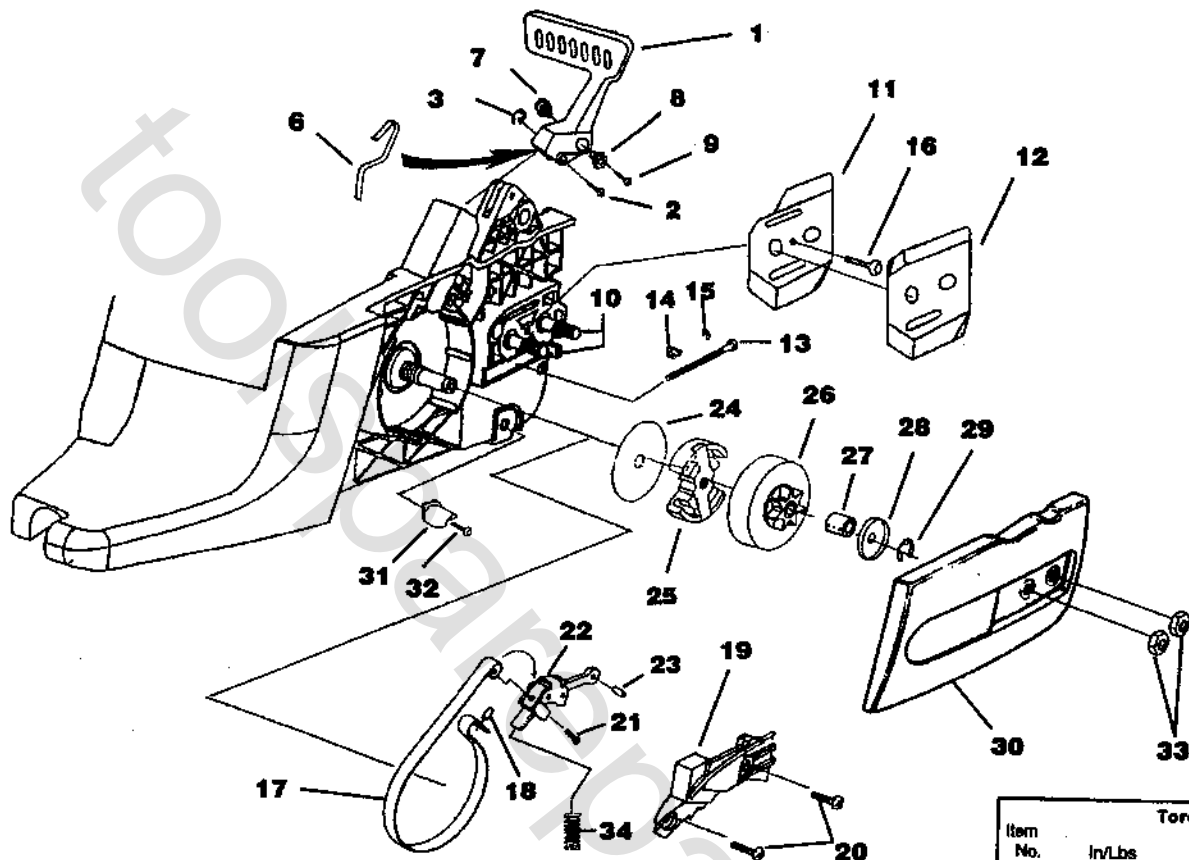


# 33CC 18" CHAIN SAW

## MODELUT10787

### CLUTCH - CHAIN BRAKE - DRIVE CASE COVER



Item No.	Torque Specs		Required Loctite
	In/Lbs	Nm	
9	25-35	2.6-3.9	
16	8-18	.9-2.0	
20	10-20	1.1-2.3	
21	20-30	2.3-3.4	
25	130-180	14.7-20.3	
32	30-60	3.4-5.6	
33	Hand Tight		