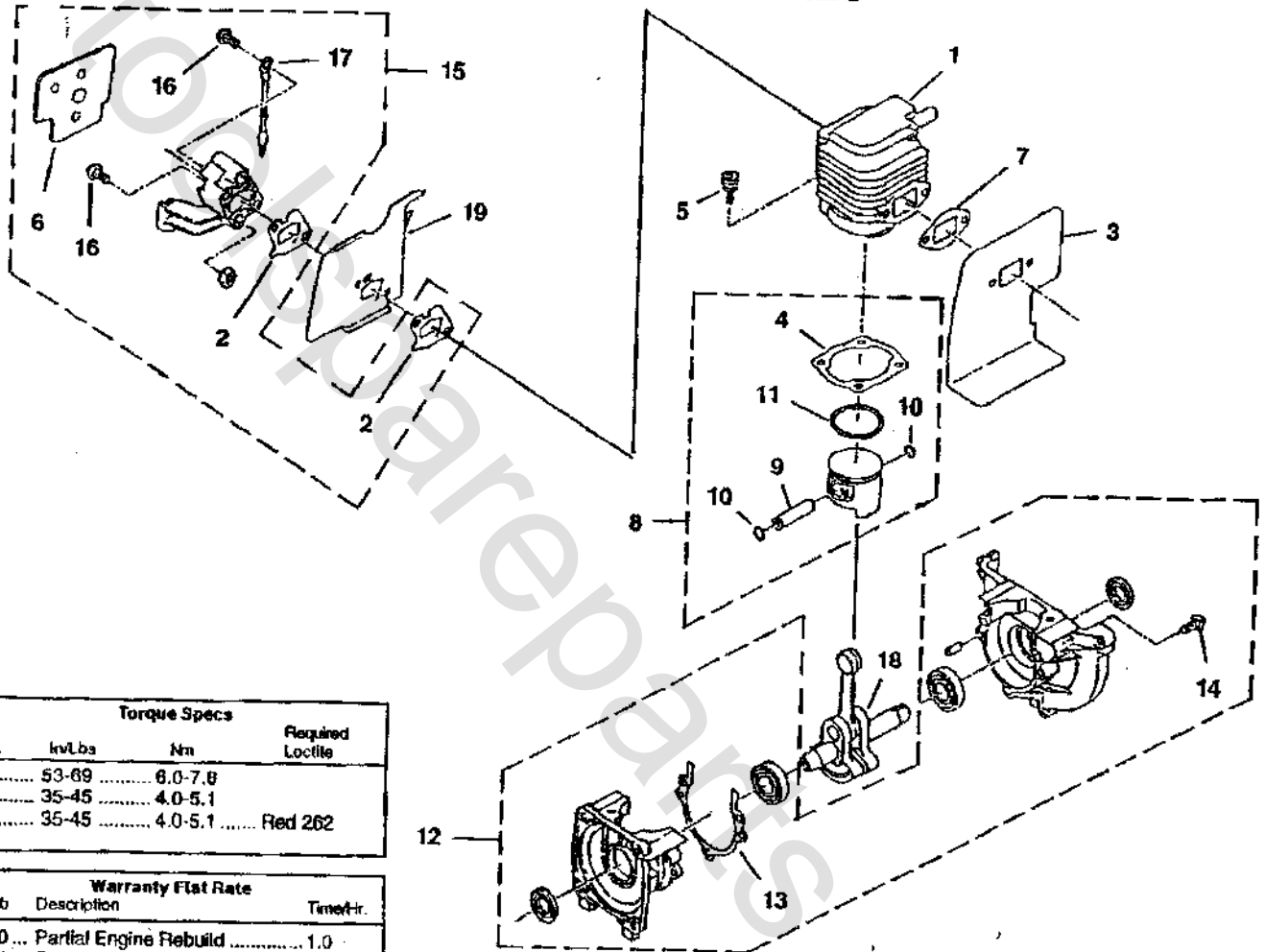


# GB25 24CC BLOWER

## MODEL UT 26114

### ENGINE INTERNALS



Item No.	Torque Specs		Required Loctite
	kvLbs	Nm	
5	53-69	6.0-7.0	
14	35-45	4.0-5.1	
16	35-45	4.0-5.1	Red 262

Warranty Flat Rate		Time/Hr.
Job	Description	
CB10	Partial Engine Rebuild	1.0
CB11	Complete Engine Rebuild	1.5
CB15	Seal (Per Side)	0.4
FF17	Heat Dam	0.3
FD25	Crankcase Cover	0.3