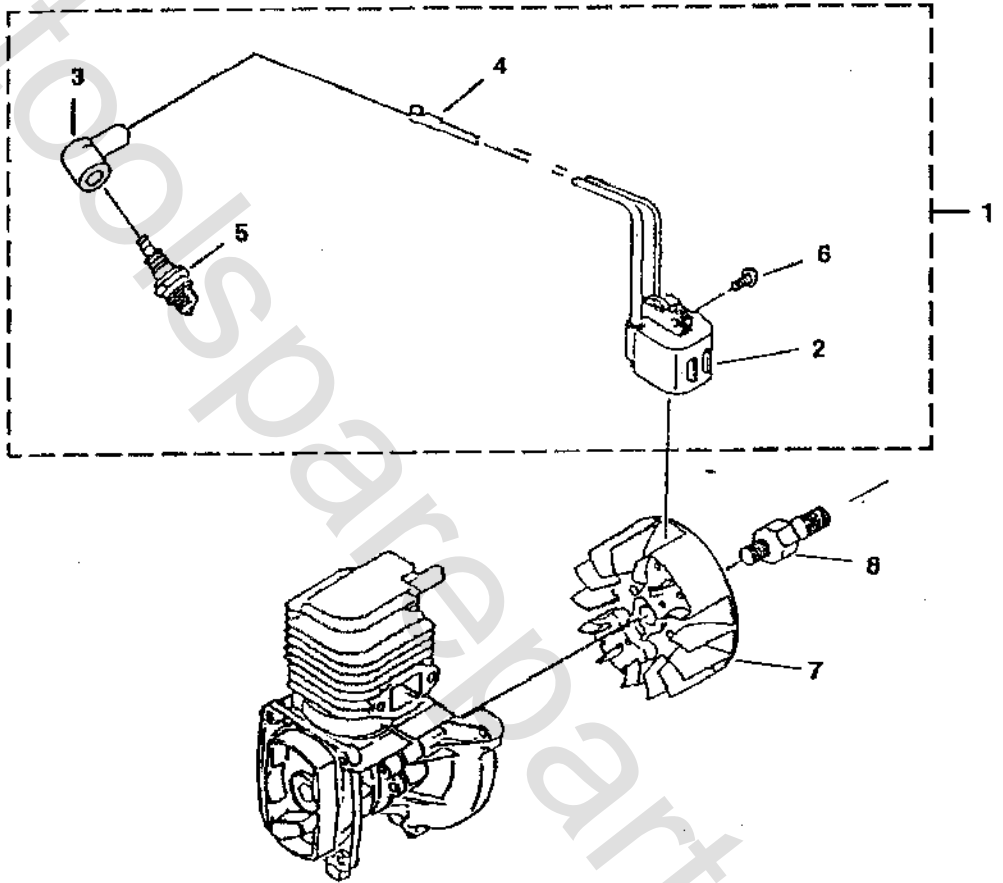


# GB25 24CC BLOWER

## MODEL UT 26114

### IGNITION - ROTOR



Item No.	Torque Spec.		Required Loctite
	In/Lbs*	Nm	
5	105-155	11.9-17.5	
6	17-27	1.9-3.1	
8	88-104	9.9-11.8	

Job	Description	Warranty Flat Rate	
		Time	h.
FA11	Ignition Module	0.7	
FA22	Rotor	0.7	