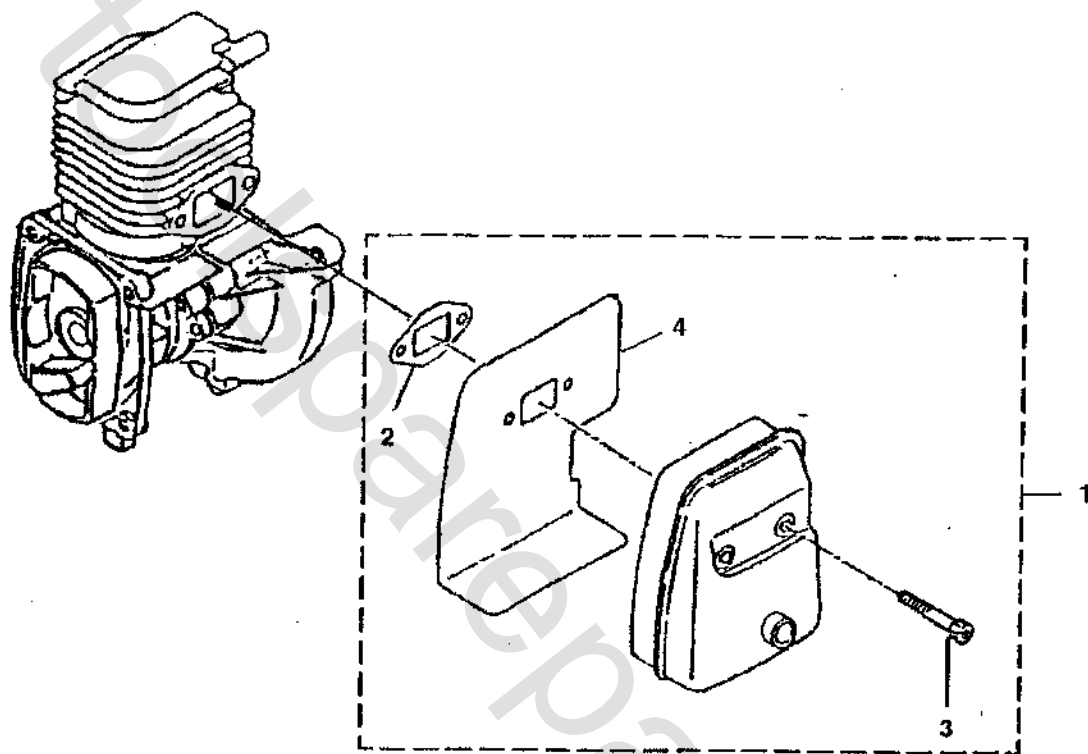


GB25 24CC BLOWER
MODEL UT 26114

EXHAUST SYSTEM



Item No.	Torque Specs		Required Locktite
	In/Lbs	Nm	
.3	60-70	6.8-7.9	Red 262

Job	Description	Warranty Flat Rate	
		Time	Rate
CB18	Muffler	0.3	