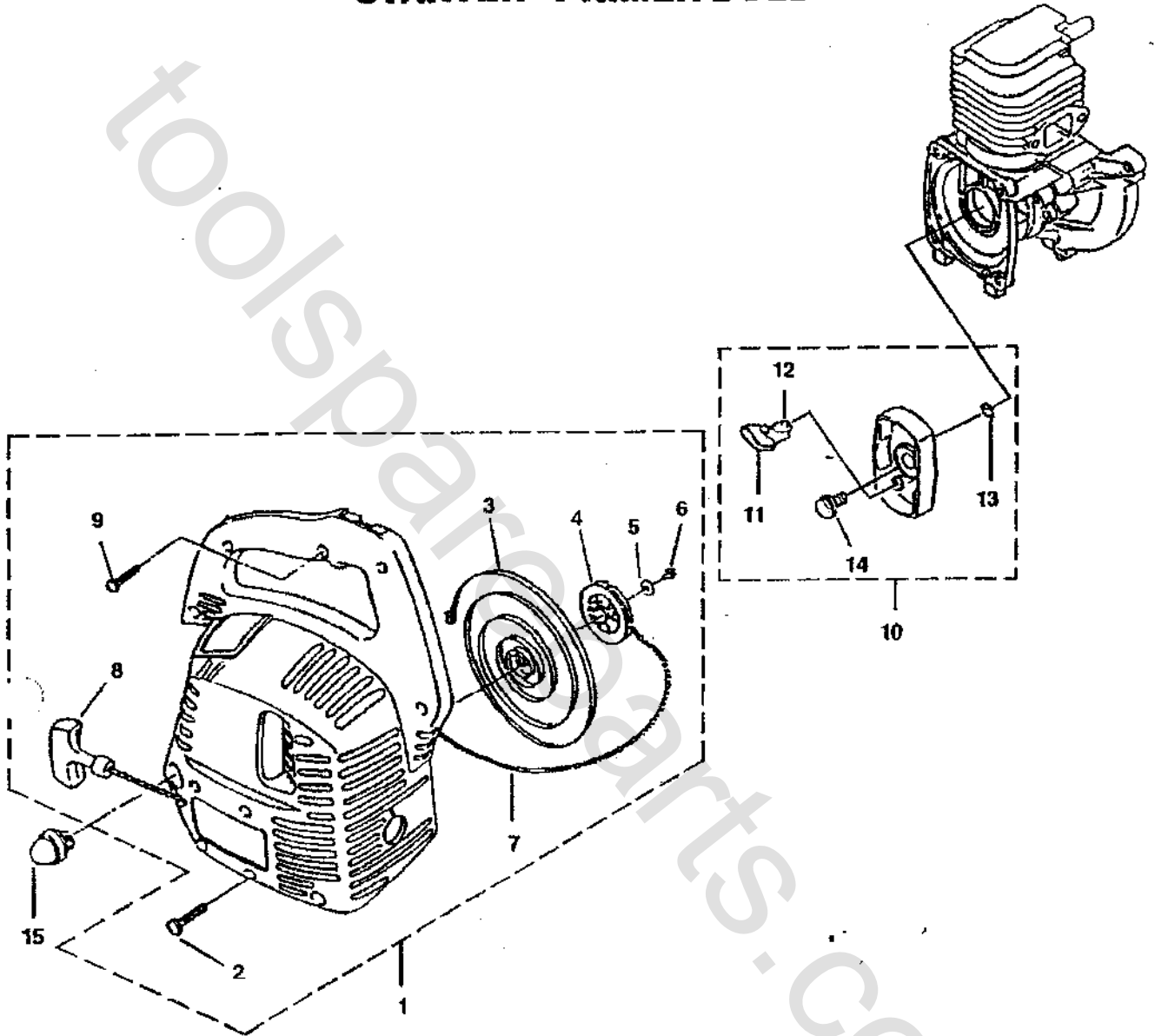


GB25 24CC BLOWER
MODEL UT 26114

STARTER - PRIMER BULB



Item No.	Torque Specs		Required Loctite
	In/Lbs	Nm	
6	57-83	6.4-9.4	
14	57-83	6.4-9.4	

Job	Description	Warranty Flat Rate	Time/Hr.
CG10	Starter Assembly		0.5