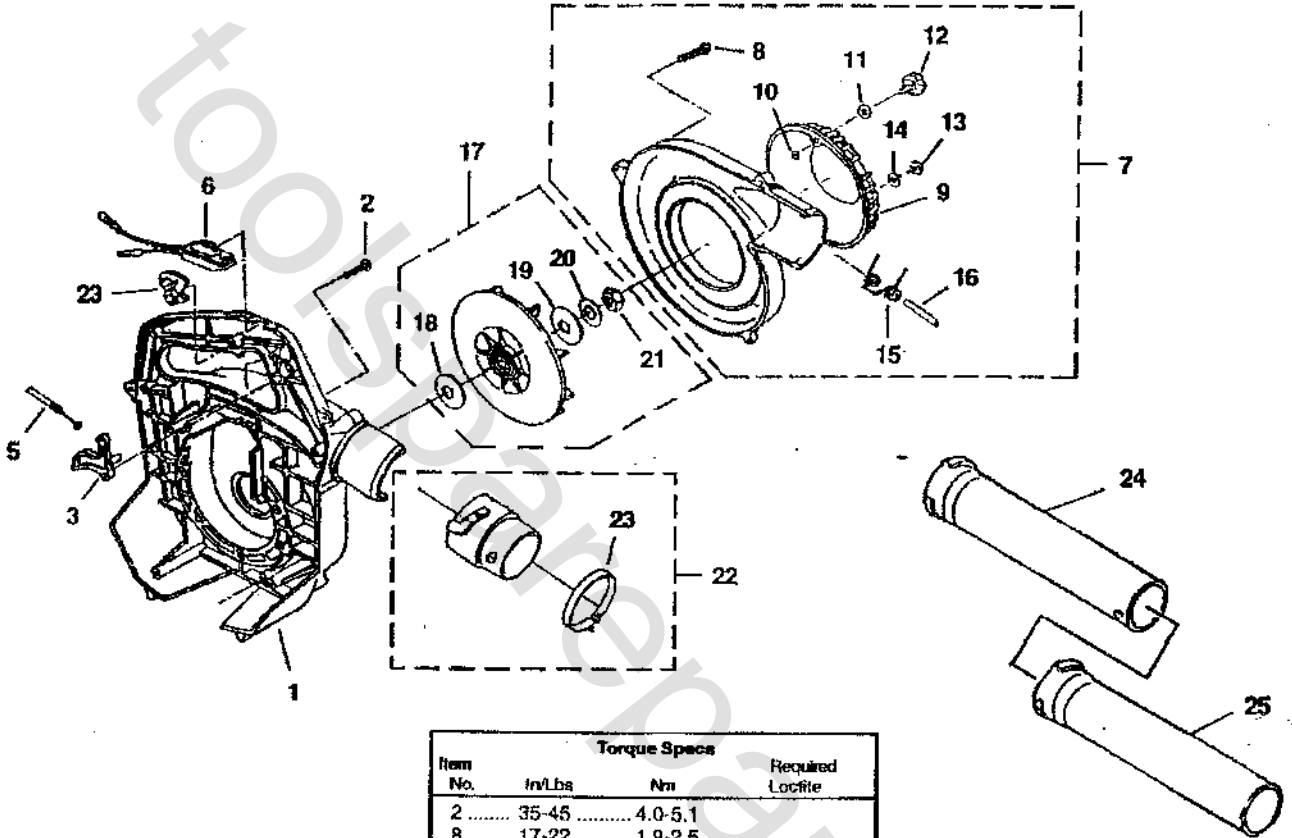


GB25 24CC BLOWER

MODEL UT 26114

VOLUTE - FAN - TUBES



Item No.	Torque Specs		Required Loctite
	In/Lbs	Nm	
2	35-45	4.0-5.1	
8	17-22	1.9-2.5	
13	17-22	1.9-2.5	
21	78-94	8.8-10.6	

Job	Description	Warranty Flat Rate
		Time/Hr.
FA17	Ignition Switch	0.3
CD17	Volute Outer	0.5
CD18	Volute Inner	0.7
CD24	Grill	0.3
CD81	Fan	0.5
CF35	Trigger	0.3
CF13	Throttle Cable	0.3