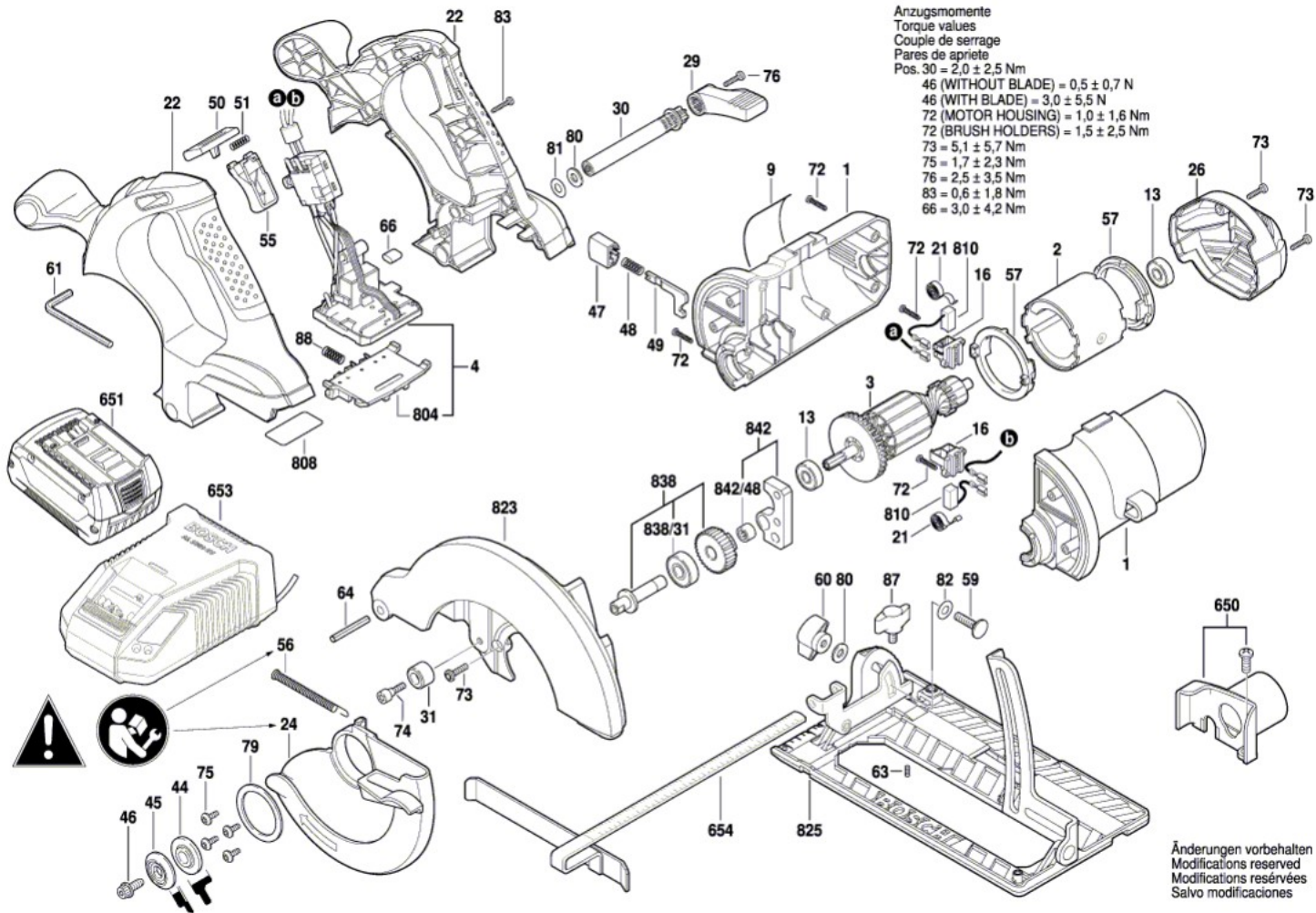


3 601 F6H 041



Anzugsmomente
 Torque values
 Couple de serrage
 Pares de apriete
 Pos. 30 = $2,0 \pm 2,5$ Nm
 46 (WITHOUT BLADE) = $0,5 \pm 0,7$ N
 46 (WITH BLADE) = $3,0 \pm 5,5$ N
 72 (MOTOR HOUSING) = $1,0 \pm 1,6$ Nm
 72 (BRUSH HOLDERS) = $1,5 \pm 2,5$ Nm
 73 = $5,1 \pm 5,7$ Nm
 75 = $1,7 \pm 2,3$ Nm
 76 = $2,5 \pm 3,5$ Nm
 83 = $0,6 \pm 1,8$ Nm
 66 = $3,0 \pm 4,2$ Nm

Änderungen vorbehalten
 Modifications reserved
 Modifications réservées
 Salvo modificaciones