

STANDARD TOLERANCE GRADSES	
DIMENSION RANGE	F I D
0-6	±0.05
6-10	±0.08
10-18	±0.10
18-30	±0.15
30-60	±0.20
60-90	±0.25
90-120	±0.30
120-180	±0.40
180-250	±0.50
250-315	±0.60
315-500	±0.75
500-630	±0.90
630-800	±1.00
800-1000	±1.25

TORQUE TO 12-20 IN-LBS

4X TORQUE TO 25-35 IN-LBS

TORQUE TO 25-35 IN-LBS

TORQUE TO 130-170 IN-LBS

9X TORQUE TO 15-20 IN-LBS

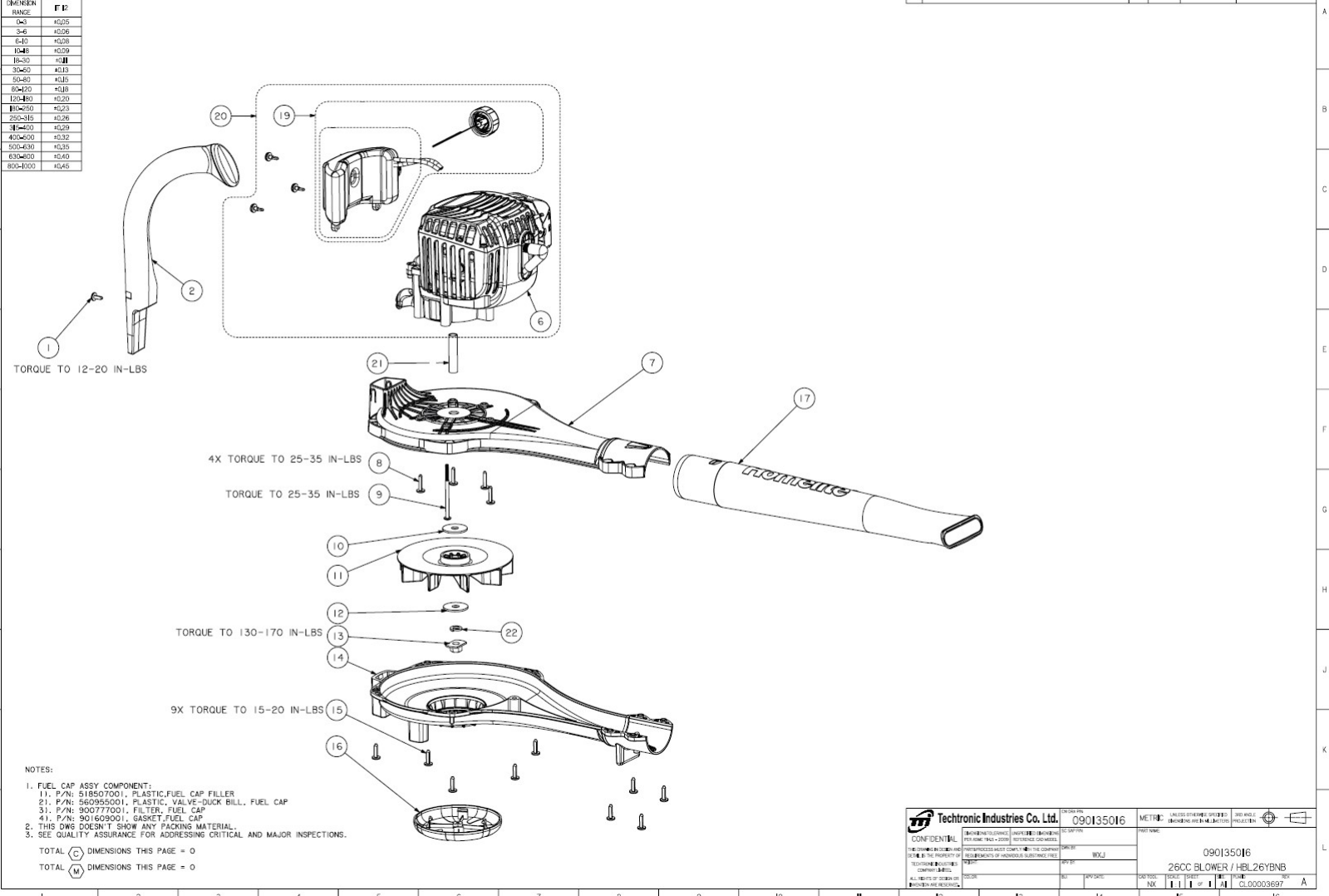
NOTES:

- FUEL CAP ASSY COMPONENT:
 - 11. P/N: 518507001, PLASTIC FUEL CAP FILLER
 - 21. P/N: 560955001, PLASTIC VALVE-DUCK BILL, FUEL CAP
 - 31. P/N: 900777001, FILTER, FUEL CAP
 - 41. P/N: 901609001, GASKET/FUEL CAP
- THIS DWG DOESN'T SHOW ANY PACKING MATERIAL.
- SEE QUALITY ASSURANCE FOR ADDRESSING CRITICAL AND MAJOR INSPECTIONS.

TOTAL (C) DIMENSIONS THIS PAGE = 0

TOTAL (M) DIMENSIONS THIS PAGE = 0

REV	CHANGE DESCRIPTION	ZONE	EC #	DATE	APV BY
A					



		090135016		METRIC UNITS OF MEASURE REFERRED TO IN THIS DOCUMENT ARE IN MILLIMETERS AND DECIMALS THEREOF.	
CONFIDENTIAL		26CC BLOWER / HBL26YBNB		090135016	
ALL RIGHTS OF DESIGN OR INVENTION ARE RESERVED.		DATE: 11/11/11		DRAWING NO: CL00003697	