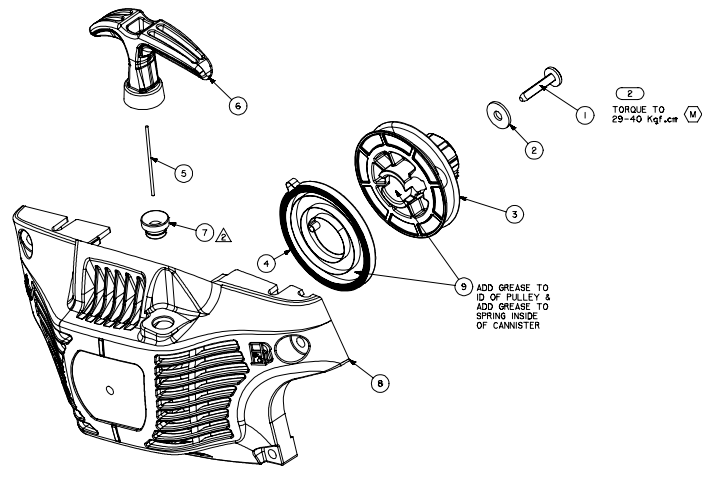


600/9080E	250% Shrink	b	278
TOLERANCE FOR ASSEMBLY			
DIVISION	TOLERANCE		
DIMENSION ( I T R )			
>10	+0.08		
10-30	+0.11		
30-50	+0.13		
50-80	+0.15		
80-100	+0.18		
100-150	+0.20		
150-250	+0.25		
250-315	+0.28		
315-400	+0.29		
400-500	+0.32		
500-650	+0.35		
650-800	+0.40		
800-1000	+0.45		

REVISIONS				
REV	ZONE	DESCRIPTION	ECM	CHECKED
A		PRELIMINARY	186/787	01/16/13
COMPUTERIZED DOCUMENT				XXXXXX XXXX XX/XX/XX
NO MANUAL REVISIONS PERMITTED				

**PRELIMINARY**

**PRELIMINARY**



ITEM	PART NUMBER	DESCRIPTION	QTY
9	900909001	GREASE	2.56
8	518056009	HOUSING-CHAINSAW STARTER	1
7	518437003	GUIDE, RECOIL	1
6	518510004	GRIP, RECOIL	1
5	900849001	ROPE, STARTER PAWL	1
4	308066001	SPRING RECOIL ASSEMBLY	1
3	518041001	STARTER PULLEY	1
2	621056001	WASHER, RETAINING	1
1	660637001	SLOTTED TORX R_L_H.P.S.	1

- NOTES: (1)
- (M) 1. REFER TO COMPONENT DRAWING FOR INSPECTION CRITERIA
  - (M) 2. ITEM 7 MUST BE PRESSED WHERE NO SHARP EDGE, TOP OR BOTTOM, MAKES CONTACT WITH ROPE (ITEM 5) WHEN EXTENDING
  - 3. SEE QUALITY ASSURANCE FOR ADDRESSING CRITICAL AND MAJOR DIMENSIONS
- TOTAL (C) THIS PAGE = 0  
TOTAL (M) THIS PAGE = 3

308067009		STARTER ASSEMBLY / 46CC GEN III	AS ASSEMBLED
PART NUMBER DESCRIPTION DATE			
UNLESS OTHERWISE SPECIFIED DIMENSIONS ARE IN MILLIMETERS			
FOR ALL UNFINISHED DIMENSIONS PLEASE REFER TO THE CAD FILE			
DO NOT SCALE			
USE DIMENSIONS ONLY			
DIMENSION & TOLERANCE PER ASME Y14.5-2009			
THIRD ANGLE PROJECTION			
DRAWN BY HSB		DATE 01/16/13	
CHECKED BY FBZ		DATE 01/16/13	
APPROVED BY KWA		DATE 01/16/13	
MATERIAL: SEE BOM		SIZE: 4	
DRAWING NUMBER: 308067009		SHEET: 1 of 1	