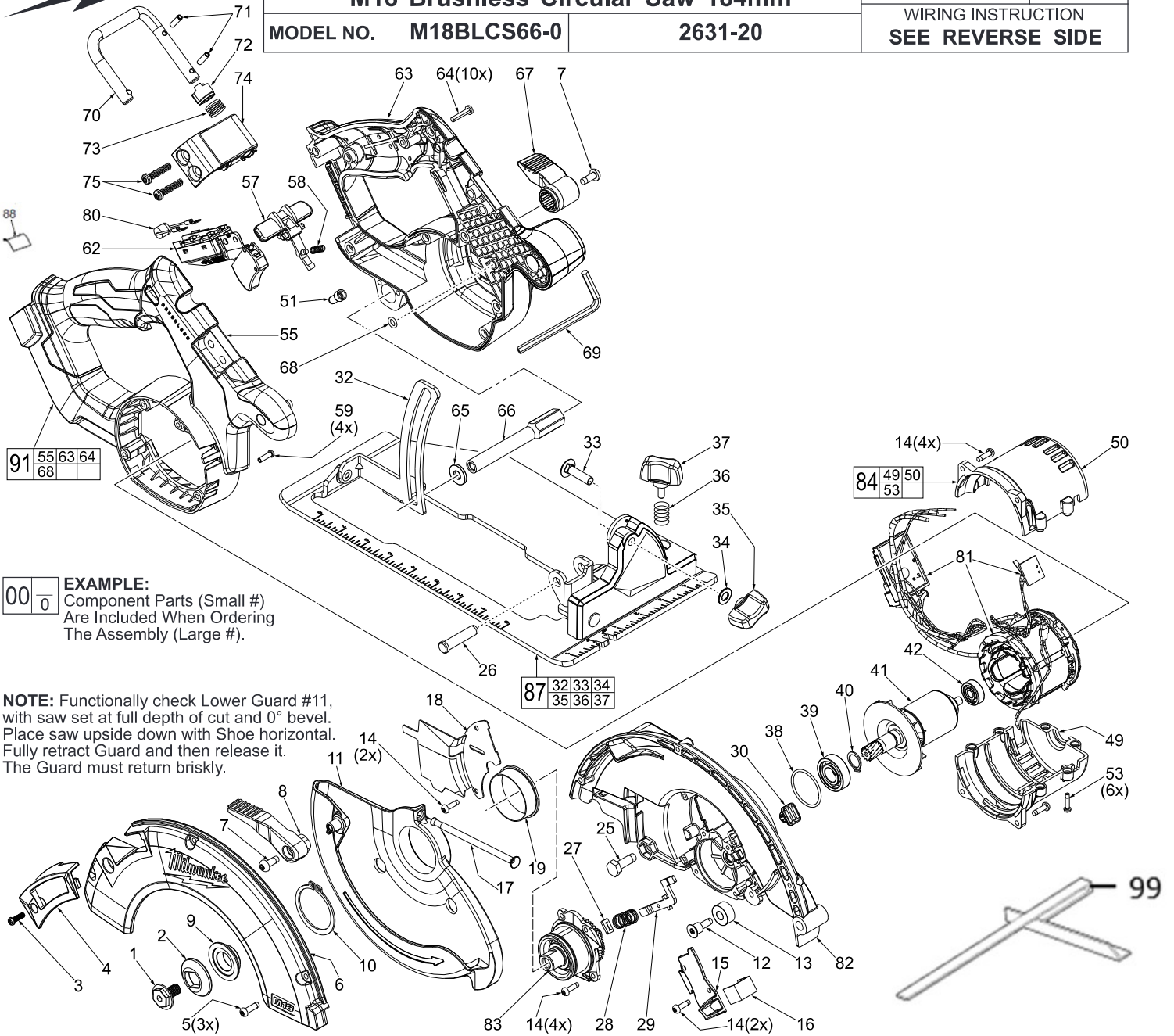




SERVICE PARTS LIST

SPECIFY CATALOG NO. AND SERIAL NO. WHEN ORDERING PARTS		REVISED BULLETIN	DATE
M18 Brushless Circular Saw 184mm			Mar. 2018
MODEL NO.	M18BLCS66-0	WIRING INSTRUCTION SEE REVERSE SIDE	
	2631-20		



EXAMPLE:
 Component Parts (Small #)
 Are Included When Ordering
 The Assembly (Large #).

NOTE: Functionally check Lower Guard #11, with saw set at full depth of cut and 0° bevel. Place saw upside down with Shoe horizontal. Fully retract Guard and then release it. The Guard must return briskly.