



SERVICE PARTS LIST

SPECIFY CATALOG NO. AND SERIAL NO. WHEN ORDERING PARTS		REVISED BULLETIN	DATE
M18™ RANDOM ORBIT SANDER			Nov. 2017
MODEL NO. M18BOS125-0	2648-20	WIRING INSTRUCTION See Page 2	

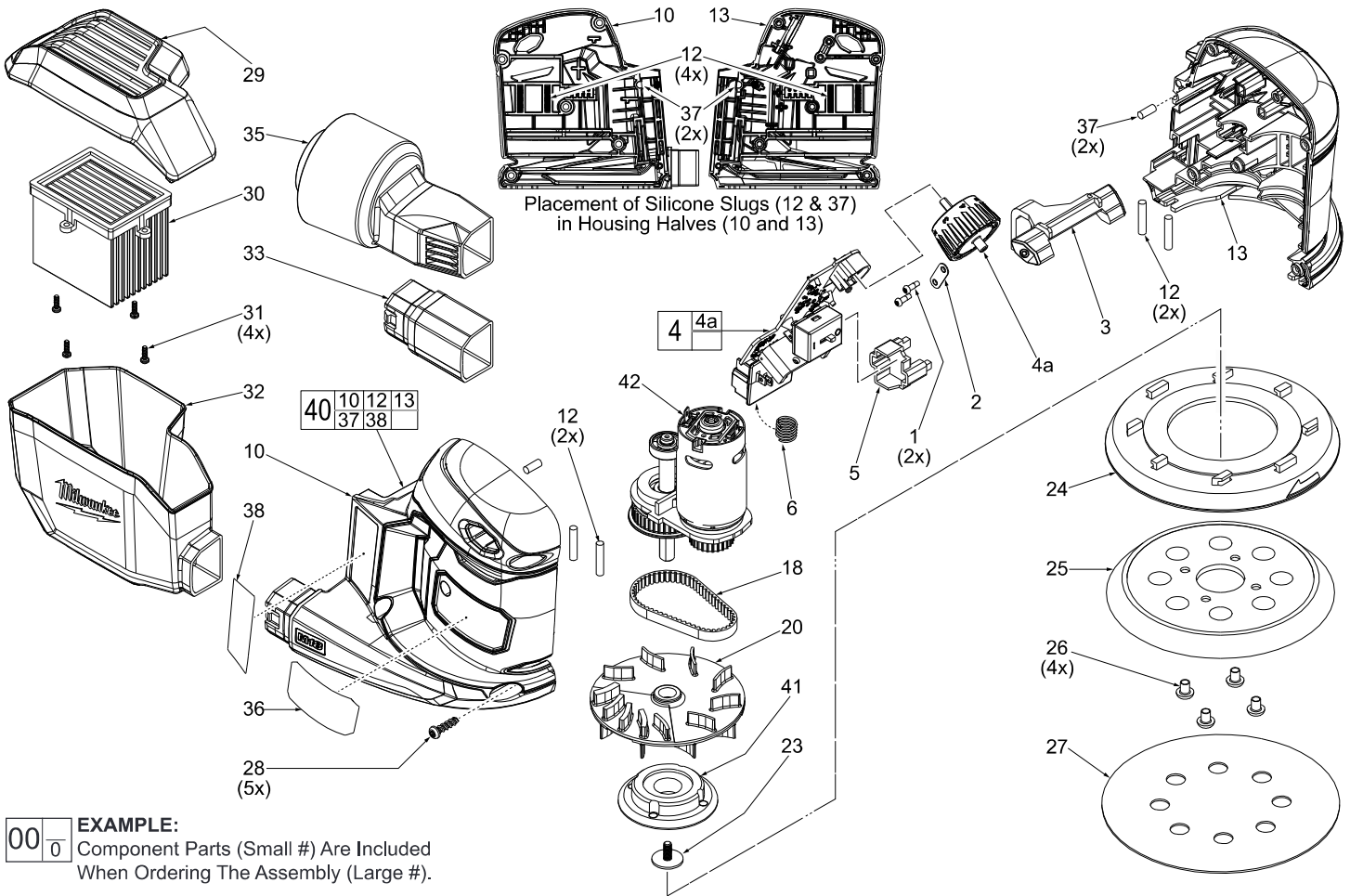


FIG. NOTES
 37,38 A clean, dry surface is essential for proper performance for any adhesive system. Area intended for application of any adhesive label or nameplate must be prepared by cleaning with isopropyl alcohol. The solvent is to be applied with a clean, lint free applicator and the surface allowed to dry before applying the label or nameplate.

SCREW TORQUE SPECIFICATIONS			
FIG.	WHERE USED	SEAT TORQUE	
		(KG/CM)	(IN/LBS)
1	Dial Holding Plate	4±1	3.4±1
23	Spindle	25±3	21.6±2
26	Disc Assembly	21±3	18.2±2
28	Housing Halves	12±3	10.4±2
31	Dust Box Filter	2.5±1	2.1±1