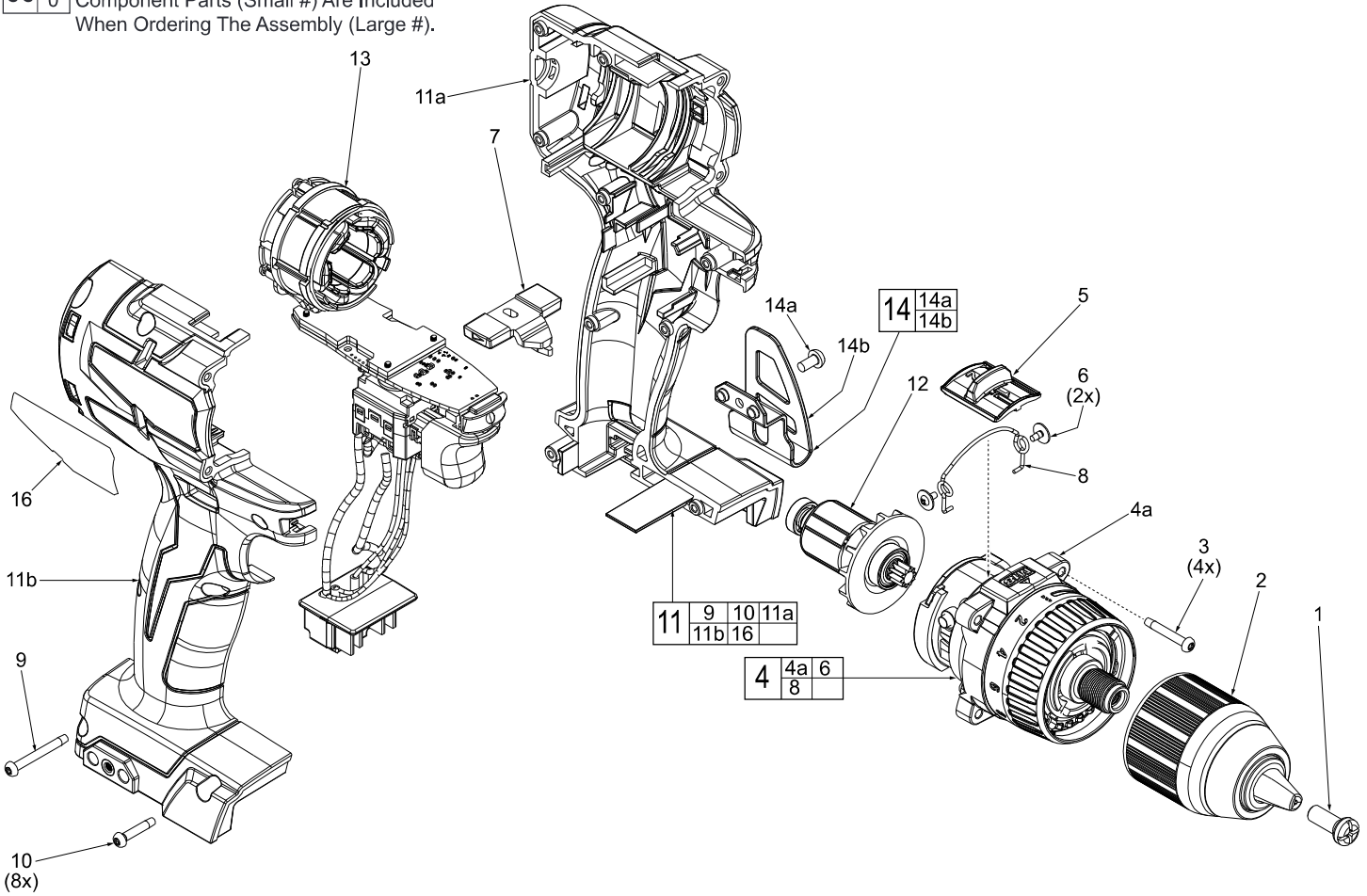




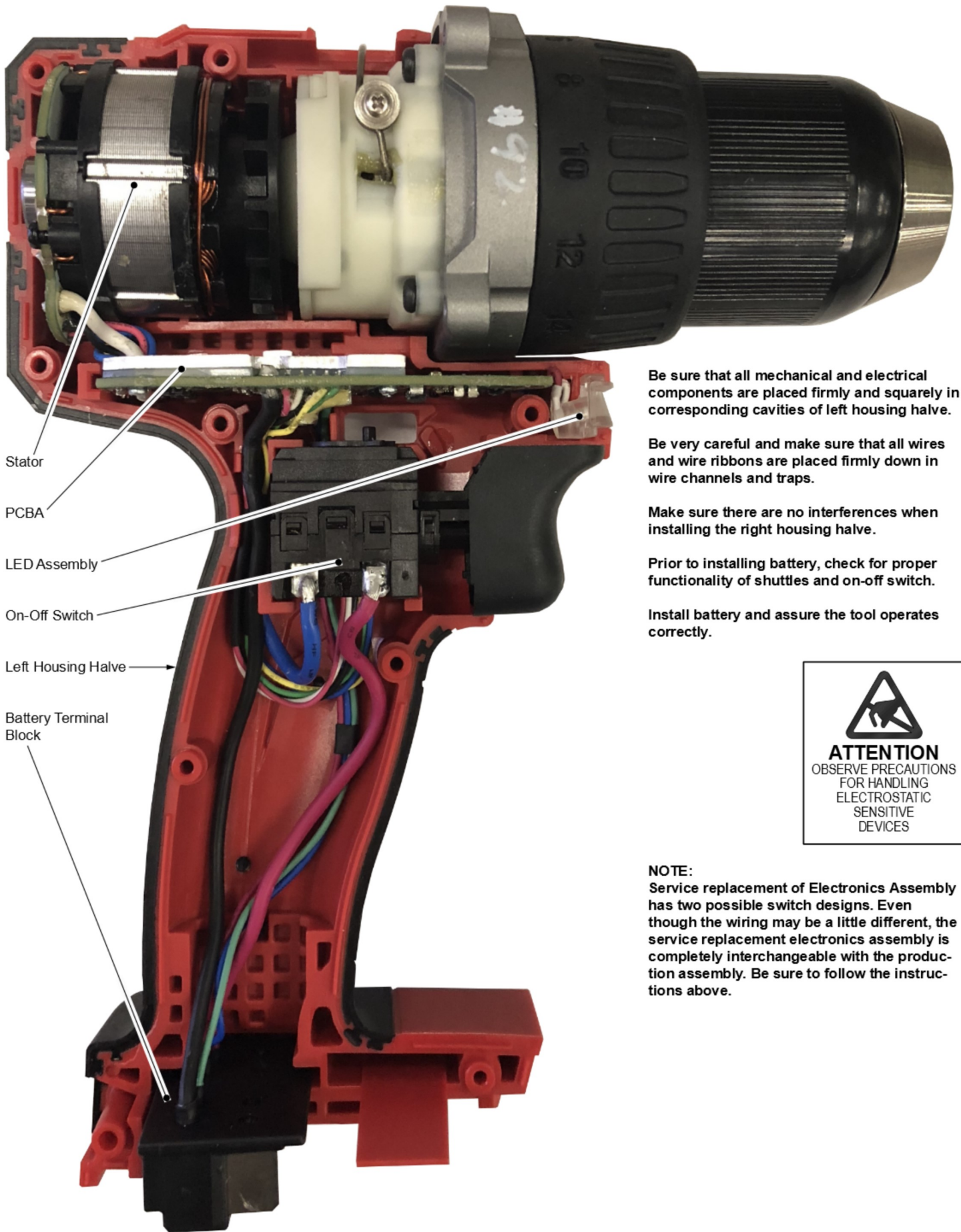
SERVICE PARTS LIST

SPECIFY CATALOG NO. AND SERIAL NO. WHEN ORDERING PARTS		REVISED BULLETIN	DATE
M18™ Compact Brushless 13mm Drill-Driver			Apr. 2018
MODEL NO. M18CBLDD-0	2801-20	WIRING INSTRUCTION SEE PAGE 2	

EXAMPLE:
 00 0 Component Parts (Small #) Are Included
 When Ordering The Assembly (Large #).



SCREW TORQUE SPECIFICATIONS			
FIG.	WHERE USED	SEAT TORQUE	
		(KG/CM)	(IN/LBS)
1	Gearbox Spindle	104-115	90-99
2	Gearbox Spindle	288-345	250-299
3	Gearbox	9-11	7-9
6	Gearbox	Lightly hand tighten	
9	Right Housing Halve	9-11	7-9
10	Right Housing Halve	9-11	7-9
14a	Belt Clip	12-16	10-12



Be sure that all mechanical and electrical components are placed firmly and squarely in corresponding cavities of left housing halve.

Be very careful and make sure that all wires and wire ribbons are placed firmly down in wire channels and traps.

Make sure there are no interferences when installing the right housing halve.

Prior to installing battery, check for proper functionality of shuttles and on-off switch.

Install battery and assure the tool operates correctly.



NOTE:
Service replacement of Electronics Assembly has two possible switch designs. Even though the wiring may be a little different, the service replacement electronics assembly is completely interchangeable with the production assembly. Be sure to follow the instructions above.