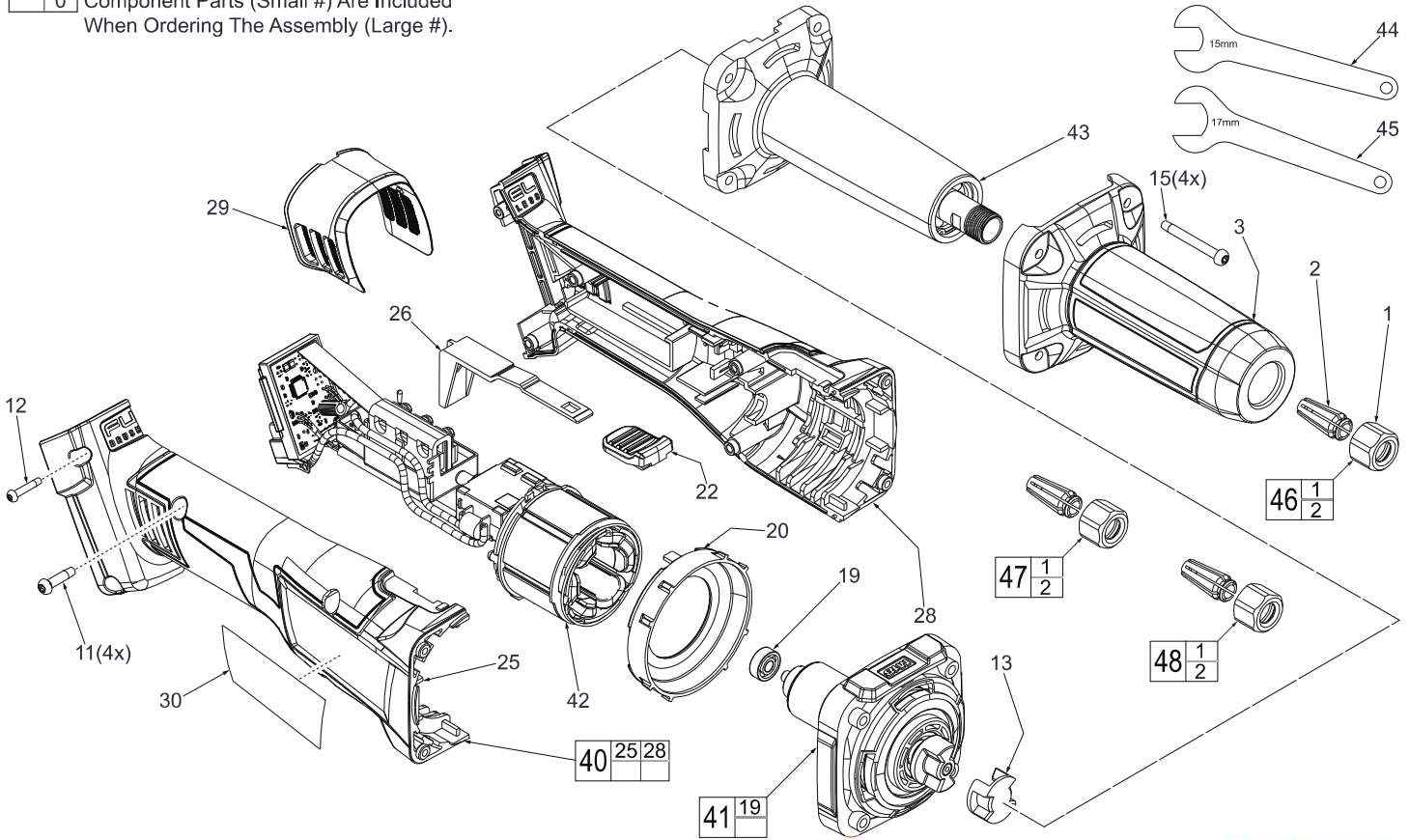




SERVICE PARTS LIST

SPECIFY CATALOG NO. AND SERIAL NO. WHEN ORDERING PARTS		REVISED BULLETIN	DATE
M18 FUEL™ Die Grinder			Nov. 2016
Model No:	M18FDG-0	WIRING INSTRUCTION	
	STARTING SERIAL NO.		

EXAMPLE:
 00 0 Component Parts (Small #) Are Included
 When Ordering The Assembly (Large #).



Prior to installing the electronics assembly (42) into the housing support (28), place grounding terminal over screw boss as shown. Route ground wire, removing as much slack as possible. Be sure wire is pressed firmly to the back of the wire traps.

Install the electronics assembly as shown. Route wires around screw bosses and into wire traps. Be sure all components are seated squarely and firmly in place. Be sure there is no interference when installing the housing cover (25).

