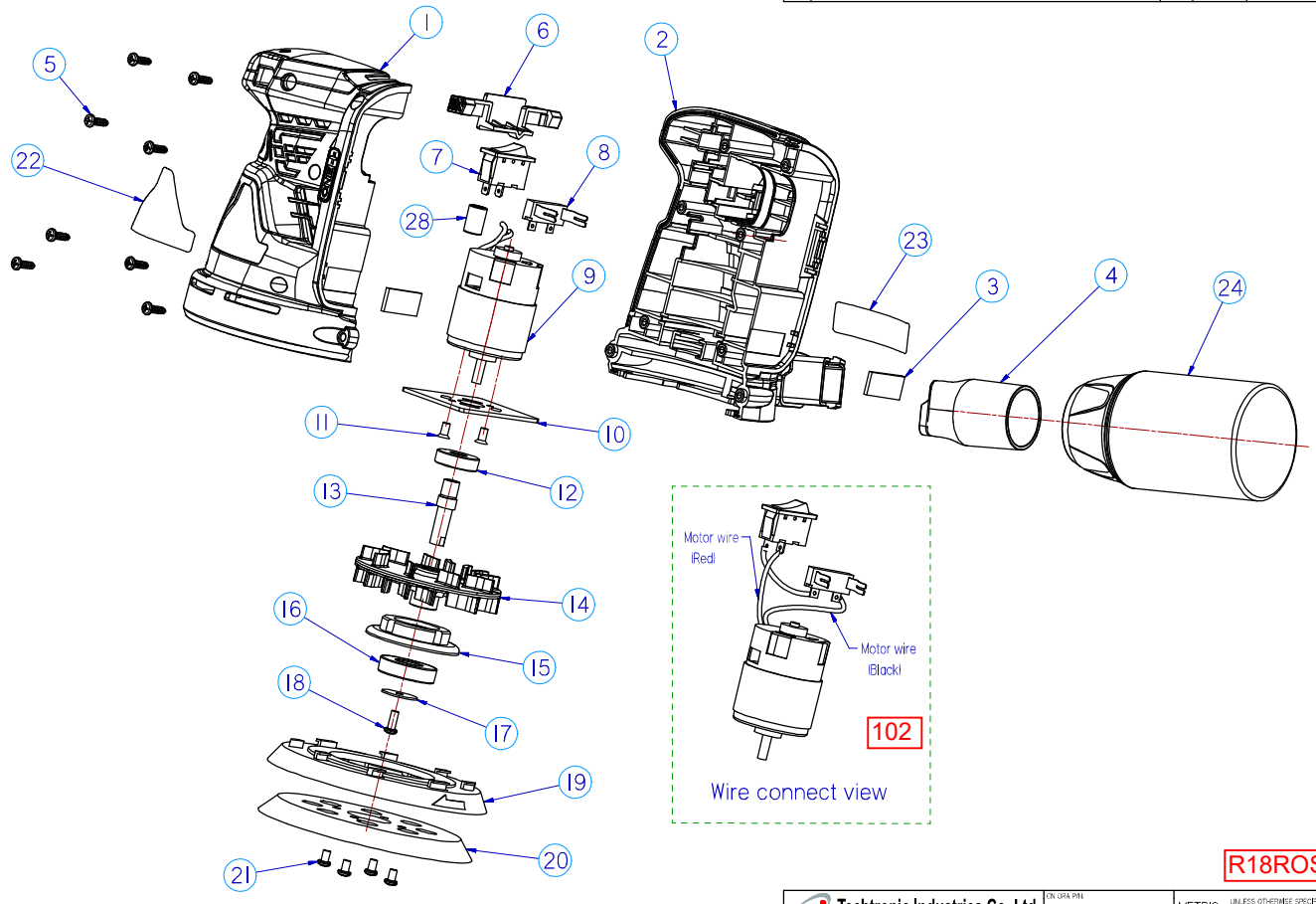


REV	CHANGE DESCRIPTION	ZONE	EC #	DATE	APV BY
A	RELEASE FOR REFERENCE			Jun15,2015	



R18ROS-0

	(UNLESS OTHERWISE SPECIFIED) DIMENSIONS ARE IN MILLIMETERS (UNLESS OTHERWISE SPECIFIED) DIMENSIONS ARE IN INCHES	ON GRAPH EC SHIP PIN	METRIC PART NAME:	UNLESS OTHERWISE SPECIFIED, DIMENSIONS ARE IN MILLIMETERS 3RD ANGLE PROJECTION
	CONFIDENTIAL 1-THIS DRAWING IS THE PROPERTY OF TECHTRONIC INDUSTRIES COMPANY LIMITED. ALL RIGHTS OF DESIGN OR INVENTION ARE RESERVED.	(DIMENSIONS AND TOLERANCES SHALL BE IN ACCORDANCE WITH THE REQUIREMENTS OF MALAYSIAN STANDARDS)	DRAWN BY: <u>Sunnyouyang</u> CHECKED BY: <u>DXJin</u>	EXPLODE DRAWING, R18ROS
WEIGHT & TOLERANCE COLOR NAME, COLOR CHIP #		DATE:	CAD TOOL: NX SCALE: 1:1 SHEET: 1 of 1 SIZE: A2	PART NO: CC00030154 REV: A