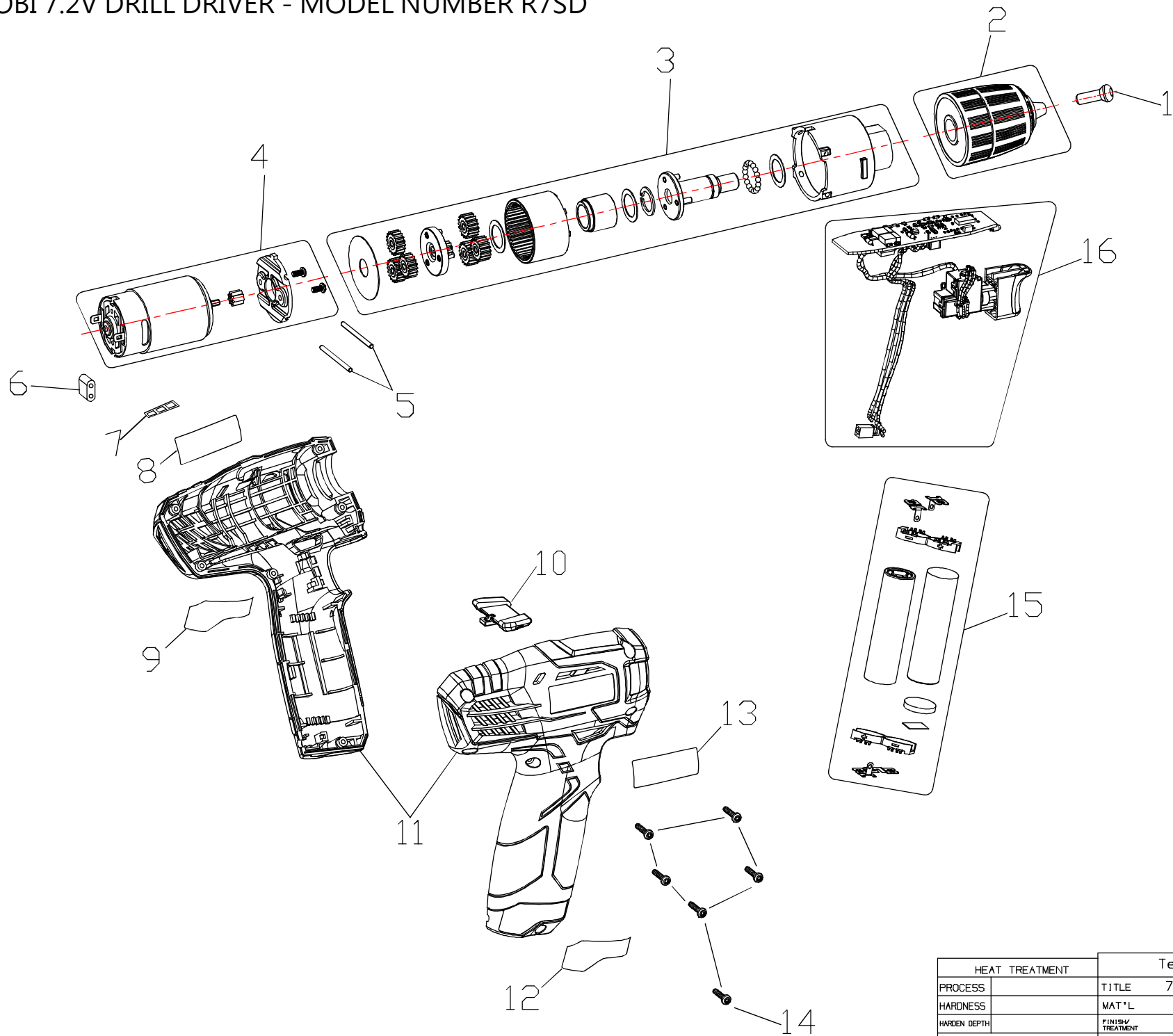


RYOBI 7.2V DRILL DRIVER - MODEL NUMBER R7SD



HEAT TREATMENT		Techtronic Industries Co. Ltd.			
PROCESS		TITLE	7.2V DRILL DRIVER	MODEL NO.	A668
HARDNESS		MAT'L		DO NOT SCALE DRAWING	SCALE 1 : 1
HARDEN DEPTH		FINISH/TREATMENT	CHK BY	ALL DIMENSIONS IN mm	SHEET OF
REFER TO TABLE FOR DETAIL TREATMENT		COLOR	APP BY	DWG FILE DWG NO	