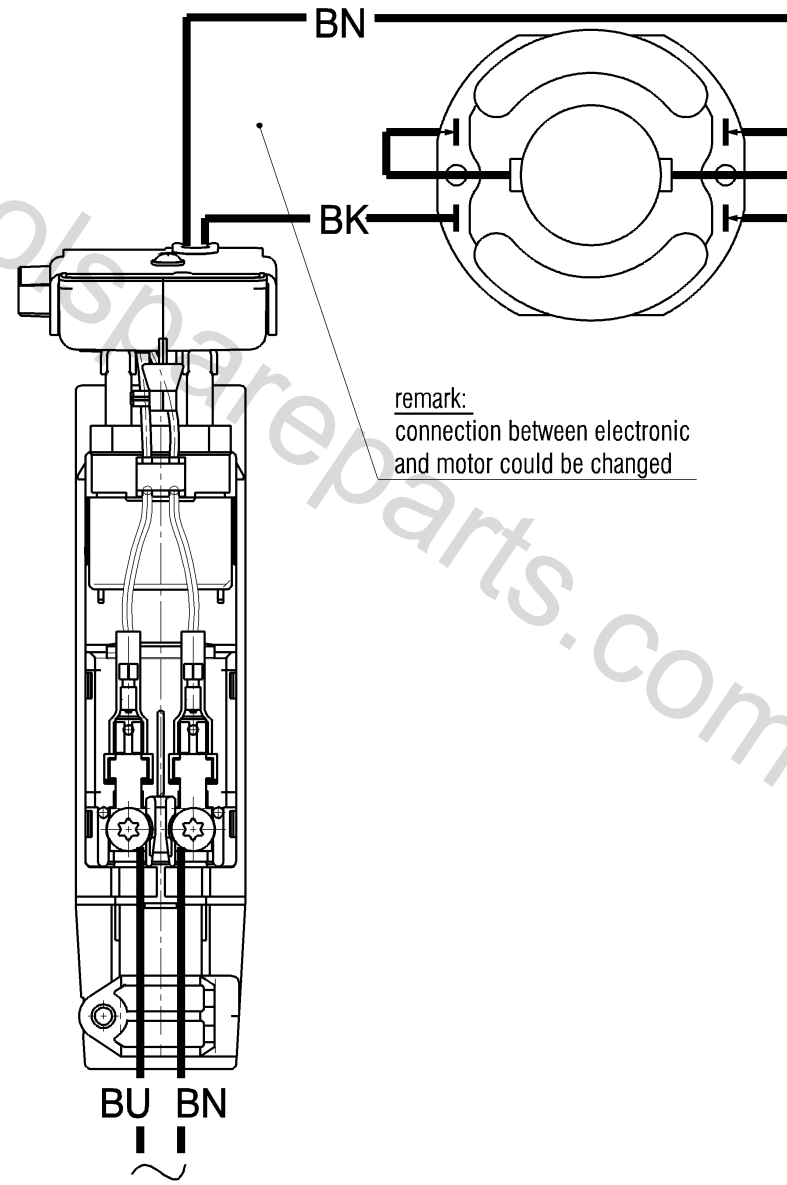


Position	Amount	Type number	Description	PG
1	1	314000960	Anti-vibration handle,M 14	28
2	1	343399790	Push button black	10
3	1	342003390	Pressure spring	10
4	1	341005830	Guide bush	15
5	1	316045500	Gear housing cpl.	36
6	1	341515430	Bolt	11
7	1	341100660	Self locking nut	14
8	1	316045520	Bevel gear	34
9	1	141123870	Washer	10
10	1	143115510	Ball bearing, 12x37x12	16
11	1	339007280	Fixed bearing cover	14
12	1	316045560	Fan w. dust guard	21
13	1	310011330	Armature compl.,230 V	45
14	1	343390630	Sealing washer	10
15	1	143113400	Ball bearing, 8x22x7	22
16	1	344094080	Rubber bearing	12
17	1	339151130	Baffle	11
18	2	141121680	Self-tap. fill. h. screw	10
19	1	311009590	Field coil	35
21	4	141119370	Self-tap. fill. h. screw	10
22	1	141122020	Fillister head screw	10
23	1	141119850	Fillister head screw	10
24	2	339011810	Gasket	10
25	1	316045540	Gear flange cpl.	32
29	1	141181500	Circlip	10
30	1	341604130	Spindle shaft	28
31	1	316027620	QUICK NUT	30
32	1	341148160	Autobalancer	38
34	2	341702050	Screw	10
35	2	343395530	Brush holder cover	10
36	1	316045570	Carbon brush set,230 V	24
37	2	343000950	Brush guide	19
38	8	141116020	Self-tap fill h screw	12
39	1	343399760	Handle upper+lower part	20
40	1	339007320	Retaining sheet	12
41	1	343399800	Edge protection	10
42	1	316055600	Electronic switch set,Defond 230V	38
43	1	339127730	Cable clip	10
44	1	344094550	Cable sleeve	13
45	1	344490850	Cable with plug	27
46	1	315013300	Motor housing	25

47	1	338063310	Rating plate	10
48	1	343397490	Damper	20
49	1	343395520	Locking lever	12
50	1	342002170	Pressure spring	10
52	1	141116800	Self-tap. fill. h. screw	10
88	1	341006090	Spacer bush	10
89	1	141111340	Cap screw	10
880	1	344130910	Grease 100G	24
1001	1	338505670	Verdrahtungsplan	

www.metaspareparts.com.au



remark:
connection between electronic
and motor could be changed