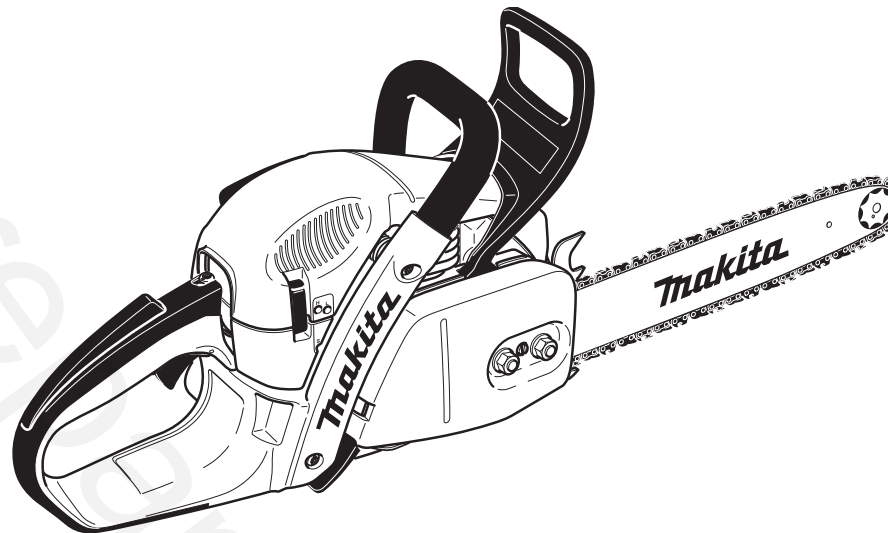




Spare Parts List
Ersatzteilliste
Liste de pièces détachées
Lista de piezas de repuesto

2013-06



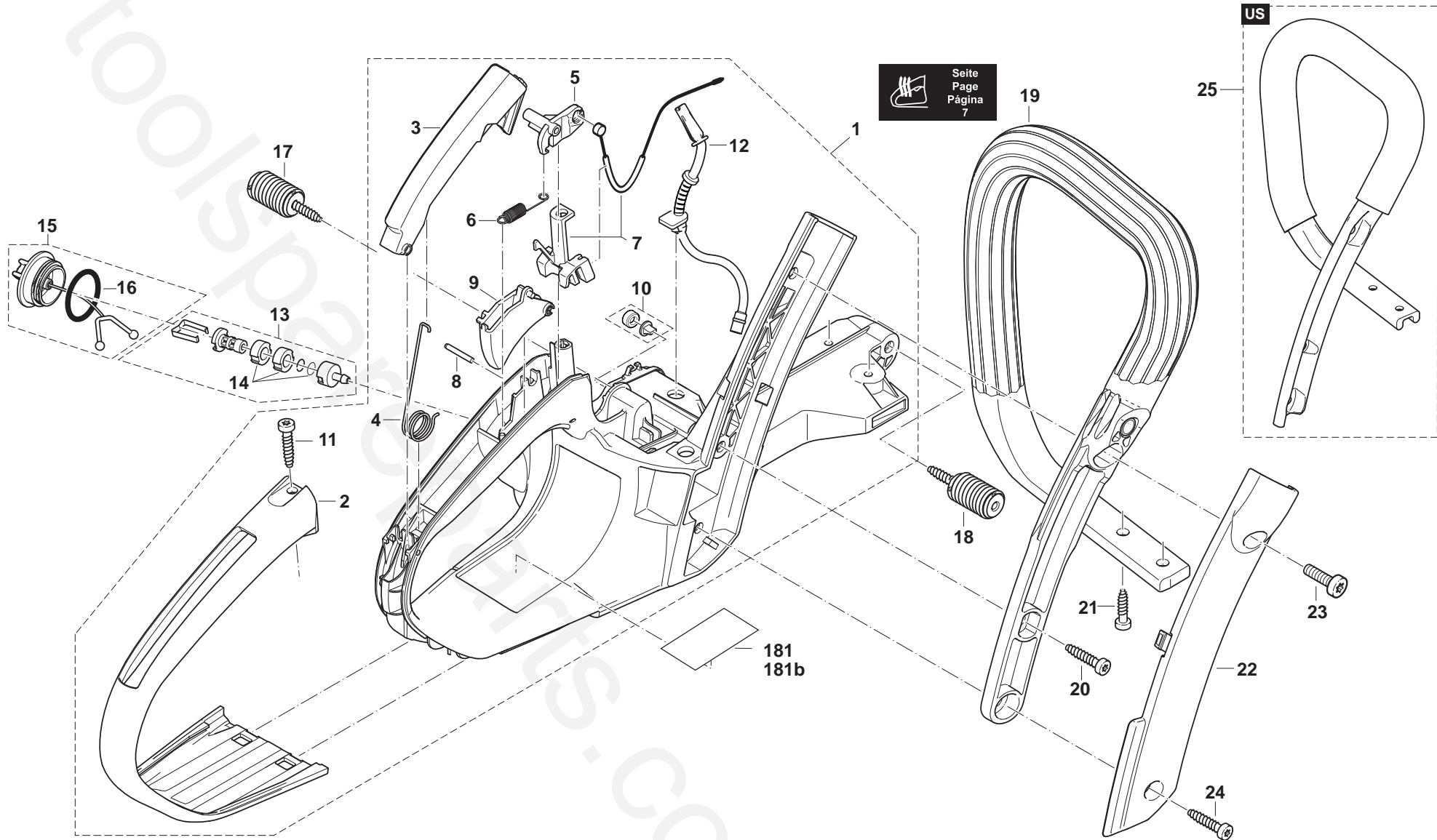
DCS460
DCS461
DCS500
DCS501
DCS4600S
DCS4600SH
DCS5000
DCS5000H
DCS5001
DCS5001H
DCS5121
DCS460 (USA)
DCS510 (USA)
DCS5121 (USA)
DE5045

995700548 (D, GB, F, E)

DCS460, DCS461, DCS500, DCS501,
DCS4600S, DCS4600SH, DCS5000,
DCS5000H, DCS5001, DCS5001H, DCS5121,
DCS460, DCS510, DCS5121, DE5045

1

Kraftstofftank, Bügelgriff
Fuel tank, tubular grip
Réserv. carburant, poignée tubulaire
Depósito de combustible, mango tubular



DCS460, DCS461, DCS500, DCS501,
DCS4600S, DCS4600SH, DCS5000,
DCS5000H, DCS5001, DCS5001H, DCS5121,
DCS460, DCS510, DCS5121, DE5045

1

Kraftstofftank, Bügelgriff
Fuel tank, tubular grip
Réserv. carburant, poignée tubulaire
Depósito de combustible, mango tubular



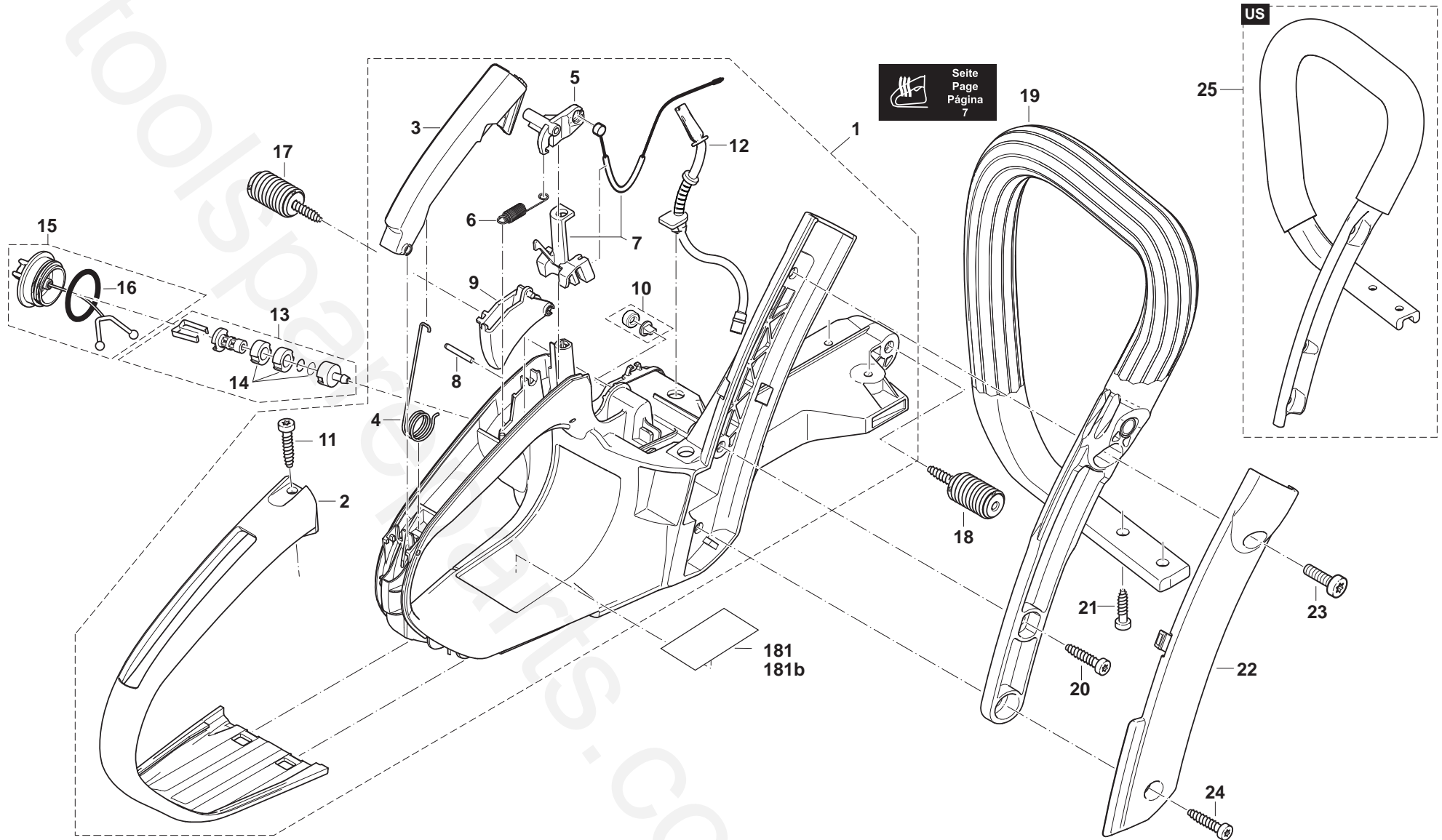
| Seite / Page | Pos. | DCS460 | DCS461 | DCS500 | DCS501 | DCS4600S | DCS4600SH | DCS5000 | DCS5000H | DCS5001 | DCS5001H | DCS5121 | DCS460 (USA) | DCS510 (USA) | DCS5121 (USA) | DE5045 | Teil-Nr. Part No. No. de pièce No. de pieza | Hinweise Notes Renseign. Nota | Bezeichnung | Spezifikation Specification | Description | Désignation | Denominación |
|--------------|------|--------|--------|--------|--------|----------|-----------|---------|----------|---------|----------|---------|--------------|--------------|---------------|--------|--|--|--|--------------------------------|---------------------------------|-------------------------------|---------------------------------|
| 1 | 1 | 1 | 1 | 1 | 1 | 1 | 1 | 1 | 1 | 1 | 1 | 1 | | | | 1 | 181 114 605 | | KRAFTSTOFFTANK BLAU KPL. | | FUEL TANK CPL. BLUE | RÉSERVOIR CPL. BLEU | DEPÓSITO CPL. AZUL |
| 1 | 1 | | | | | | | | | | | | 1 | 1 | 1 | | 181 114 720 | | KRAFTSTOFFTANK BLAU KPL. | USA (EPA), INCL.181b | TANK CPL. BLUE | RÉSERVOIR CPL. BLEU | DEPÓSITO CPL. AZUL |
| 1 | 2 | 1 | 1 | 1 | 1 | 1 | 1 | 1 | 1 | 1 | 1 | 1 | 1 | 1 | 1 | 1 | 181 117 050 | | GRIFFOBERSCHALE SCHWARZ | | GRIP OUTER SHELL, BLACK | COQUILLE DE POIGNÉE SUPÉR. | CUBIERTA SUPER. EMPUÑADURA |
| 1 | 3 | 1 | 1 | 1 | 1 | 1 | 1 | 1 | 1 | 1 | 1 | 1 | 1 | 1 | 1 | 1 | 181 117 132 | | SICHERHEITSSPERRTAS TE | | CATCH LEVER | LEVIER DE VERROUILLAGE | PALANCA TRINCADA |
| 1 | 4 | 1 | 1 | 1 | 1 | 1 | 1 | 1 | 1 | 1 | 1 | 1 | 1 | 1 | 1 | 1 | 181 117 031 | | DREHFEDER FÜR SPERRTASTE | | SPRING | RESSORT | RESORTE |
| 1 | 5 | 1 | 1 | 1 | 1 | 1 | 1 | 1 | 1 | 1 | 1 | 1 | 1 | 1 | 1 | 1 | 181 117 081 | | UMLENKHEBEL | | ROCKER | LEVIER DE RENVOI | PALANCA DE CAMBIO |
| 1 | 6 | 1 | 1 | 1 | 1 | 1 | 1 | 1 | 1 | 1 | 1 | 1 | 1 | 1 | 1 | 1 | 181 117 111 | | ZUGFEDER FÜR UMLENKHEBEL | | SPRING | RESSORT | RESORTE |
| 1 | 7 | 1 | 1 | 1 | 1 | 1 | 1 | 1 | 1 | 1 | 1 | 1 | 1 | 1 | 1 | 1 | 010 117 050 | TI 2005/13 | UMBAUSATZ | INCL. 30 | MODIFICATION SET | JEU DE MODIFICATION | JUEGO DE MODIFICACIÓN |
| 1 | 8 | 1 | 1 | 1 | 1 | 1 | 1 | 1 | 1 | 1 | 1 | 1 | 1 | 1 | 1 | 1 | 935 930 240 | | ZYLINDERSTIFT | 3x24 | CYLINDRICAL PIN | GOUPILLE CYL. | PRISIONERO |
| 1 | 9 | 1 | 1 | 1 | 1 | 1 | 1 | 1 | 1 | 1 | 1 | 1 | 1 | 1 | 1 | 1 | 181 117 121 | 2006-09 => | GASHEBEL | | THROTTLE LEVER | LEVIER D' ACCÉLÉRRATION | ACELERADOR |
| 1 | 9 | 1 | 1 | 1 | 1 | 1 | 1 | 1 | 1 | 1 | 1 | 1 | 1 | 1 | 1 | 1 | 181 117 120 | => 2006-08 | GASHEBEL | | THROTTLE LEVER | LEVIER D' ACCÉLÉRRATION | ACELERADOR |
| 1 | 10 | 1 | 1 | 1 | 1 | 1 | 1 | 1 | 1 | 1 | 1 | 1 | 1 | 1 | 1 | 1 | 957 114 061 | | BELÜFTUNGSVENTIL KPL. | | AIR VALVE CPL. | SOUPAPE D'AERATION CPL. | VÁLVULA VENTILACION CPL. |
| 1 | 11 | 1 | 1 | 1 | 1 | 1 | 1 | 1 | 1 | 1 | 1 | 1 | 1 | 1 | 1 | 1 | 913 455 204 | | SCHRAUBE | 5,5x20 | SCREW | VIS | TORNILLO |
| 1 | 12 | 1 | 1 | 1 | 1 | 1 | 1 | 1 | 1 | 1 | 1 | 1 | 1 | 1 | 1 | 1 | 181 114 065 | | KRAFTSTOFFLEITUNG | EPA code | FUEL LINE | CONDUITE CARB. | TUBO COMB. |
| 1 | 13 | 1 | 1 | 1 | 1 | 1 | 1 | 1 | 1 | 1 | 1 | 1 | 1 | 1 | 1 | 1 | 010 114 010 | | SAUGKOPF KPL. | | SUCTION HEAD | TETE D'ASPIRATION | CABEZA DE ASPIRACION |
| 1 | 13 | 1 | 1 | 1 | 1 | 1 | 1 | 1 | 1 | 1 | 1 | 1 | 1 | 1 | 1 | 1 | 320 163 447 | | BENZINFILTER | | FUEL FILTER | FILTRE D'ESSENCE | FILTRO DE GASOLINA |
| 1 | 14 | 1 | 1 | 1 | 1 | 1 | 1 | 1 | 1 | 1 | 1 | 1 | 1 | 1 | 1 | 1 | 010 114 020 | | REPARATUR-SATZ, FILTER (JE 5 STCK.) | for 010114010 | REP. KIT, FILTER (5 OF EACH) | JEU DE RÉPARAT., FILTRE | JUEGO DE REPARAR, FILTRO |
| 1 | 15 | 1 | 1 | 1 | 1 | 1 | 1 | 1 | 1 | 1 | 1 | 1 | 1 | 1 | 1 | 1 | 181 114 202 | | TANKDECKEL KPL. | | TANK CAP CPL. | BOUCHON RESERVOIR CPL. | TORNILLO DE CIERRE CPL. |
| 1 | 16 | 1 | 1 | 1 | 1 | 1 | 1 | 1 | 1 | 1 | 1 | 1 | 1 | 1 | 1 | 1 | 963 229 036 | | O-RING | 29,3X3,6 | PACKING RING | BAGUE-JOINT | ANILLO DE GUARNICION |
| 1 | 17 | 1 | 1 | 1 | 1 | 1 | 1 | 1 | 1 | 1 | 1 | 1 | 1 | 1 | 1 | 1 | 181 114 301 | | DÄMPFUNGSFEDER KPL. | | DAMPING SPRING, CPL. | RESSORT D'AMORTISS. CPL. | MUELLE DE AMORTIGUACIÓN CPL. |
| 1 | 18 | 1 | 1 | 1 | 1 | 1 | 1 | 1 | 1 | 1 | 1 | 1 | 1 | 1 | 1 | 1 | 181 114 301 | | DÄMPFUNGSFEDER KPL. | | DAMPING SPRING, CPL. | RESSORT D'AMORTISS. CPL. | MUELLE DE AMORTIGUACIÓN CPL. |
| 1 | 19 | 1 | 1 | 1 | 1 | 1 | 1 | 1 | 1 | 1 | 1 | 1 | 1 | 1 | 1 | 1 | 181 310 200 | | BÜGELGRIFF | Kst. | TUBULAR HANDLE | POIGNÉE TUBULAIRE | MANGO TUBULAR |
| 1 | 20 | 1 | 1 | 1 | 1 | 1 | 1 | 1 | 1 | 1 | 1 | 1 | 1 | 1 | 1 | 1 | 913 455 204 | | SCHRAUBE | 5,5x20 | SCREW | VIS | TORNILLO |
| 1 | 21 | 2 | 2 | 2 | 2 | 2 | 2 | 2 | 2 | 2 | 2 | 2 | 2 | 2 | 2 | 2 | 913 455 164 | | INNENSTERN SCHRAUBE | 5,5X16 | SCREW | VIS | TORNILLO |
| 1 | 22 | 1 | 1 | 1 | 1 | 1 | 1 | 1 | 1 | 1 | 1 | 1 | 1 | 1 | 1 | 1 | 181 114 652 | | ABDECKUNG SEITENSTREBE BLAU | MAKITA | COVER | COUVERCLE | CUBIERTA |

DCS460, DCS461, DCS500, DCS501,
DCS4600S, DCS4600SH, DCS5000,
DCS5000H, DCS5001, DCS5001H, DCS5121,
DCS460, DCS510, DCS5121, DE5045

1

Kraftstofftank, Bügelgriff
Fuel tank, tubular grip
Réserv. carburant, poignée tubulaire
Depósito de combustible, mango tubular

Makita[®]



DCS460, DCS461, DCS500, DCS501,
DCS4600S, DCS4600SH, DCS5000,
DCS5000H, DCS5001, DCS5001H, DCS5121,
DCS460, DCS510, DCS5121, DE5045

1

Kraftstofftank, Bügelgriff
Fuel tank, tubular grip
Réserv. carburant, poignée tubulaire
Depósito de combustible, mango tubular

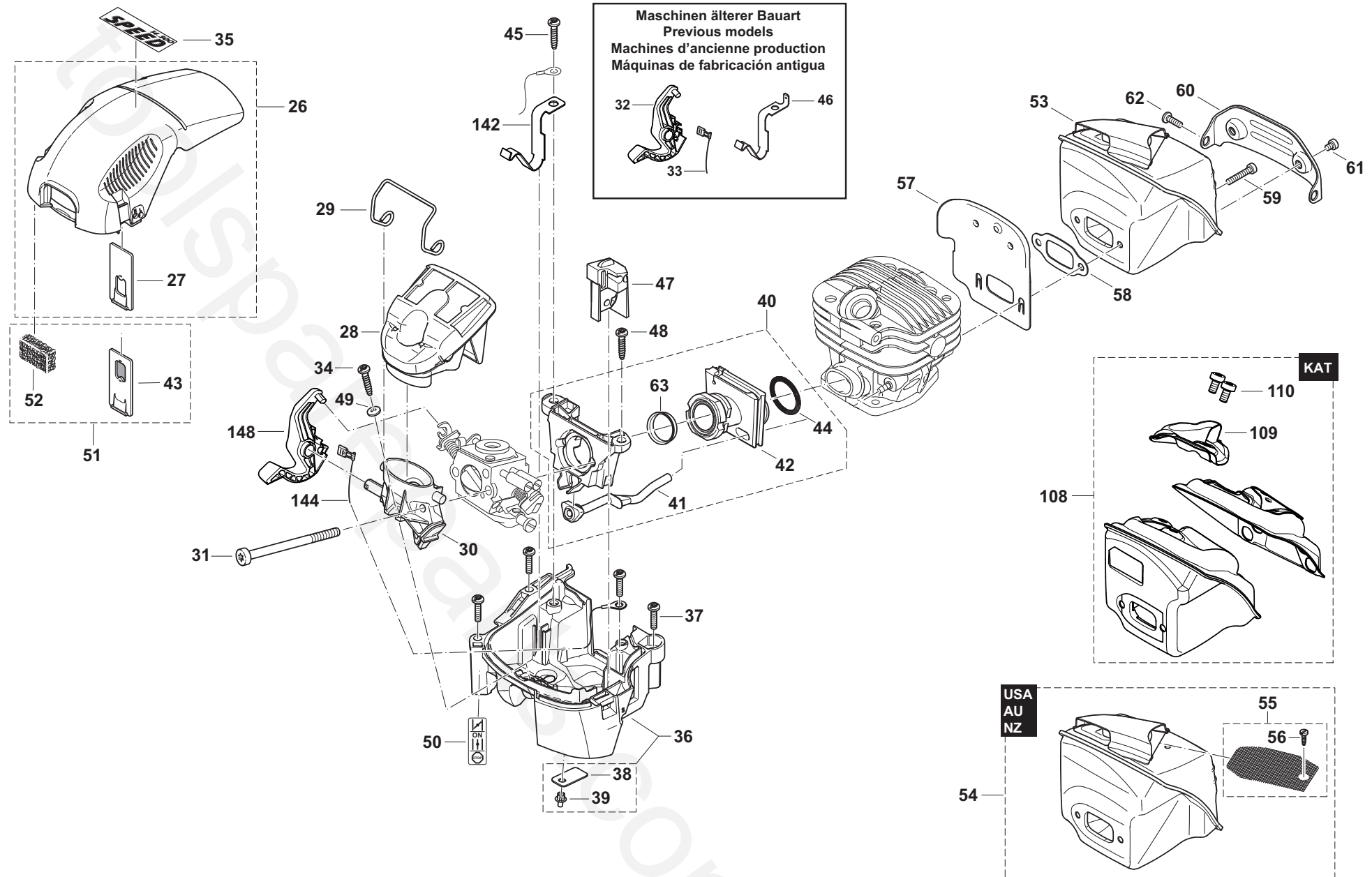


| Seite / Page | Pos. | DCS460 | DCS461 | DCS500 | DCS501 | DCS4600S | DCS4600SH | DCS5000 | DCS5000H | DCS5001 | DCS5001H | DCS5121 | DCS460 (USA) | DCS510 (USA) | DCS5121 (USA) | DE5045 | Teil-Nr. Part No. No. de pièce No. de pieza | Hinweise Notes Renseign. Nota | Bezeichnung | Spezifikation Specification | Description | Désignation | Denominación |
|--------------|------|--------|--------|--------|--------|----------|-----------|---------|----------|---------|----------|---------|--------------|--------------|---------------|--------|--|--|--------------------------|--------------------------------|----------------|-------------------|-------------------------|
| 1 | 23 | 1 | 1 | 1 | 1 | 1 | 1 | 1 | 1 | 1 | 1 | 1 | 1 | 1 | 1 | 1 | 908 006 205 | | INNENSTERN-SCHRAUB E | M6x20 | SCREW | VIS | TORNILLO |
| 1 | 24 | 1 | 1 | 1 | 1 | 1 | 1 | 1 | 1 | 1 | 1 | 1 | 1 | 1 | 1 | 1 | 913 455 204 | | SCHRAUBE | 5,5x20 | SCREW | VIS | TORNILLO |
| 1 | 25 | | | | | | | | | | | | | 1 | 1 | | 181 310 250 | USA | BÜGELGRIFF | AI | TUBULAR HANDLE | POIGNÉE TUBULAIRE | MANGO TUBULAR |
| 1 | 181 | | | | | | | | | | | | | | | 1 | 980 115 253 | | SICHERHEITSAUFKLEBE R | J | CAUTION LABEL | PLAQUE | CALCOMANIA |
| 1 | 181b | | | | | | | | | | | | 1 | 1 | 1 | | | | AUFKLEBER TANK | USA - EVAPORATION MAKITA | LABEL, TANK | PLAQUE, RÉSERVOIR | CALCOMANIA, DEPÓSITO |

DCS460, DCS461, DCS500, DCS501,
 DCS4600S, DCS4600SH, DCS5000,
 DCS5000H, DCS5001, DCS5001H, DCS5121,
 DCS460, DCS510, DCS5121, DE5045

2

Abdeckhaube, Luftfilter, Schalldämpfer
 Hood, air filter, muffler
 Capot protecteur, filtre à air, pot d'échappement
 Cubierta protectora, filtro de aire, silencioso



DCS460, DCS461, DCS500, DCS501,
DCS4600S, DCS4600SH, DCS5000,
DCS5000H, DCS5001, DCS5001H, DCS5121,
DCS460, DCS510, DCS5121, DE5045

2

Abdeckhaube, Luftfilter, Schalldämpfer
Hood, air filter, muffler
Capot protecteur, filtre à air, pot d'échappement
Cubierta protectora, filtro de aire, silencioso

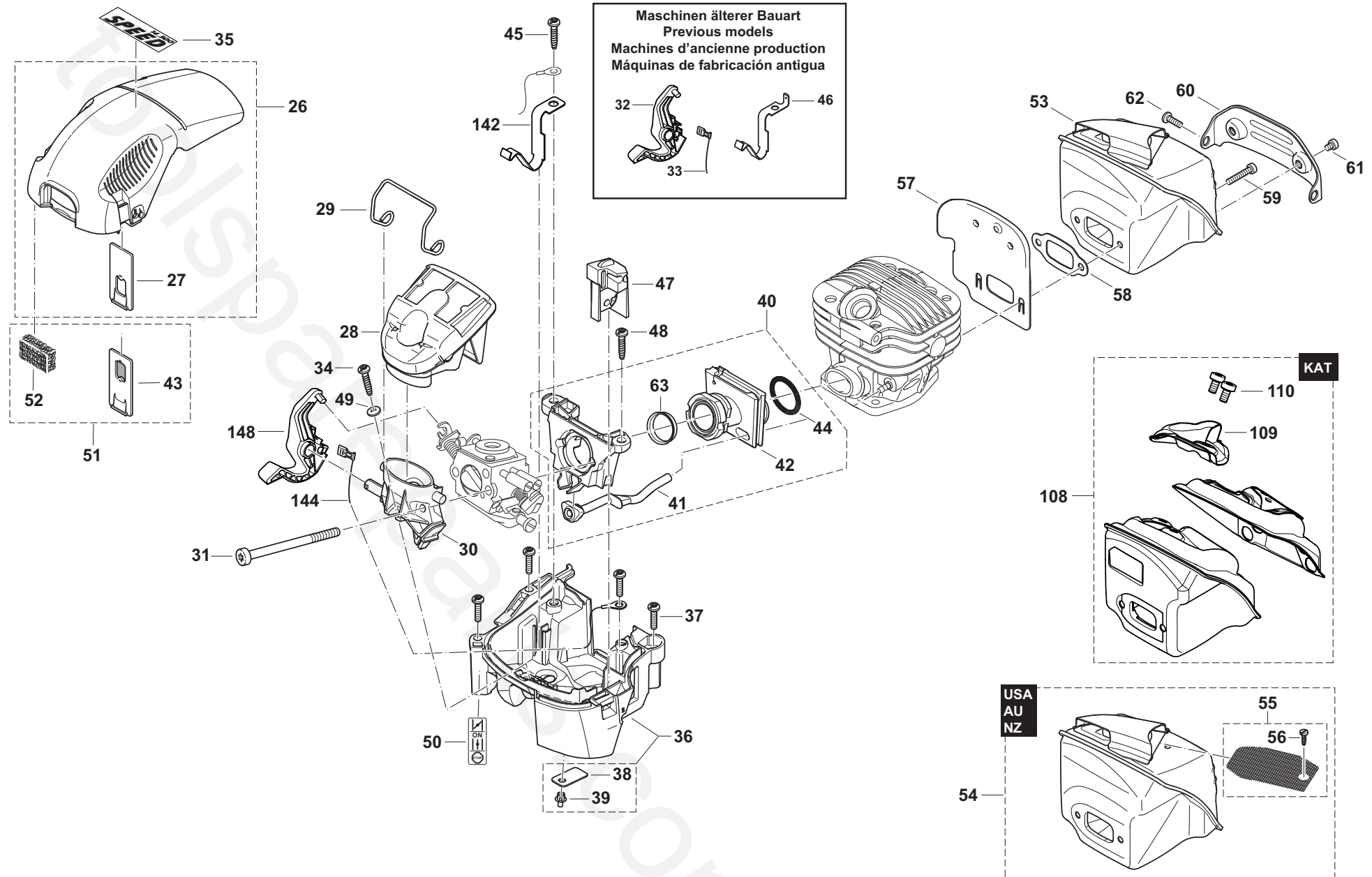


| Seite / Page | Pos. | DCS460 | DCS461 | DCS500 | DCS501 | DCS4600S | DCS4600SH | DCS5000 | DCS5000H | DCS5001 | DCS5001H | DCS5121 | DCS460 (USA) | DCS510 (USA) | DCS5121 (USA) | DE5045 | Teil-Nr. Part No. No. de pièce No. de pieza | Hinweise Notes Renseign. Nota | Bezeichnung | Spezifikation Specification | Description | Désignation | Denominación |
|--------------|------|--------|--------|--------|--------|----------|-----------|---------|----------|---------|----------|---------|--------------|--------------|---------------|--------|--|--|-----------------------------------|--------------------------------|-----------------------|-------------------------------|---------------------------|
| 2 | 26 | 1 | 1 | 1 | 1 | 1 | 1 | 1 | 1 | 1 | 1 | 1 | | | | | 181 118 261 | | ABDECKHAUBE ROT KPL. | KAT TR (INT / RUS) | HOOD CPL. RED | CAPOT PROT. CPL. ROUGE | TAPA PROT. CPL. ROJO |
| 2 | 26 | 1 | 1 | 1 | 1 | 1 | 1 | 1 | 1 | 1 | 1 | 1 | 1 | 1 | 1 | 1 | 181 118 620 | => 2012-03 | ABDECKHAUBE GRAU KPL. | KAT | HOOD CPL. GREY | CAPOT PROT. CPL. GRIS | TAPA PROT. CPL. GRIS |
| 2 | 26 | 1 | 1 | 1 | 1 | 1 | 1 | 1 | 1 | 1 | 1 | 1 | 1 | 1 | 1 | 1 | 181 118 621 | 2012-04 => | ABDECKHAUBE GRAU KPL. | KAT TR | HOOD CPL. GREY | CAPOT PROT. CPL. GRIS | TAPA PROT. CPL. GRIS |
| 2 | 27 | 1 | 1 | 1 | 1 | 1 | 1 | 1 | 1 | 1 | 1 | 1 | 1 | 1 | 1 | 1 | 181 118 060 | | EINSATZ | SO/WI | INSERT | PIÈCE D' INSERTION | PIEZA DE CIERRE |
| 2 | 28 | 1 | 1 | 1 | 1 | 1 | 1 | 1 | 1 | 1 | 1 | 1 | 1 | 1 | 1 | 1 | 181 173 090 | | LUFTFILTER KPL. | NYLON | AIR FILTER ASS'Y | FILTRE À AIR CPL. | FILTRO DE AIRE CPL. |
| 2 | 28 | 1 | 1 | 1 | 1 | 1 | 1 | 1 | 1 | 1 | 1 | 1 | | | | 1 | 181 173 240 | | LUFTFILTER KPL., FEIN | NYLON | AIR FILTER CPL., FINE | FILTRE À AIR CPL., TRÈS FIN | FILTRO DE AIRE CPL., FINO |
| 2 | 28 | 1 | 1 | 1 | 1 | 1 | 1 | 1 | 1 | 1 | 1 | 1 | | | | 1 | 181 173 190 | | LUFTFILTER KPL. | VLIES | AIR FILTER ASS'Y | FILTRE À AIR CPL. | FILTRO DE AIRE CPL. |
| 2 | 28 | | | | | | | | | | | | | | 1 | | 181 173 180 | | LUFTFILTER KPL. | VLIES (USA) | AIR FILTER ASS'Y | FILTRE À AIR CPL. | FILTRO DE AIRE CPL. |
| 2 | 29 | 1 | 1 | 1 | 1 | 1 | 1 | 1 | 1 | 1 | 1 | 1 | 1 | 1 | 1 | 1 | 181 171 050 | | KLAMMER FÜR LUFTFILTER | | CLIP FOR AIR FILTER | BRIDE DE FIX. P. FILTRE À AIR | GRAPA PARA FILTRO DE AIRE |
| 2 | 30 | 1 | 1 | 1 | 1 | 1 | 1 | 1 | 1 | 1 | 1 | 1 | 1 | 1 | 1 | 1 | 010 117 050 | TI 2005/13 | UMBAUSATZ | INCL. 7 | MODIFICATION SET | JEU DE MODIFICATION | JUEGO DE MODIFICACIÓN |
| 2 | 31 | 2 | 2 | 2 | 2 | 2 | 2 | 2 | 2 | 2 | 2 | 2 | 2 | 2 | 2 | 2 | 908 505 555 | | SCHRAUBE INNEN6RD ZK | M5x55 | H.L. SOCKET HEAD BOLT | VIS | TORNILLO |
| 2 | 32 | 1 | 1 | 1 | 1 | 1 | 1 | 1 | 1 | 1 | 1 | 1 | 1 | 1 | 1 | 1 | 181 155 020 | | CHOKE/EIN/AUS-HEBEL | | CHOKE ON/OFF SWITCH | STARTER/LEVIER MARCHE-ARRÊT | PALANCA ON/OFF / STARTER |
| 2 | 33 | 1 | 1 | 1 | 1 | 1 | 1 | 1 | 1 | 1 | 1 | 1 | 1 | 1 | 1 | 1 | 970 311 550 | | MASSELEITUNG | Messing, Brass | EARTH CABLE | FIL DE MASSE | CONDUCCIÓN A MASA |
| 2 | 34 | 1 | 1 | 1 | 1 | 1 | 1 | 1 | 1 | 1 | 1 | 1 | 1 | 1 | 1 | 1 | 913 455 164 | | INNENSTERN SCHRAUBE | 5,5X16 | SCREW | VIS | TORNILLO |
| 2 | 35 | | | | | 1 | 1 | | | | | | | | | | 980 115 154 | | SCHILD, SCHWARZ | SPEED | LABEL, BLACK | PLAQUE | CALCOMANIA |
| 2 | 36 | 1 | 1 | 1 | 1 | 1 | 1 | 1 | 1 | 1 | 1 | 1 | 1 | 1 | 1 | 1 | 181 131 603 | | VERGASERBODEN BLAU KPL. | | BOTTOM BLUE | FOND BLEU | FONDO AZUL |
| 2 | 37 | 4 | 4 | 4 | 4 | 4 | 4 | 4 | 4 | 4 | 4 | 4 | 4 | 4 | 4 | 4 | 908 805 205 | | ZYLINDERSCHRAUBE MIT SPANNSCHEIBE | M5X20 | SCREW | VIS | TORNILLO |
| 2 | 38 | 1 | 1 | 1 | 1 | 1 | 1 | 1 | 1 | 1 | 1 | 1 | 1 | 1 | 1 | 1 | 038 118 110 | | GUMMIKLAPPE | | RUBBER FLAP | CLAPET CAOUTCHOUC | VÁLVULA DE GOMA |
| 2 | 39 | 1 | 1 | 1 | 1 | 1 | 1 | 1 | 1 | 1 | 1 | 1 | 1 | 1 | 1 | 1 | 938 650 062 | | SPREIZNIET | | RIVET | RIVET | REMACHE |
| 2 | 40 | 1 | 1 | 1 | 1 | 1 | 1 | 1 | 1 | 1 | 1 | 1 | 1 | 1 | 1 | 1 | 181 171 150 | | VERGASERFLANSCH KPL. | | FLANGE KPL. | BRIDE CPL. | BRIDA CPL. |
| 2 | 41 | 1 | 1 | 1 | 1 | 1 | 1 | 1 | 1 | 1 | 1 | 1 | 1 | 1 | 1 | 1 | 181 131 090 | | IMPULSSCHLAUCH | | TUBE | GAINÉ | TUBO |
| 2 | 42 | 1 | 1 | 1 | 1 | 1 | 1 | 1 | 1 | 1 | 1 | 1 | 1 | 1 | 1 | 1 | 181 131 040 | | ANSAUGSCHLAUCH | | SUCTION HOSE | TUYAU D' ASPIRATION | TUBO DE ASPIRACIÓN |
| 2 | 43 | 1 | 1 | 1 | 1 | 1 | 1 | 1 | 1 | 1 | 1 | 1 | 1 | 1 | 1 | 1 | 181 118 160 | | EINSATZ SO/WI (SCHNEE) | | INSERT (SNOW) | PIÈCE D' INSERTION (NEIGE) | PIEZA DE CIERRE (NIEVE) |
| 2 | 44 | 1 | 1 | 1 | 1 | 1 | 1 | 1 | 1 | 1 | 1 | 1 | 1 | 1 | 1 | 1 | 181 131 070 | | RINGFEDER | | ANNULAR SPRING | RESSORT ANNULAIRE | MUELLE DE ANILLO |
| 2 | 45 | 1 | 1 | 1 | 1 | 1 | 1 | 1 | 1 | 1 | 1 | 1 | 1 | 1 | 1 | 1 | 913 455 164 | | INNENSTERN SCHRAUBE | 5,5X16 | SCREW | VIS | TORNILLO |
| 2 | 46 | 1 | 1 | 1 | 1 | 1 | 1 | 1 | 1 | 1 | 1 | 1 | 1 | 1 | 1 | 1 | 181 155 010 | | KONTAKTFEDER | | CONTACT SPRING | RESSORT DE CONTACT | RESORTE DE CONTACTO |
| 2 | 47 | 1 | 1 | 1 | 1 | 1 | 1 | 1 | 1 | 1 | 1 | 1 | 1 | 1 | 1 | 1 | 181 155 030 | => 2012-03 | VERGASER-EINSTELLFÜHRUNG | | ADJUSTING GUIDE | GUIDAGE D' AJUSTAGE | GUÍA DE AJUSTE |
| 2 | 47 | 1 | 1 | 1 | 1 | 1 | 1 | 1 | 1 | 1 | 1 | 1 | 1 | 1 | 1 | 1 | 181 155 080 | 2012-04 => | FÜHRUNG | | GUIDE | GUIDAGE | GUÍA |

DCS460, DCS461, DCS500, DCS501,
 DCS4600S, DCS4600SH, DCS5000,
 DCS5000H, DCS5001, DCS5001H, DCS5121,
 DCS460, DCS510, DCS5121, DE5045

2

Abdeckhaube, Luftfilter, Schalldämpfer
 Hood, air filter, muffler
 Capot protecteur, filtre à air, pot d'échappement
 Cubierta protectora, filtro de aire, silencioso



DCS460, DCS461, DCS500, DCS501,
DCS4600S, DCS4600SH, DCS5000,
DCS5000H, DCS5001, DCS5001H, DCS5121,
DCS460, DCS510, DCS5121, DE5045

2

Abdeckhaube, Luftfilter, Schalldämpfer
Hood, air filter, muffler
Capot protecteur, filtre à air, pot d'échappement
Cubierta protectora, filtro de aire, silencioso



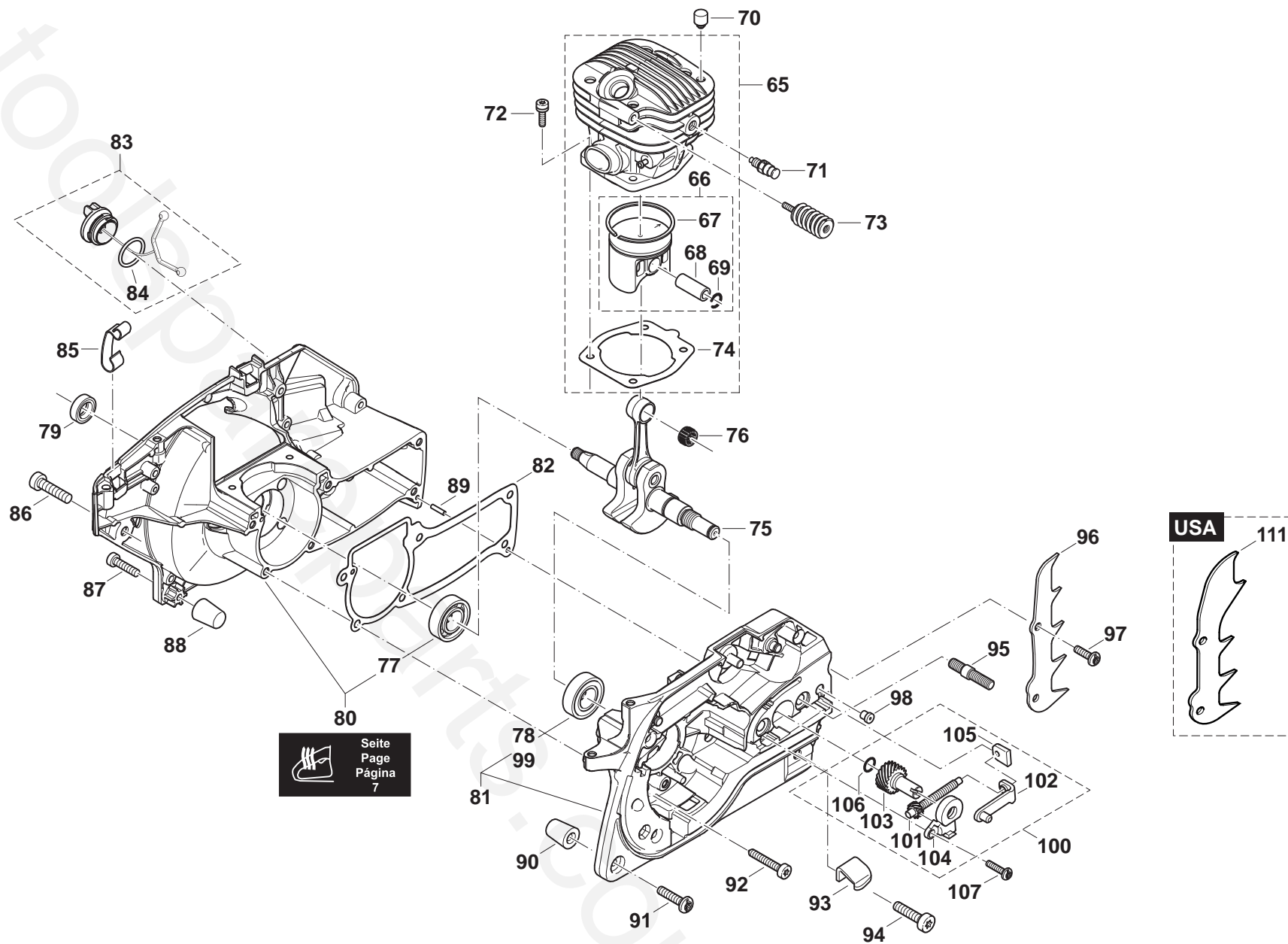
| Seite / Page | Pos. | DCS460 | DCS461 | DCS500 | DCS501 | DCS4600S | DCS4600SH | DCS5000 | DCS5000H | DCS5001 | DCS5001H | DCS5121 | DCS460 (USA) | DCS510 (USA) | DCS5121 (USA) | DE5045 | Teil-Nr. Part No. No. de pièce No. de pieza | Hinweise Notes Renseign. Nota | Bezeichnung | Spezifikation Specification | Description | Désignation | Denominación |
|--------------|------|--------|--------|--------|--------|----------|-----------|---------|----------|---------|----------|---------|--------------|--------------|---------------|--------|--|--|--------------------------------------|--------------------------------|----------------------------|--------------------------------|-----------------------------|
| 2 | 48 | 1 | 1 | 1 | 1 | 1 | 1 | 1 | 1 | 1 | 1 | 1 | 1 | 1 | 1 | 1 | 913 455 164 | | INNENSTERN SCHRAUBE | 5,5X16 | SCREW | VIS | TORNILLO |
| 2 | 49 | 1 | 1 | 1 | 1 | 1 | 1 | 1 | 1 | 1 | 1 | 1 | 1 | 1 | 1 | 1 | 928 405 000 | | SPANNSCHEIBE | | DISC | DISQUE | ARANDELA |
| 2 | 50 | 1 | 1 | 1 | 1 | 1 | 1 | 1 | 1 | 1 | 1 | 1 | 1 | 1 | 1 | 1 | 980 114 928 | | AUFKLEBER | CHOKE I-0 | LABEL | PLAQUE | CALCOMANIA |
| 2 | 51 | 1 | 1 | 1 | 1 | 1 | 1 | 1 | 1 | 1 | 1 | 1 | 1 | 1 | 1 | 1 | 957 173 250 | | SCHNEESET | | SNOW FILTER SET | FILTRE A NEIGE JEU | FILTRO DE NIEVE JUEGO |
| 2 | 52 | 1 | 1 | 1 | 1 | 1 | 1 | 1 | 1 | 1 | 1 | 1 | 1 | 1 | 1 | 1 | 181 173 250 | | VORFILTER | | PRE-FILTER | PREFILTRE | PRIMER FILTRO |
| 2 | 53 | 1 | 1 | 1 | 1 | 1 | 1 | 1 | 1 | 1 | 1 | | | | | 1 | 181 174 102 | | SCHALLDÄMPFER KPL. | | MUFFLER | POT D'ÉCHAPPEMENT | SILENCIADOR |
| 2 | 54 | 1 | | 1 | | | | | | 1 | | | 1 | 1 | | | 181 174 201 | | SCHALLDÄMPFER KPL. | AU, NZ | MUFFLER | POT D'ÉCHAPPEMENT | SILENCIADOR |
| 2 | 55 | | | | | | | | | | | | 1 | 1 | | | 181 174 250 | | FUNKENSCHUTZSIEB KPL. | AU, NZ | SPARK ARRESTER SCREEN CPL. | TAMIS CPL. | TAMIZ CPL. |
| 2 | 56 | | | | | | | | | | | | 1 | 1 | | | 915 035 120 | | SCHRAUBE | | SCREW | VIS | TORNILLO |
| 2 | 57 | 1 | 1 | 1 | 1 | 1 | 1 | 1 | 1 | 1 | 1 | 1 | 1 | 1 | 1 | 1 | 181 174 062 | | ABSCHIRMBLECH | | COOLING PLATE | TÔLE DE PROTECTION | CHAPA DEFLECTORA |
| 2 | 58 | 1 | 1 | 1 | 1 | 1 | 1 | 1 | 1 | 1 | 1 | 1 | 1 | 1 | 1 | 1 | 181 174 050 | | DICHTUNG SCHALLDÄMPFER | | GASKET | JOINT | JUNTA |
| 2 | 59 | 2 | 2 | 2 | 2 | 2 | 2 | 2 | 2 | 2 | 2 | 2 | 2 | 2 | 2 | 2 | 908 005 205 | | INNENSTERN SCHRAUBE | M5x20 | SCREW | VIS | TORNILLO |
| 2 | 60 | 1 | 1 | 1 | 1 | 1 | 1 | 1 | 1 | 1 | 1 | 1 | 1 | 1 | 1 | 1 | 181 174 091 | | HALTEBLECH SCHALLDÄMPFER | | SHEET-METAL | TÔLE DE SUPPORT | CHAPA SOPORTE |
| 2 | 61 | 2 | 2 | 2 | 2 | 2 | 2 | 2 | 2 | 2 | 2 | 2 | 2 | 2 | 2 | 2 | 908 005 095 | | SCHRAUBE | M5x9 | SCREW | VIS | TORNILLO |
| 2 | 62 | 1 | 1 | 1 | 1 | 1 | 1 | 1 | 1 | 1 | 1 | 1 | 1 | 1 | 1 | 1 | 908 805 205 | | ZYLINDERSCHRAUBE MIT SPANNSCHEIBE | M5X20 | SCREW | VIS | TORNILLO |
| 2 | 63 | 1 | 1 | 1 | 1 | 1 | 1 | 1 | 1 | 1 | 1 | 1 | 1 | 1 | 1 | 1 | 181 131 021 | | EINSATZ FÜR ANSAUGSCHLAUCH | | INSERT | PIÈCE D'INSERTION | PIEZA DE CIERRE |
| 2 | 108 | | | | | | | | | | | 1 | | | | | 181 174 301 | 2009-03 => | SCHALLDÄMPFER KPL. | KAT | MUFFLER | POT D'ÉCHAPPEMENT | SILENCIADOR |
| 2 | 109 | | | | | | | | | | | | | 1 | | | 181 174 470 | | AUSLASSHUTZE KPL. | KAT | SPARK ARRESTER SCREEN CPL. | TAMIS CPL. | TAMIZ CPL. |
| 2 | 110 | | | | | | | | | | | 2 | | | 2 | | 908 005 095 | | SCHRAUBE | M5x9 | SCREW | VIS | TORNILLO |
| 2 | 142 | 1 | | 1 | | | | | | | | 1 | 1 | 1 | | 1 | 181 155 011 | 2010 => | KONTAKTFEDER | | CONTACT SPRING | RESSORT DE CONTACT | RESORTE DE CONTACTO |
| 2 | 144 | 1 | | 1 | | | | | | | | 1 | 1 | 1 | | 1 | 970 311 580 | 2010 => | MASSELEITUNG | Stahl, Steel | EARTH CABLE | FIL DE MASSE | CONDUCCIÓN A MASA |
| 2 | 148 | 1 | | 1 | | | | | | | | 1 | 1 | 1 | | 1 | 181 155 070 | 2010 => | CHOKE/EIN/AUS-HEBEL | | CHOKE ON/OFF SWITCH | STARTER/LEVIER MARCHE-ARRÊT | PALANCA ON/OFF / STARTER |

DCS460, DCS461, DCS500, DCS501,
DCS4600S, DCS4600SH, DCS5000,
DCS5000H, DCS5001, DCS5001H, DCS5121,
DCS460, DCS510, DCS5121, DE5045

3

Zylinder, Kurbelgehäuse
Cylinder, crankcase
Cylindre, carter-vilebrequin
Cilindro, cárter cigüeñal

Makita



Seite
Page
Página
7

DCS460, DCS461, DCS500, DCS501,
DCS4600S, DCS4600SH, DCS5000,
DCS5000H, DCS5001, DCS5001H, DCS5121,
DCS460, DCS510, DCS5121, DE5045

3

Zylinder, Kurbelgehäuse
Cylinder, crankcase
Cylindre, carter-vilebrequin
Cilindro, cárter cigüeñal



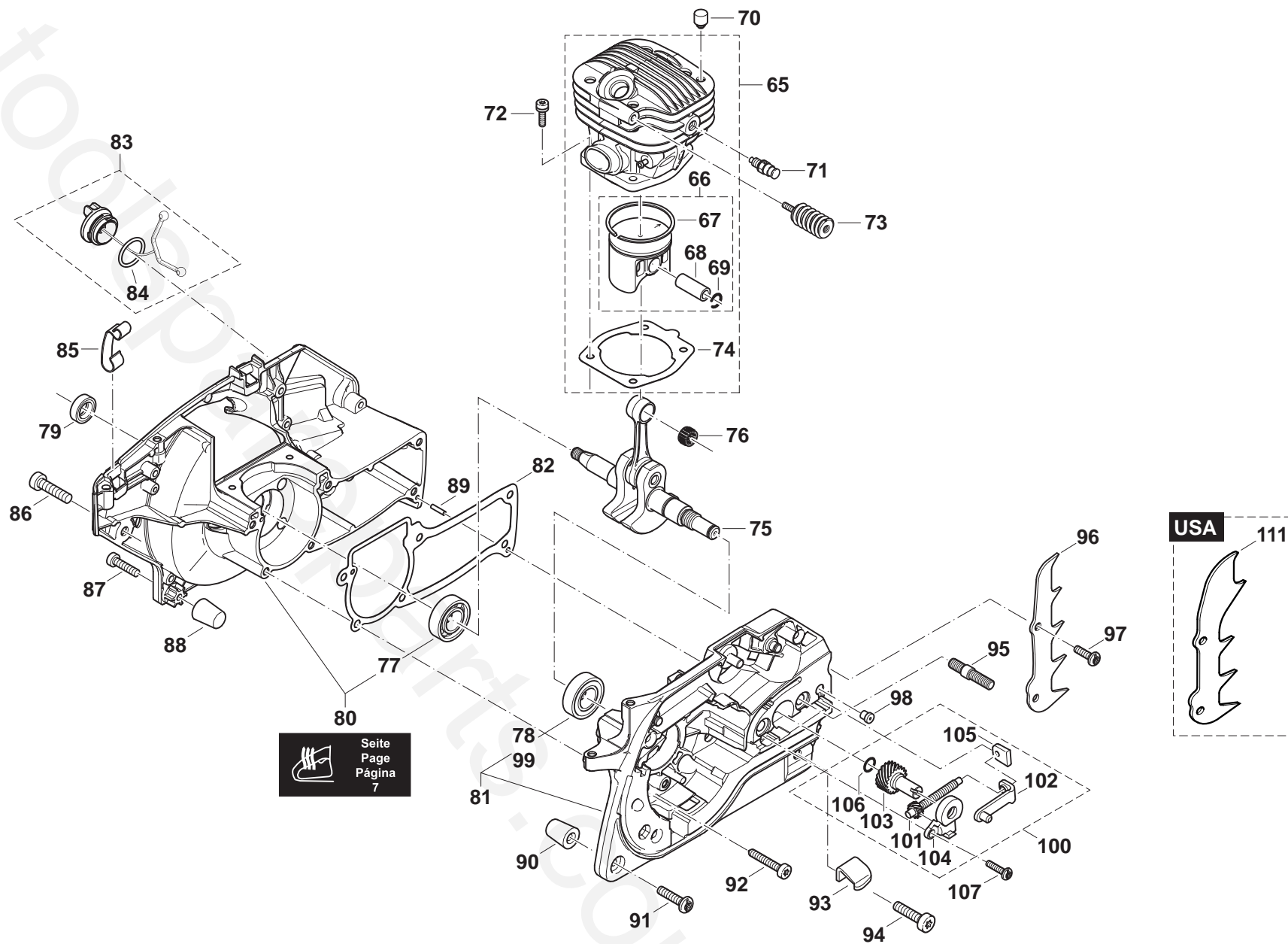
| Seite / Page | Pos. | DCS460 | DCS461 | DCS500 | DCS501 | DCS4600S | DCS4600SH | DCS5000 | DCS5000H | DCS5001 | DCS5001H | DCS5121 | DCS460 (USA) | DCS510 (USA) | DCS5121 (USA) | DE5045 | Teil-Nr. Part No. No. de pièce No. de pieza | Hinweise Notes Renseign. Nota | Bezeichnung | Spezifikation Specification | Description | Désignation | Denominación |
|--------------|------|--------|--------|--------|--------|----------|-----------|---------|----------|---------|----------|---------|--------------|--------------|---------------|--------|--|--|-------------------------------------|--------------------------------|--------------------------|-------------------------------|------------------------------|
| 3 | 65 | 1 | | | | | | | | | | | 1 | | | | 178 130 214 | | ZYLINDER / KOLBEN KPL. | D43 | CYLINDER / PISTON CPL. | CYLINDRE ET PISTON CPL. | CILINDRO CON PISTÓN CPL. |
| 3 | 65 | | 1 | | | | | | | | | | | | | | 178 130 252 | => 2009 | ZYLINDER / KOLBEN KPL. | Ø 43 DECO | CYLINDER / PISTON CPL. | CYLINDRE ET PISTON CPL. | CILINDRO CON PISTÓN CPL. |
| 3 | 65 | | | 1 | | | | | | | | 1 | | 1 | | | 179 130 215 | 2012-09 => | ZYLINDER / KOLBEN KPL. | D45 | CYLINDER / PISTON CPL. | CYLINDRE ET PISTON CPL. | CILINDRO CON PISTÓN CPL. |
| 3 | 65 | | | | 1 | | | | | | | | | | | | 179 130 253 | => 2009 | ZYLINDER / KOLBEN KPL. | Ø 45 DECO | CYLINDER / PISTON CPL. | CYLINDRE ET PISTON CPL. | CILINDRO CON PISTÓN CPL. |
| 3 | 65 | | | | | 1 | 1 | | | | | | | | | | 180 130 215 | | ZYLINDER / KOLBEN KPL. | Ø 43 | CYLINDER / PISTON CPL. | CYLINDRE ET PISTON CPL. | CILINDRO CON PISTÓN CPL. |
| 3 | 65 | | | | | | | 1 | 1 | | | | | | | 1 | 181 130 217 | | ZYLINDER / KOLBEN KPL. | Ø 45 | CYLINDER / PISTON CPL. | CYLINDRE ET PISTON CPL. | CILINDRO CON PISTÓN CPL. |
| 3 | 65 | | | | | | | | | 1 | 1 | | | | | 1 | 181 130 255 | => 2009 | ZYLINDER / KOLBEN KPL. | Ø 45 DECO | CYLINDER / PISTON CPL. | CYLINDRE ET PISTON CPL. | CILINDRO CON PISTÓN CPL. |
| 3 | 66 | 1 | 1 | | | 1 | 1 | | | | | | 1 | | | | 180 132 063 | | KOLBEN KPL. | Ø 43 | PISTON CPL. | PISTON CPL. | PISTÓN CPL. |
| 3 | 66 | | | 1 | 1 | | | 1 | 1 | 1 | 1 | 1 | 1 | 1 | 1 | 1 | 181 132 063 | | KOLBEN KPL. | D45 | PISTON CPL. | PISTON CPL. | PISTÓN CPL. |
| 3 | 67 | 1 | 1 | | | 1 | 1 | | | | | 1 | | | | | 180 132 080 | | KOLBENRING | Ø 43 | PISTON RING | SEGMENT DE PISTON | SEGMENTO DE PISTÓN |
| 3 | 67 | | | 1 | 1 | | | 1 | 1 | 1 | 1 | 1 | 1 | 1 | 1 | 1 | 181 132 080 | | KOLBENRING | Ø 45 | PISTON RING | SEGMENT DE PISTON | SEGMENTO DE PISTÓN |
| 3 | 68 | 1 | 1 | 1 | 1 | 1 | 1 | 1 | 1 | 1 | 1 | 1 | 1 | 1 | 1 | 1 | 181 132 090 | | KOLBENBOLZEN | | PISTON PIN | AXE DE PISTON | PERNO DE PISTÓN |
| 3 | 69 | 2 | 2 | 2 | 2 | 2 | 2 | 2 | 2 | 2 | 2 | 2 | 2 | 2 | 2 | 2 | 181 132 050 | | SPRENGRING | C 12X1 | SPRING RING | ANNEAU-RESSORT | ANILLO ELÁSTICO |
| 3 | 70 | 2 | 2 | 2 | 2 | 2 | 2 | 2 | 2 | 2 | 2 | 2 | 2 | 2 | 2 | 2 | 181 118 070 | | DÄMPFUNGSSTOPFEN | | DAMPING PLUG | TAMPON | TAPÓN DE AMORTIGUACIÓN |
| 3 | 71 | | 1 | | 1 | | | | | 1 | 1 | | | | | 1 | 001 131 150 | => 2009 | DEKOMPRESSIVVENTIL | | VALVE | SOUPAPE | VÁLVULA |
| 3 | 72 | 4 | 4 | 4 | 4 | 4 | 4 | 4 | 4 | 4 | 4 | 4 | 4 | 4 | 4 | 4 | 908 805 235 | | INNENSTERNSCHRAUBE MIT SPANNSCHEIBE | M5x23 | SCREW | VIS | TORNILLO |
| 3 | 73 | 1 | 1 | 1 | 1 | 1 | 1 | 1 | 1 | 1 | 1 | 1 | 1 | 1 | 1 | 1 | 181 114 401 | | DÄMPFUNGSFEDER KPL. | | DAMPING SPRING, CPL. | RESSORT D'AMORTISS. CPL. | MUELLE DE AMORTIGUACIÓN CPL. |
| 3 | 74 | 1 | 1 | 1 | 1 | 1 | 1 | 1 | 1 | 1 | 1 | 1 | 1 | 1 | 1 | 1 | 181 131 132 | 2008-03 => | ZYLINDERFUßDICHTUNG | | GASKET | JOINT | JUNTA |
| 3 | 74 | 1 | 1 | 1 | 1 | 1 | 1 | 1 | 1 | 1 | 1 | 1 | 1 | 1 | 1 | 1 | 181 131 131 | => 2008-02 | ZYLINDERFUßDICHTUNG, METALL | | GASKET, METAL | JOINT, MÉTAL | JUNTA, METAL |
| 3 | 75 | 1 | 1 | 1 | 1 | 1 | 1 | 1 | 1 | 1 | 1 | 1 | 1 | 1 | 1 | 1 | 181 120 100 | | KURBELWELLE KPL. | | CRANKSHAFT CPL. | VILEBREQUIN CPL. | CIGÜEÑAL CPL. |
| 3 | 75 | 1 | | 1 | | | | | | | | 1 | 1 | 1 | 1 | 1 | 181 120 102 | 2010-03 => | KURBELWELLE KPL. | | CRANKSHAFT CPL. | VILEBREQUIN CPL. | CIGÜEÑAL CPL. |
| 3 | 76 | 1 | 1 | 1 | 1 | 1 | 1 | 1 | 1 | 1 | 1 | 1 | 1 | 1 | 1 | 1 | 962 210 033 | | NADELKÄFIG | 10x13x12,5 | NEEDLE CAGE | CAGE À AIGUILLES | JAULA DE AGUJAS |
| 3 | 77 | 1 | 1 | 1 | 1 | 1 | 1 | 1 | 1 | 1 | 1 | 1 | 1 | 1 | 1 | 1 | 960 102 159 | | KUGELLAGER (EINKLEBEN) | 6202 | BALL BEARING (USE GLUE) | ROULEMENT À BILLES (À COLLER) | RODAM. DE BOLAS (A COLAR) |
| 3 | 78 | 1 | 1 | 1 | 1 | 1 | 1 | 1 | 1 | 1 | 1 | 1 | 1 | 1 | 1 | 1 | 960 123 159 | | KOMBIKUGELLAGER | 6202 C3 | COMBINATION BALL BEARING | ROULEMENT À BILLES COMBINÉ | RODAMIENTO COMBI |
| 3 | 79 | 1 | 1 | 1 | 1 | 1 | 1 | 1 | 1 | 1 | 1 | 1 | 1 | 1 | 1 | 1 | 962 900 156 | | RADIALDICHTRING | Ø 12/20x4,5 | RADIAL RING | JOINT RADIAL | ANILLO RADIAL |
| 3 | 80 | 1 | 1 | 1 | 1 | | | | | | | 1 | 1 | 1 | 1 | 1 | 179 111 653 | | KURBELGEHÄUSE MS BLAU | Al | CRANKC. M. SIDE BLUE | CARTER-COTÉ MA. BLEU | CÁRTER CIG. LADO MA. AZUL |
| 3 | 80 | | | | | 1 | 1 | 1 | 1 | 1 | 1 | | | | | 1 | 181 111 655 | | KURBELGEHÄUSE MS BLAU | Mg | CRANKC. M. SIDE BLUE | CARTER-COTÉ MA. BLEU | CÁRTER CIG. LADO MA. AZUL |

DCS460, DCS461, DCS500, DCS501,
DCS4600S, DCS4600SH, DCS5000,
DCS5000H, DCS5001, DCS5001H, DCS5121,
DCS460, DCS510, DCS5121, DE5045

3

Zylinder, Kurbelgehäuse
Cylinder, crankcase
Cylindre, carter-vilebrequin
Cilindro, cárter cigüeñal

Makita



DCS460, DCS461, DCS500, DCS501,
DCS4600S, DCS4600SH, DCS5000,
DCS5000H, DCS5001, DCS5001H, DCS5121,
DCS460, DCS510, DCS5121, DE5045

3

Zylinder, Kurbelgehäuse
Cylinder, crankcase
Cylindre, carter-vilebrequin
Cilindro, cárter cigüeñal

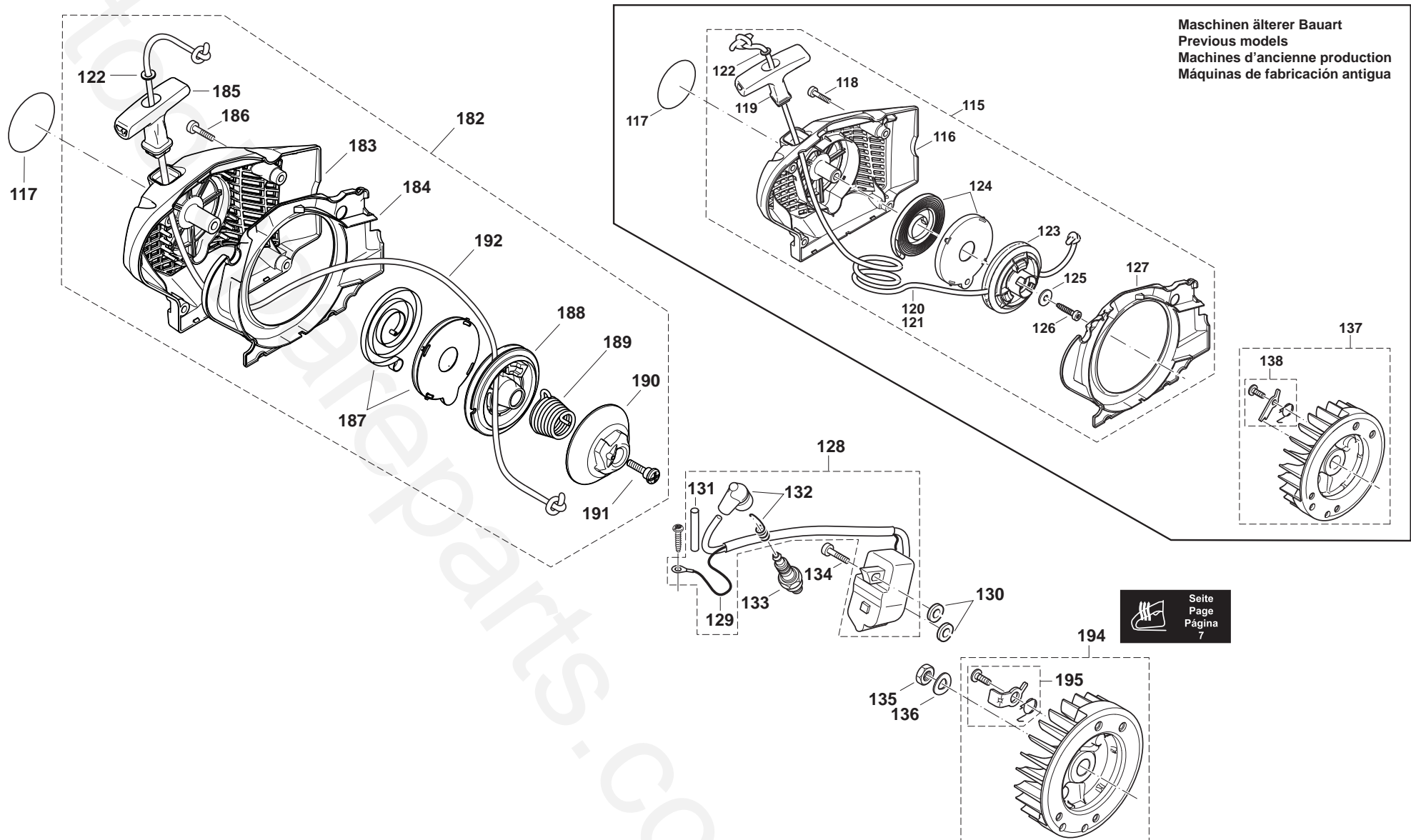


| Seite / Page | Pos. | DCS460 | DCS461 | DCS500 | DCS501 | DCS4600S | DCS4600SH | DCS5000 | DCS5000H | DCS5001 | DCS5001H | DCS5121 | DCS460 (USA) | DCS510 (USA) | DCS5121 (USA) | DE5045 | Teil-Nr. Part No. No. de pièce No. de pieza | Hinweise Notes Renseign. Nota | Bezeichnung | Spezifikation Specification | Description | Désignation | Denominación |
|--------------|------|--------|--------|--------|--------|----------|-----------|---------|----------|---------|----------|---------|--------------|--------------|---------------|--------|--|--|--------------------------------------|--------------------------------|-----------------------------|--------------------------------|--------------------------------|
| 3 | 81 | 1 | 1 | 1 | 1 | | | | | | | 1 | 1 | 1 | 1 | | 179 111 641 | | KURBELGEHÄUSE KS BLAU | AI | CRANKC. CL. SIDE BLUE | CARTER-COTÉ EM. BLEU | CÁRTER CIG. LADO EM. AZUL |
| 3 | 81 | | | | | 1 | 1 | 1 | 1 | 1 | 1 | | | | | 1 | 181 111 642 | | KURBELGEHÄUSE KS BLAU | Mg | CRANKC. CL. SIDE BLUE | CARTER-COTÉ EM. BLEU | CÁRTER CIG. LADO EM. AZUL |
| 3 | 82 | 1 | 1 | 1 | 1 | 1 | 1 | 1 | 1 | 1 | 1 | 1 | 1 | 1 | 1 | 1 | 181 111 060 | | KURBELGEHÄUSEDICHTUNG | | GASKET | JOINT | JUNTA |
| 3 | 83 | 1 | 1 | 1 | 1 | 1 | 1 | 1 | 1 | 1 | 1 | 1 | 1 | 1 | 1 | 1 | 170 114 100 | | TANKDECKEL KPL. | | TANK CAP COMPLETE | BOUCHON RESERVOIR CPL. | TORNILLO DE CIERRE CPL. |
| 3 | 84 | 1 | 1 | 1 | 1 | 1 | 1 | 1 | 1 | 1 | 1 | 1 | 1 | 1 | 1 | 1 | 963 225 030 | | O-RING | | PACKING RING | BAGUE-JOINT | ANILLO DE GUARNICION |
| 3 | 85 | 3 | 3 | 3 | 3 | 3 | 3 | 3 | 3 | 3 | 3 | 3 | 3 | 3 | 3 | 3 | 181 118 050 | | HAUBENKLAMMER | | STEELCLIP | AGRAFE | PINZA DE ACERO |
| 3 | 86 | 1 | 1 | 1 | 1 | 1 | 1 | 1 | 1 | 1 | 1 | 1 | 1 | 1 | 1 | 1 | 908 006 205 | | INNENSTERN-SCHRAUBE | M6x20 | SCREW | VIS | TORNILLO |
| 3 | 87 | 1 | 1 | 1 | 1 | 1 | 1 | 1 | 1 | 1 | 1 | 1 | 1 | 1 | 1 | 1 | 908 805 205 | | ZYLINDERSCHRAUBE MIT SPANNSCHEIBE | M5X20 | SCREW | VIS | TORNILLO |
| 3 | 88 | 1 | 1 | 1 | 1 | 1 | 1 | 1 | 1 | 1 | 1 | 1 | 1 | 1 | 1 | 1 | 181 111 230 | | ANSCHLAGDÄMPFER | | IMPACT PROTECTION | AMORTISSEUR DE BUTÉE | AMORTIGUADOR DE TOPE |
| 3 | 89 | 2 | 2 | 2 | 2 | 2 | 2 | 2 | 2 | 2 | 2 | 2 | 2 | 2 | 2 | 2 | 936 430 160 | | SPIRALSPANNSTIFT | 3X16 | CLAMPING PIN | GOUPILLE | PASADOR |
| 3 | 90 | 1 | 1 | 1 | 1 | 1 | 1 | 1 | 1 | 1 | 1 | 1 | 1 | 1 | 1 | 1 | 181 111 230 | | ANSCHLAGDÄMPFER | | IMPACT PROTECTION | AMORTISSEUR DE BUTÉE | AMORTIGUADOR DE TOPE |
| 3 | 91 | 1 | 1 | 1 | 1 | 1 | 1 | 1 | 1 | 1 | 1 | 1 | 1 | 1 | 1 | 1 | 908 805 205 | | ZYLINDERSCHRAUBE MIT SPANNSCHEIBE | M5X20 | SCREW | VIS | TORNILLO |
| 3 | 92 | 6 | 6 | 6 | 6 | 6 | 6 | 6 | 6 | 6 | 6 | 6 | 6 | 6 | 6 | 6 | 908 005 205 | | INNENSTERN SCHRAUBE | M5x20 | SCREW | VIS | TORNILLO |
| 3 | 93 | 1 | 1 | 1 | 1 | 1 | 1 | 1 | 1 | 1 | 1 | 1 | 1 | 1 | 1 | 1 | 181 111 050 | | KETTENFÄNGER | | CHAIN CATCH | ARRÊTE-CHAÎNE | BULÓN DE RETENCIÓN |
| 3 | 94 | 1 | 1 | 1 | 1 | 1 | 1 | 1 | 1 | 1 | 1 | 1 | 1 | 1 | 1 | 1 | 908 006 205 | | INNENSTERN-SCHRAUBE | M6x20 | SCREW | VIS | TORNILLO |
| 3 | 95 | 2 | 2 | 2 | 2 | 2 | 2 | 2 | 2 | 2 | 2 | 2 | 2 | 2 | 2 | 2 | 905 808 210 | | STIFTSCHRAUBE | M8x21 | SCREW | VIS | TORNILLO |
| 3 | 96 | 1 | 1 | 1 | 1 | 1 | 1 | 1 | 1 | 1 | 1 | 1 | 1 | 1 | 1 | 1 | 181 250 011 | | ZACKENLEISTE | | SPIKE BAR | BARRE DENTÉE | BARRA DENTADA |
| 3 | 97 | 2 | 2 | 2 | 2 | 2 | 2 | 2 | 2 | 2 | 2 | 2 | 2 | 2 | 2 | 2 | 908 805 205 | | ZYLINDERSCHRAUBE MIT SPANNSCHEIBE | M5X20 | SCREW | VIS | TORNILLO |
| 3 | 98 | 1 | 1 | 1 | 1 | 1 | 1 | 1 | 1 | 1 | 1 | 1 | 1 | 1 | 1 | 1 | 010 245 030 | | BELÜFTUNGSVENTIL | | VENT VALVE | SOUPAPE D AERATION | VALVULA VENTILACION |
| 3 | 99 | 1 | 1 | 1 | 1 | 1 | 1 | 1 | 1 | 1 | 1 | 1 | 1 | 1 | 1 | 1 | 962 900 065 | | RADIALDICHTRING | | RADIAL RING | JOINT RADIAL | JUNTA RADIAL |
| 3 | 100 | 1 | 1 | 1 | 1 | 1 | 1 | 1 | 1 | 1 | 1 | 1 | 1 | 1 | 1 | 1 | 181 213 300 | | KETTENSANNER KPL. | PROFI | CHAIN TENSIONER CPL. | TENDEUR DE CHAÎNE CPL. | TENSOR DE LA CADENA CPL. |
| 3 | 101 | 1 | 1 | 1 | 1 | 1 | 1 | 1 | 1 | 1 | 1 | 1 | 1 | 1 | 1 | 1 | 181 213 230 | | KETTENSANNSCHRAUBE | PROFI | TENSIONING SCREW | VIS DE TENSION | TORNILLO DE TENSION |
| 3 | 102 | 1 | 1 | 1 | 1 | 1 | 1 | 1 | 1 | 1 | 1 | 1 | 1 | 1 | 1 | 1 | 181 213 240 | | SPANNSCHLITTEN | PROFI | TENSION SLIDE | COULISSEAU DE SERRAGE | CARRO DE TENSADO |
| 3 | 103 | 1 | 1 | 1 | 1 | 1 | 1 | 1 | 1 | 1 | 1 | 1 | 1 | 1 | 1 | 1 | 181 213 250 | | EINSTELLSCHRAUBE | PROFI | ADJUSTING SCREW | VIS DE REGLAGE | TORNILLO DE AJUSTE |
| 3 | 104 | 1 | 1 | 1 | 1 | 1 | 1 | 1 | 1 | 1 | 1 | 1 | 1 | 1 | 1 | 1 | 181 213 270 | | GETRIEBEABDECKUNG | PROFI | TRANSMISSION COVER | REVÊTEMENT D' ENGRENAGES | CUBIERTA DE ENGRANAJES |
| 3 | 105 | 1 | 1 | 1 | 1 | 1 | 1 | 1 | 1 | 1 | 1 | 1 | 1 | 1 | 1 | 1 | 181 213 260 | | SPANNSCHRAUBENLAGER | | TENSIONING SCREW BEARING | PALIER DE LA VIS DE TENSION | SOPORTE DEL TORNILLO TENSOR |
| 3 | 106 | 1 | 1 | 1 | 1 | 1 | 1 | 1 | 1 | 1 | 1 | 1 | 1 | 1 | 1 | 1 | 963 207 020 | | O-RING | 7X2 | PACKING RING | BAGUE-JOINT | ANILLO DE GUARNICION |
| 3 | 107 | 1 | 1 | 1 | 1 | 1 | 1 | 1 | 1 | 1 | 1 | 1 | 1 | 1 | 1 | 1 | 908 705 125 | | SCHRAUBE | M5x12 | SCREW | VIS | TORNILLO |
| 3 | 111 | | | | | | | | | | | | | | 1 | | 181 250 020 | | ZACKENLEISTE | USA | SPIKE BAR | BARRE DENTÉE | BARRA DENTADA |

DCS460, DCS461, DCS500, DCS501,
DCS4600S, DCS4600SH, DCS5000,
DCS5000H, DCS5001, DCS5001H, DCS5121,
DCS460, DCS510, DCS5121, DE5045

4

Zündelektronik, Anwerfvorrichtung
Ignition electronics, starter
Allumage électronique, dispositif de démarrage
Bobina encendido, dispositivo de arranque



DCS460, DCS461, DCS500, DCS501,
DCS4600S, DCS4600SH, DCS5000,
DCS5000H, DCS5001, DCS5001H, DCS5121,
DCS460, DCS510, DCS5121, DE5045

4

Zündelektronik, Anwerfvorrichtung
Ignition electronics, starter
Allumage électronique, dispositif de démarrage
Bobina encendido, dispositivo de arranque



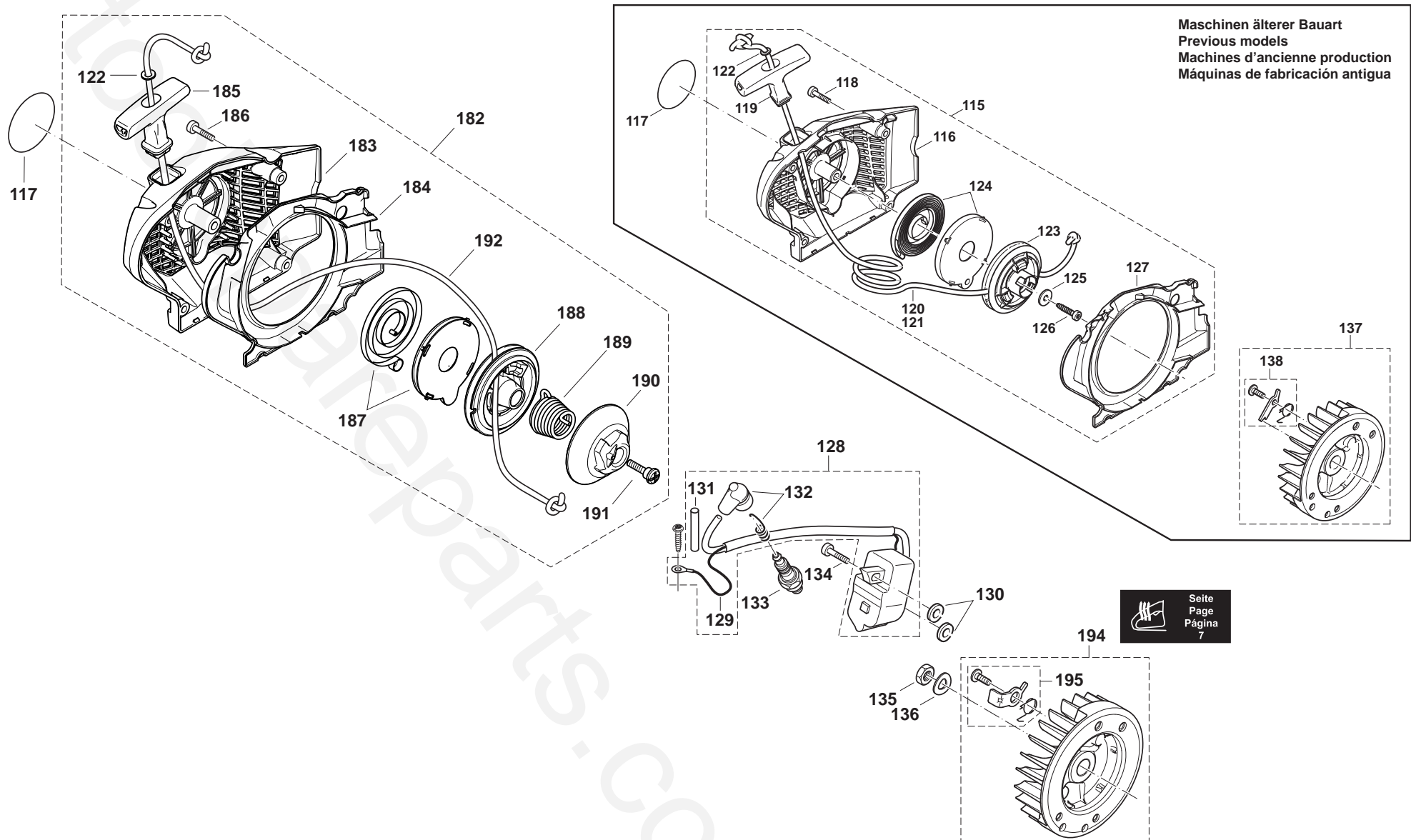
| Seite / Page | Pos. | DCS460 | DCS461 | DCS500 | DCS501 | DCS4600S | DCS4600SH | DCS5000 | DCS5000H | DCS5001 | DCS5001H | DCS5121 | DCS460 (USA) | DCS510 (USA) | DCS5121 (USA) | DE5045 | Teil-Nr. Part No. No. de pièce No. de pieza | Hinweise Notes Renseign. Nota | Bezeichnung | Spezifikation Specification | Description | Désignation | Denominación |
|--------------|------|--------|--------|--------|--------|----------|-----------|---------|----------|---------|----------|---------|--------------|--------------|---------------|--------|--|--|--------------------------------------|--------------------------------|-------------------------------|-----------------------------------|----------------------------------|
| 4 | 115 | 1 | 1 | 1 | 1 | 1 | 1 | 1 | 1 | 1 | 1 | 1 | 1 | 1 | 1 | 1 | 181 160 601 | | ANWERFVORRICHTUNG KPL. BLAU | | STARTER ASSY. BLUE | DISPOS. DE DÉMARRAGE CPL. BLEU | DISPOS. DE ARRANQUE CPL. AZUL |
| 4 | 116 | 1 | 1 | 1 | 1 | 1 | 1 | 1 | 1 | 1 | 1 | 1 | 1 | 1 | 1 | 1 | 181 112 621 | | VENTILATORGEHÄUSE BLAU | | FAN HOUSING BLUE | CARTER DE VENTILATEUR | CÁRTER DE VENTILADOR AZUL |
| 4 | 117 | 1 | | | | | | | | | | | 1 | | | | 980 115 222 | | SCHILD VENTILATORGEHÄUSE | DCS460 | LABEL | PLAQUE | CALCOMANIA |
| 4 | 117 | | 1 | | | | | | | | | | | | | | 980 115 223 | | SCHILD VENTILATORGEHÄUSE | DCS461 | LABEL | PLAQUE | CALCOMANIA |
| 4 | 117 | | | 1 | | | | | | | | | | | | | 980 115 220 | | SCHILD VENTILATORGEHÄUSE | DCS500 | LABEL | PLAQUE | CALCOMANIA |
| 4 | 117 | | | | | | | | | | 1 | | | | 1 | | 980 115 479 | | SCHILD VENTILATORGEHÄUSE | DCS5121 | LABEL | PLAQUE | CALCOMANIA |
| 4 | 117 | | | | 1 | | | | | | | | | | | | 980 115 221 | | SCHILD VENTILATORGEHÄUSE | DCS501 | LABEL | PLAQUE | CALCOMANIA |
| 4 | 117 | | | | | 1 | 1 | | | | | | | | | | 980 115 218 | | SCHILD VENTILATORGEHÄUSE | DCS4600 | LABEL | PLAQUE | CALCOMANIA |
| 4 | 117 | | | | | | | 1 | 1 | | | | | | | | 980 115 216 | | SCHILD VENTILATORGEHÄUSE | DCS5000 | LABEL | PLAQUE | CALCOMANIA |
| 4 | 117 | | | | | | | | | 1 | 1 | | | | | | 980 115 217 | | SCHILD VENTILATORGEHÄUSE | DCS5001 | LABEL | PLAQUE | CALCOMANIA |
| 4 | 117 | | | | | | | | | | | | 1 | | | | 980 115 224 | | SCHILD VENTILATORGEHÄUSE | DCS510 | LABEL | PLAQUE | CALCOMANIA |
| 4 | 117 | | | | | | | | | | | | | | 1 | | 980 115 198 | | SCHILD VENTILATORGEHÄUSE | DE5045 | LABEL | PLAQUE | CALCOMANIA |
| 4 | 118 | 4 | 4 | 4 | 4 | 4 | 4 | 4 | 4 | 4 | 4 | 4 | 4 | 4 | 4 | 4 | 908 805 205 | | ZYLINDERSCHRAUBE MIT SPANNSCHEIBE | M5X20 | SCREW | VIS | TORNILLO |
| 4 | 119 | 1 | 1 | 1 | 1 | 1 | 1 | 1 | 1 | 1 | 1 | 1 | 1 | 1 | 1 | 1 | 001 161 020 | | ANWERFGRIF | | STARTER GRIP | POIGNÉE DE LANCEMENT | TIRADOR DE ARRANQUE |
| 4 | 120 | 1 | 1 | 1 | 1 | 1 | 1 | 1 | 1 | 1 | 1 | 1 | 1 | 1 | 1 | 1 | 108 164 020 | | ANWERFSEIL | ∅ 3,5 x 980 mm | STARTER ROPE | CÂBLE DE DÉMARRAGE | CORDÓN DE ARRANQUE |
| 4 | 121 | 1 | 1 | 1 | 1 | 1 | 1 | 1 | 1 | 1 | 1 | 1 | 1 | 1 | 1 | 1 | 985 000 155 | ACC. | ANWERFSEIL | ∅ 3,5 x 100 m | STARTER ROPE | CORDE DE LANCEUR | CUERDA DE ARRANQUE |
| 4 | 122 | 1 | 1 | 1 | 1 | 1 | 1 | 1 | 1 | 1 | 1 | 1 | 1 | 1 | 1 | 1 | 928 405 000 | | SPANNSCHEIBE | | DISC | DISQUE | ARANDELA |
| 4 | 123 | 1 | 1 | 1 | 1 | 1 | 1 | 1 | 1 | 1 | 1 | 1 | 1 | 1 | 1 | 1 | 181 162 150 | | SEILTROMMEL KPL. | | CABLE DRUM CPL. | TAMBOUR DE CÂBLE CPL. | TAMBOUR PARA CORDÓN CPL. |
| 4 | 124 | 1 | 1 | 1 | 1 | 1 | 1 | 1 | 1 | 1 | 1 | 1 | 1 | 1 | 1 | 1 | 181 163 020 | | RÜCKHOLFEDER KPL. | | REWIND SPRING IN HOUSING | RESSORT RAPPEL DANS BOÎT | RESORTE RETENC. EN CAJA |
| 4 | 125 | 1 | 1 | 1 | 1 | 1 | 1 | 1 | 1 | 1 | 1 | 1 | 1 | 1 | 1 | 1 | 924 605 510 | | SCHEIBE | ∅ 5,5x18x1,6 | WASHER | RONDELLE | ARANDELA |
| 4 | 126 | 1 | 1 | 1 | 1 | 1 | 1 | 1 | 1 | 1 | 1 | 1 | 1 | 1 | 1 | 1 | 913 455 204 | | SCHRAUBE | 5,5x20 | SCREW | VIS | TORNILLO |
| 4 | 127 | 1 | 1 | 1 | 1 | 1 | 1 | 1 | 1 | 1 | 1 | 1 | 1 | 1 | 1 | 1 | 181 118 041 | | LUFTFÜHRUNG | | AIR GUIDE PLATE | GUIDE D'AIR | CONDUCTO DE AIRE |
| 4 | 128 | 1 | 1 | 1 | 1 | 1 | 1 | 1 | 1 | 1 | 1 | 1 | 1 | 1 | 1 | 1 | 181 143 204 | | ZÜNDSPULE ROT KPL. | | IGNITION COIL, CPL., RED | BOBINE D'ALLUM. CPL. ROUGE | BOBINA DE ENCEN. CPL. ROJO |
| 4 | 128 | 1 | | 1 | | | | | | | | 1 | 1 | 1 | | 1 | 181 143 205 | 2010-03 => | ZÜNDSPULE SCHWARZ KPL. | | IGNITION COIL, CPL., BLACK | BOBINE D'ALLUM. CPL. NOIR | BOBINA DE ENCEN. CPL. NEGRO |
| 4 | 129 | 1 | 1 | 1 | 1 | 1 | 1 | 1 | 1 | 1 | 1 | 1 | 1 | 1 | 1 | 1 | 181 147 050 | | KURZSCHLUSSKABEL | | IGNITION CABLE | CÂBLE D'ALLUMAGE | CABLE CORTO-CIRC. |

DCS460, DCS461, DCS500, DCS501,
DCS4600S, DCS4600SH, DCS5000,
DCS5000H, DCS5001, DCS5001H, DCS5121,
DCS460, DCS510, DCS5121, DE5045

4

Zündelektronik, Anwerfvorrichtung
Ignition electronics, starter
Allumage électronique, dispositif de démarrage
Bobina encendido, dispositivo de arranque

Makita



DCS460, DCS461, DCS500, DCS501,
DCS4600S, DCS4600SH, DCS5000,
DCS5000H, DCS5001, DCS5001H, DCS5121,
DCS460, DCS510, DCS5121, DE5045

4

Zündelektronik, Anwerfvorrichtung
Ignition electronics, starter
Allumage électronique, dispositif de démarrage
Bobina encendido, dispositivo de arranque



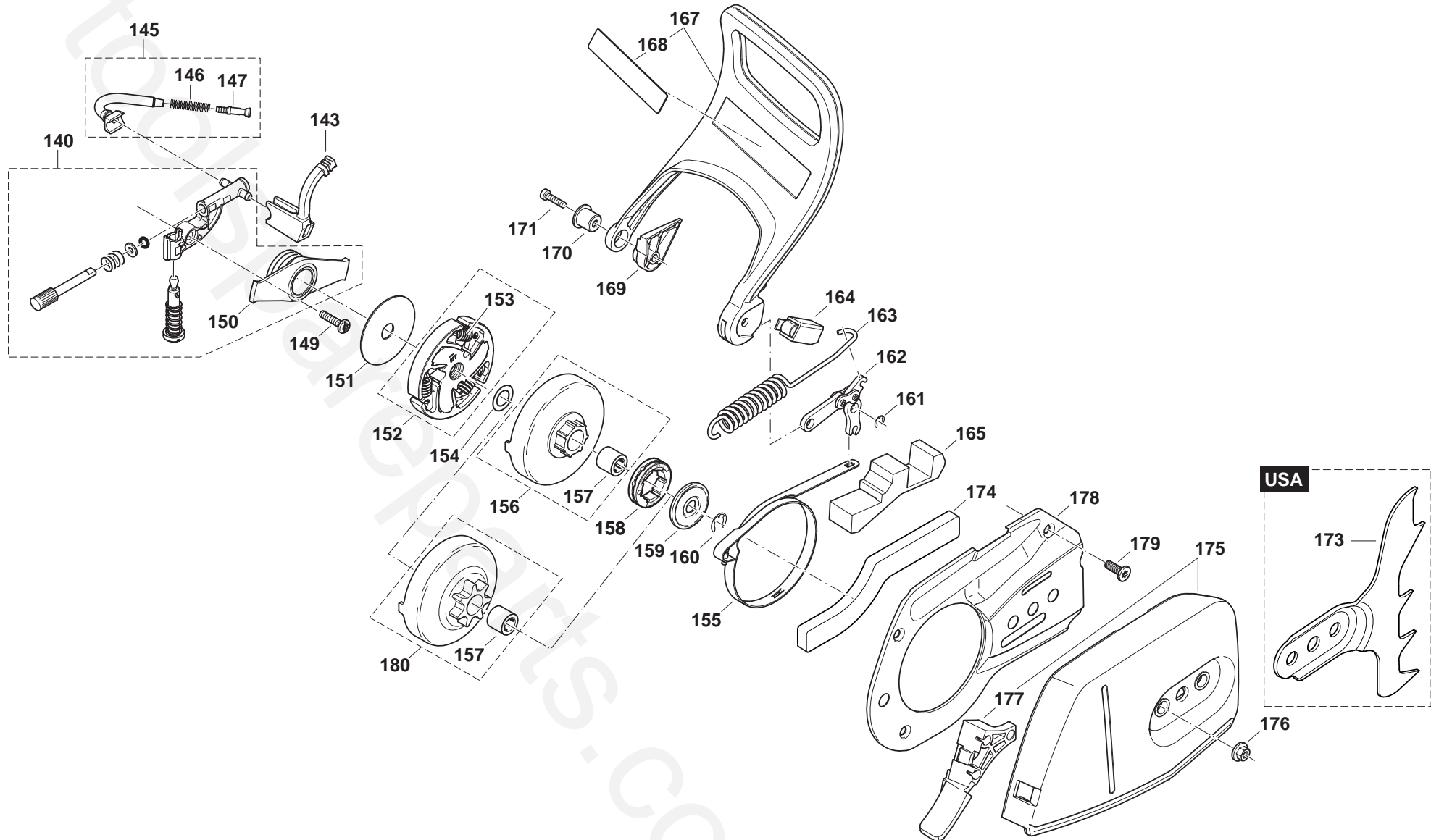
| Seite / Page | Pos. | DCS460 | DCS461 | DCS500 | DCS501 | DCS4600S | DCS4600SH | DCS5000 | DCS5000H | DCS5001 | DCS5001H | DCS5121 | DCS460 (USA) | DCS510 (USA) | DCS5121 (USA) | DE5045 | Teil-Nr. Part No. No. de pièce No. de pieza | Hinweise Notes Renseign. Nota | Bezeichnung | Spezifikation Specification | Description | Désignation | Denominación |
|--------------|------|--------|--------|--------|--------|----------|-----------|---------|----------|---------|----------|---------|--------------|--------------|---------------|--------|--|--|--------------------------------------|--------------------------------|-----------------------------|------------------------------|----------------------------------|
| 4 | 130 | 2 | 2 | 2 | 2 | 2 | 2 | 2 | 2 | 2 | 2 | 2 | 2 | 2 | 2 | 2 | 195 143 030 | | ISOLIERSCHEIBE | black | ISOLATING WASHER | RONDELLE | ARANDELA |
| 4 | 131 | m | m | m | m | m | m | m | m | m | m | m | m | m | m | m | 970 502 110 | | ISOLIERSCHLAUCH | A6X0,5 L=55mm | ISOLATING HOSE | TUYAU ISOLANT | MANGO AISLANTE |
| 4 | 132 | 1 | 1 | 1 | 1 | 1 | 1 | 1 | 1 | 1 | 1 | 1 | 1 | 1 | 1 | 1 | 957 604 260 | | ZÜNDKERZENSTECKER KPL. | | SPARK PLUG CAP CPL. | FICHE DE BOUGIE, CPL. | TAPA DE BUJIA CPL. |
| 4 | 133 | 1 | 1 | 1 | 1 | 1 | 1 | 1 | 1 | 1 | 1 | 1 | 1 | 1 | 1 | 1 | 965 603 021 | | ZÜNDKERZE | | SPARK PLUG | BOUGIE | BUJÍA |
| 4 | 134 | 2 | 2 | 2 | 2 | 2 | 2 | 2 | 2 | 2 | 2 | 2 | 2 | 2 | 2 | 2 | 908 805 205 | | ZYLINDERSCHRAUBE MIT SPANNSCHEIBE | M5X20 | SCREW | VIS | TORNILLO |
| 4 | 135 | 1 | 1 | 1 | 1 | 1 | 1 | 1 | 1 | 1 | 1 | 1 | 1 | 1 | 1 | 1 | 920 308 024 | | 6KT-MUTTER | M8x1 | HEXAGONAL NUT | ECROU HEXAGONAL | TUERCA HEXAGONAL |
| 4 | 136 | 1 | 1 | 1 | 1 | 1 | 1 | 1 | 1 | 1 | 1 | 1 | 1 | 1 | 1 | 1 | 926 208 001 | | FEDERSCHEIBE | B8 | SPRING WASHER | RONDELLE ÉLASTIQUE | DISCO AMORTIGUADOR |
| 4 | 137 | 1 | 1 | 1 | 1 | 1 | 1 | 1 | 1 | 1 | 1 | 1 | 1 | 1 | 1 | 1 | 181 141 104 | | POLRAD KPL. | | FLYWHEEL CPL. | ROUE POLAIRE CPL. | VOLANTE ENCEND. CPL. |
| 4 | 138 | 2 | 2 | 2 | 2 | 2 | 2 | 2 | 2 | 2 | 2 | 2 | 2 | 2 | 2 | 2 | 181 166 050 | | ANWERFKLINKE KPL. | | STARTER RATCHET CPL. | CLIQUET CPL. | TRINQUETE ARRANQUE CPL. |
| 4 | 182 | 1 | 1 | | | | | | | | | 1 | 1 | 1 | 1 | 1 | 181 160 655 | | ANWERFVORRICHTUNG BLAU KPL. | FARMER | STARTER ASSY. BLUE | DISPOS. DE DÉMARRAGE CPL. | DISPOS. DE ARRANQUE CPL. AZUL |
| 4 | 183 | 1 | 1 | | | | | | | | | 1 | 1 | 1 | 1 | 1 | 181 112 660 | | STARTERGEHÄUSE BLAU | | STARTER ASSY. BLUE | DISPOS. DE DÉMARRAGE CPL. | DISPOS. DE ARRANQUE CPL. AZUL |
| 4 | 184 | 1 | 1 | | | | | | | | | 1 | 1 | 1 | 1 | 1 | 181 118 041 | | LUFTFÜHRUNG | | AIR GUIDE PLATE | GUIDE D'AIR | CONDUCTO DE AIRE |
| 4 | 185 | 1 | 1 | | | | | | | | | 1 | 1 | 1 | 1 | 1 | 181 164 010 | | ANWERFGRIF | | STARTER KNOB | POIGNEE DE LANCEMENT | TIRADOR DE ARRANQUE |
| 4 | 186 | 4 | 4 | | | | | | | | | 4 | 4 | 4 | 4 | 4 | 908 605 205 | | SCHRAUBE INNEN6RD | M5x20 | H.L. SOCKET HEAD BOLT | VIS | TORNILLO |
| 4 | 187 | 1 | 1 | | | | | | | | | 1 | 1 | 1 | 1 | 1 | 181 163 050 | | RÜCKHOLFEDER IM GEHÄUSE | | REWIND SPRING IN HOUSING | RESSORT RAPPEL DANS BOÎT | RESORTE RETENC. EN CAJA |
| 4 | 188 | 1 | 1 | | | | | | | | | 1 | 1 | 1 | 1 | 1 | 181 162 020 | | SEILTROMMEL | | CABLE DRUM | TAMBOUR DE CÂBLE | TAMBOUR PARA CORDÓN |
| 4 | 189 | 1 | 1 | | | | | | | | | 1 | 1 | 1 | 1 | 1 | 181 163 080 | | FEDER FÜR LEICHTSTART | | SPRING EASY-START | RESSORT DE RAPPEL | RESORTE RETENCIÓN |
| 4 | 190 | 1 | 1 | | | | | | | | | 1 | 1 | 1 | 1 | 1 | 181 163 090 | | MITNEHMER | | DRIVER FOR EASY-START | PIECE D'ENTRAINEMENT | ANILLO DE ARRASTRE |
| 4 | 191 | 1 | 1 | | | | | | | | | 1 | 1 | 1 | 1 | 1 | 181 163 095 | | SCHRAUBE | | SCREW | VIS | TORNILLO |
| 4 | 192 | 1 | 1 | | | | | | | | | 1 | 1 | 1 | 1 | 1 | 181 164 020 | | ANWERFSEIL | ø 3,5 x 1000 mm | STARTER ROPE | CORDE DE LANCEUR | CUERDA DE ARRANQUE |
| 4 | 192 | 1 | 1 | | | | | | | | | 1 | 1 | 1 | 1 | 1 | 985 000 155 | | ANWERFSEIL | ø 3,5 x 100 m | STARTER ROPE | CORDE DE LANCEUR | CUERDA DE ARRANQUE |
| 4 | 194 | 1 | 1 | | | | | | | | | 1 | 1 | 1 | 1 | 1 | 195 141 103 | | POLRAD KPL. | | FLYWHEEL CPL. | ROUE POLAIRE CPL. | VOLANTE ENCEND. CPL. |
| 4 | 195 | 1 | 1 | | | | | | | | | 1 | 1 | 1 | 1 | 1 | 195 166 100 | | ANWERFKLINKE KPL. | | STARTER RATCHET CPL. | CLIQUET CPL. | TRINQUETE ARRANQUE CPL. |

DCS460, DCS461, DCS500, DCS501,
DCS4600S, DCS4600SH, DCS5000,
DCS5000H, DCS5001, DCS5001H, DCS5121,
DCS460, DCS510, DCS5121, DE5045

5

Ölpumpe, Kupplung, Kettenbremse
Oil pump, clutch, chain brake
Pompe à huile, embrayage, frein de chaîne
Bomba de aceite, engrague, freno de cadena

Makita



DCS460, DCS461, DCS500, DCS501,
DCS4600S, DCS4600SH, DCS5000,
DCS5000H, DCS5001, DCS5001H, DCS5121,
DCS460, DCS510, DCS5121, DE5045

5

Ölpumpe, Kupplung, Kettenbremse
Oil pump, clutch, chain brake
Pompe à huile, embrayage, frein de chaîne
Bomba de aceite, engrague, freno de cadena



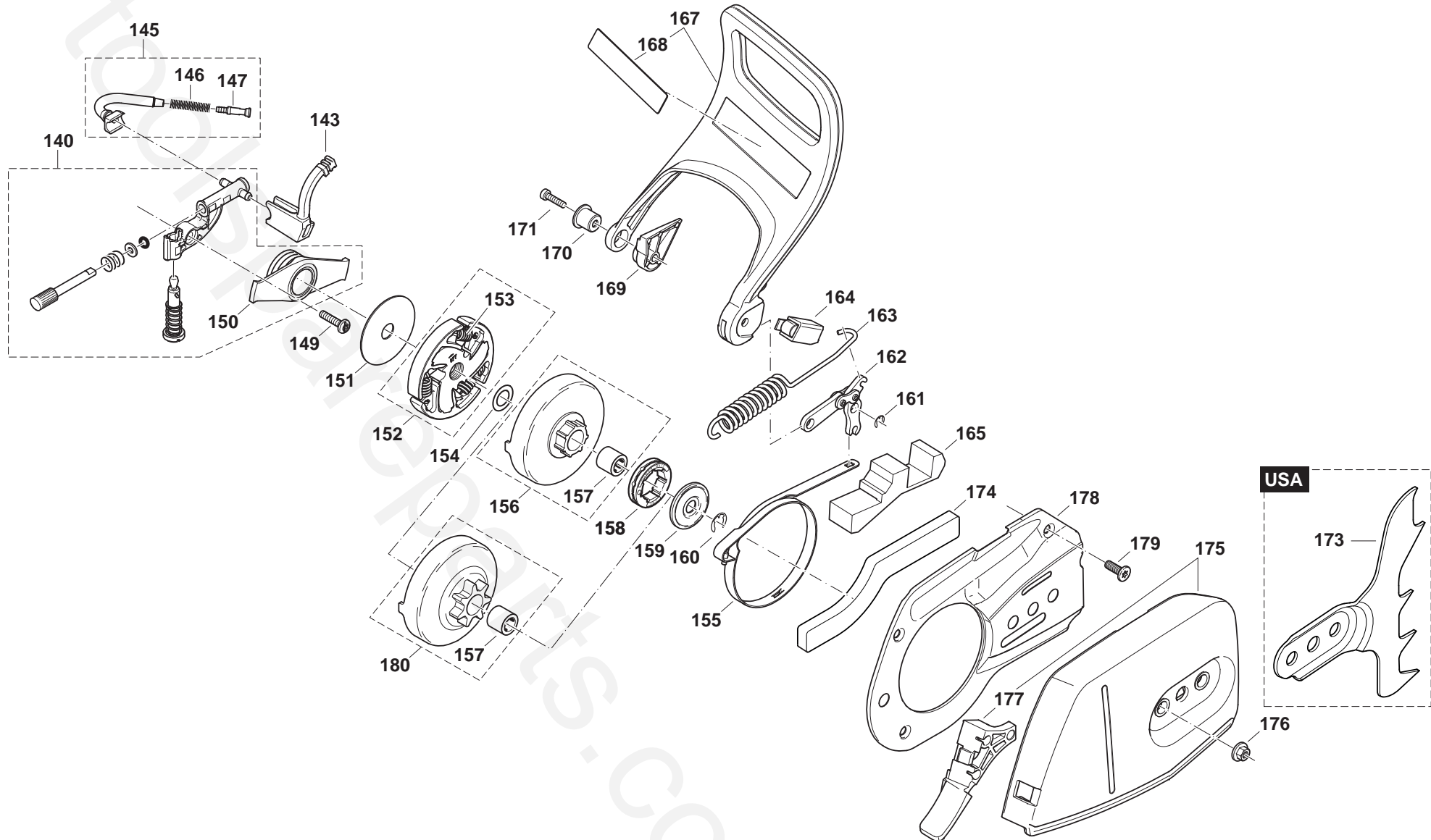
| Seite / Page | Pos. | DCS460 | DCS461 | DCS500 | DCS501 | DCS4600S | DCS4600SH | DCS5000 | DCS5000H | DCS5001 | DCS5001H | DCS5121 | DCS460 (USA) | DCS510 (USA) | DCS5121 (USA) | DE5045 | Teil-Nr. Part No. No. de pièce No. de pieza | Hinweise Notes Renseign. Nota | Bezeichnung | Spezifikation Specification | Description | Désignation | Denominación |
|--------------|------|--------|--------|--------|--------|----------|-----------|---------|----------|---------|----------|---------|--------------|--------------|---------------|--------|--|--|-----------------------------|--------------------------------|-----------------------|--------------------------------|------------------------------------|
| 5 | 140 | 1 | 1 | 1 | 1 | 1 | 1 | 1 | 1 | 1 | 1 | 1 | 1 | 1 | 1 | 1 | 181 245 251 | | ÖLPUMPE KPL. | | OIL PUMP CPL. | POMPE À HUILE CPL. | BOMBA DE ACEITE CPL. |
| 5 | 143 | 1 | 1 | 1 | 1 | 1 | 1 | 1 | 1 | 1 | 1 | 1 | 1 | 1 | 1 | 1 | 181 245 120 | | ÖLDRUCKLEITUNG | | PRESSURE LINE | CONDUITE HUILE | TUBO ACEITE |
| 5 | 145 | 1 | 1 | 1 | 1 | 1 | 1 | 1 | 1 | 1 | 1 | 1 | 1 | 1 | 1 | 1 | 181 245 100 | | ÖLSAUGLEITUNG KPL. | | SUCTION LINE | CONDUITE HUILE CPL. | TUBO ACEITE CPL. |
| 5 | 146 | 1 | 1 | 1 | 1 | 1 | 1 | 1 | 1 | 1 | 1 | 1 | 1 | 1 | 1 | 1 | 021 245 060 | | DRUCKFEDER | | SPRING | RESSORT | MUELLE |
| 5 | 147 | 1 | 1 | 1 | 1 | 1 | 1 | 1 | 1 | 1 | 1 | 1 | 1 | 1 | 1 | 1 | 001 245 020 | | NIPPEL | | HOSE STEM | TETON DE TUYAU | BOQUILLA DE TUBO |
| 5 | 149 | 1 | 1 | 1 | 1 | 1 | 1 | 1 | 1 | 1 | 1 | 1 | 1 | 1 | 1 | 1 | 908 705 125 | | SCHRAUBE | M5x12 | SCREW | VIS | TORNILLO |
| 5 | 150 | 1 | 1 | 1 | 1 | 1 | 1 | 1 | 1 | 1 | 1 | 1 | 1 | 1 | 1 | 1 | 181 245 090 | | ÖLPUMPENANTRIEB | | PUMP DRIVE | LE COMMANDE DE POMPE | PROPULSOR DE LA BOMBA |
| 5 | 151 | 1 | 1 | 1 | 1 | 1 | 1 | 1 | 1 | 1 | 1 | 1 | 1 | 1 | 1 | 1 | 001 182 042 | | FÜHRUNGSSCHEIBE | 44,5x1x12 | DISC | DISQUE | DISCO |
| 5 | 152 | 1 | 1 | 1 | 1 | 1 | 1 | 1 | 1 | 1 | 1 | 1 | 1 | 1 | 1 | 1 | 175 180 101 | | KUPPLUNG KPL. | | CLUTCH ASSY. | EMBRAYAGE CPL. | EMBRAGUE CPL. |
| 5 | 153 | 3 | 3 | 3 | 3 | 3 | 3 | 3 | 3 | 3 | 3 | 3 | 3 | 3 | 3 | 3 | 181 184 010 | | ZUGFEDER FÜR KUPPLUNG | | SPRING | RESSORT | RESORTE |
| 5 | 154 | 1 | 1 | 1 | 1 | 1 | 1 | 1 | 1 | 1 | 1 | 1 | 1 | 1 | 1 | 1 | 181 224 090 | | ANLAUFSCHLEIBE | 10x18x0,5 | SHIM | DISQUE DE DISTANCE | DISCO DE TOPE |
| 5 | 155 | 1 | 1 | 1 | 1 | 1 | 1 | 1 | 1 | 1 | 1 | 1 | 1 | 1 | 1 | 1 | 181 213 011 | | BREMSBAND | | BRAKE SPRING | RESSORT DE FREIN | CINTA DE FRENO |
| 5 | 156 | | | 1 | | 1 | 1 | 1 | 1 | 1 | 1 | | | | | 1 | 181 223 062 | | KUPPLUNGSTROMMEL KPL. | SMALL | CLUTCH DRUM CPL. | TAMBOUR CPL. | TAMBOR CPL. |
| 5 | 157 | 1 | 1 | 1 | 1 | 1 | 1 | 1 | 1 | 1 | 1 | 1 | 1 | 1 | 1 | 1 | 962 300 009 | | NADELHÜLSE | 10/14X12 | NEEDLE SLEEVER | DOUILLE D'AIGUILLE | CASQUILLO DE AGUJA |
| 5 | 158 | | | | | 1 | 1 | 1 | 1 | 1 | 1 | | | | | 1 | 181 224 040 | | ZAHNKRANZ | 325", Z=7, SM | RIM SPROCKET | PIGNON A GAGUE | CORONA PIÑON |
| 5 | 158 | 1 | | 1 | | 1 | 1 | 1 | 1 | 1 | 1 | | | | | 1 | 026 224 010 | | ZAHNKRANZ | 3/8", Z=7, SM | RIM SPROCKET | PIGNON A GAGUE | CORONA PIÑON |
| 5 | 159 | 1 | 1 | 1 | 1 | 1 | 1 | 1 | 1 | 1 | 1 | 1 | 1 | 1 | 1 | 1 | 181 224 081 | | TOPFSCHLEIBE | | DISC | DISQUE | ARANDELA |
| 5 | 160 | 1 | 1 | 1 | 1 | 1 | 1 | 1 | 1 | 1 | 1 | 1 | 1 | 1 | 1 | 1 | 927 408 000 | | SICHERUNGSSCHLEIBE | D=8X1,3 | WASHER | RONDELLE | ARANDELA |
| 5 | 161 | 1 | 1 | 1 | 1 | 1 | 1 | 1 | 1 | 1 | 1 | 1 | 1 | 1 | 1 | 1 | 927 304 000 | | SICHERUNGSSCHLEIBE | | SAFETY WASHER | RONDELLE SÉCURITÉ | ARANDELA SEGURIDAD |
| 5 | 162 | 1 | 1 | 1 | 1 | 1 | 1 | 1 | 1 | 1 | 1 | 1 | 1 | 1 | 1 | 1 | 181 213 100 | | BREMSMECHANIK KPL. | | BRKING MECHANISM | MECANISME DE FREINAGE | MECANISMO DE FRENO |
| 5 | 163 | 1 | 1 | 1 | 1 | 1 | 1 | 1 | 1 | 1 | 1 | 1 | 1 | 1 | 1 | 1 | 181 213 023 | | ZUGFEDER | | TENSION SPRING | RESSORT DE TRACTION | MUELLE DE TRACCIÓN |
| 5 | 164 | 1 | 1 | 1 | 1 | 1 | 1 | 1 | 1 | 1 | 1 | 1 | 1 | 1 | 1 | 1 | 181 213 170 | | KULISSE FÜR HANDSCHUTZ KPL. | | HANDGUARD GUIDE, CPL. | COULISSE P. PROTÈGE-MAINS CPL. | CULISA P. PROTECCIÓN DE MANOS CPL. |
| 5 | 165 | 1 | 1 | 1 | 1 | 1 | 1 | 1 | 1 | 1 | 1 | 1 | 1 | 1 | 1 | 1 | 181 213 371 | | SCHAUMSTOFFPLATTE | | FOAM SPONGE | PLAQUE DE MOUSSE DE NYLON | CHAPA DE ESPUMA DE PLÁST. |
| 5 | 167 | 1 | 1 | 1 | 1 | 1 | 1 | 1 | 1 | 1 | 1 | 1 | 1 | 1 | 1 | 1 | 181 213 161 | | HANDSCHUTZ KPL. | | HAND GUARD CPL. | PROTÈGE-MAIN CPL. | PROTECTOR DE MANO CPL. |
| 5 | 167 | | | | | | | | | | | | | | | 1 | 181 213 660 | | HANDSCHUTZ KPL. | | HAND GUARD CPL. | PROTÈGE-MAIN CPL. | PROTECTOR DE MANO CPL. |
| 5 | 168 | 1 | 1 | 1 | 1 | 1 | 1 | 1 | 1 | 1 | 1 | 1 | 1 | 1 | 1 | 1 | 980 114 237 | | SCHILD HANDSCHUTZ | | LABEL | PLAQUE | CALCOMANIA |
| 5 | 168 | | | | | | | | | | | | 1 | 1 | 1 | | 980 115 808 | | SICHERHEITSAUFKLEBER | US WARNING SPARKS | CAUTION LABEL | PLAQUE | CALCOMANIA |
| 5 | 168 | | | | | | | | | | | | | | | 1 | 980 115 200 | | SCHILD HANDSCHUTZ | J | LABEL | PLAQUE | CALCOMANIA |
| 5 | 169 | 1 | 1 | 1 | 1 | 1 | 1 | 1 | 1 | 1 | 1 | 1 | 1 | 1 | 1 | 1 | 181 213 310 | | DISTANZSTÜCK HANDSCHUTZ | | SPACER | PIÈCE DISTANCE | SEPARADOR |
| 5 | 170 | 1 | 1 | 1 | 1 | 1 | 1 | 1 | 1 | 1 | 1 | 1 | 1 | 1 | 1 | 1 | 181 213 320 | | BUCHSE FÜR HANDSCHUTZ | | BUSHING | DOUILLE | CASQUILLO |

DCS460, DCS461, DCS500, DCS501,
DCS4600S, DCS4600SH, DCS5000,
DCS5000H, DCS5001, DCS5001H, DCS5121,
DCS460, DCS510, DCS5121, DE5045

5

Ölpumpe, Kupplung, Kettenbremse
Oil pump, clutch, chain brake
Pompe à huile, embrayage, frein de chaîne
Bomba de aceite, engrague, freno de cadena

Makita



DCS460, DCS461, DCS500, DCS501,
DCS4600S, DCS4600SH, DCS5000,
DCS5000H, DCS5001, DCS5001H, DCS5121,
DCS460, DCS510, DCS5121, DE5045

5

Ölpumpe, Kupplung, Kettenbremse
Oil pump, clutch, chain brake
Pompe à huile, embrayage, frein de chaîne
Bomba de aceite, engrague, freno de cadena



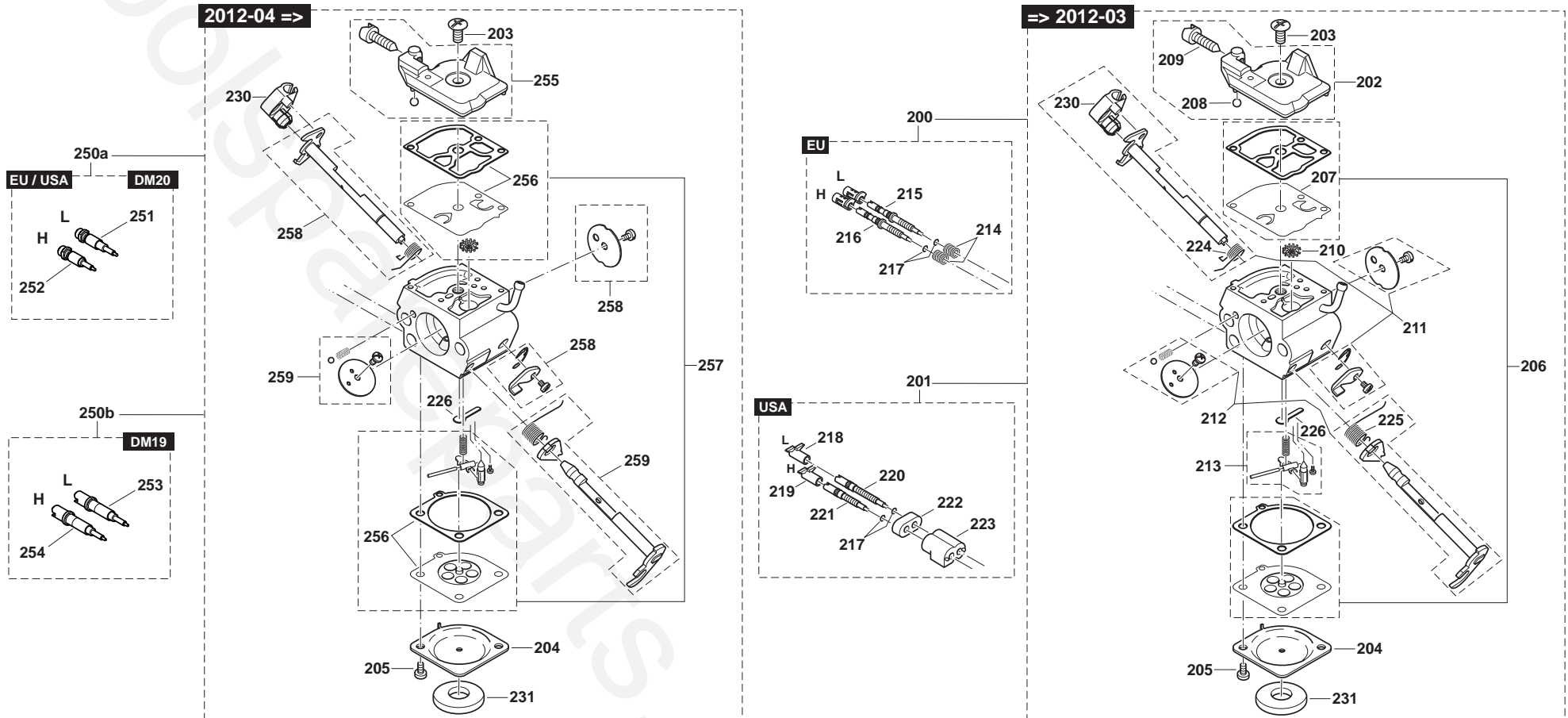
| Seite / Page | Pos. | DCS460 | DCS461 | DCS500 | DCS501 | DCS4600S | DCS4600SH | DCS5000 | DCS5000H | DCS5001 | DCS5001H | DCS5121 | DCS460 (USA) | DCS510 (USA) | DCS5121 (USA) | DE5045 | Teil-Nr. Part No. No. de pièce No. de pieza | Hinweise Notes Renseign. Nota | Bezeichnung | Spezifikation Specification | Description | Désignation | Denominación |
|--------------|------|--------|--------|--------|--------|----------|-----------|---------|----------|---------|----------|---------|--------------|--------------|---------------|--------|--|--|--------------------------------------|--------------------------------|-----------------------------|------------------------------|---------------------------------|
| 5 | 171 | 1 | 1 | 1 | 1 | 1 | 1 | 1 | 1 | 1 | 1 | 1 | 1 | 1 | 1 | 1 | 908 805 205 | | ZYLINDERSCHRAUBE MIT SPANNSCHEIBE | M5X20 | SCREW | VIS | TORNILLO |
| 5 | 173 | | | | | | | | | | | | | | 1 | | 181 250 030 | | ZACKENLEISTE | USA | SPIKE BAR | BARRE DENTÉE | BARRA DENTADA |
| 5 | 174 | 1 | 1 | 1 | 1 | 1 | 1 | 1 | 1 | 1 | 1 | 1 | 1 | 1 | 1 | 1 | 181 213 400 | | SCHAUMSTOFFPLATTE | | FOAM SPONGE | PLAQUE DE MOUSSE DE NYLON | CHAPA DE ESPUMA DE PLÁST. |
| 5 | 175 | 1 | 1 | 1 | 1 | 1 | 1 | 1 | 1 | 1 | 1 | 1 | 1 | 1 | 1 | 1 | 957 213 600 | | KETTENRADSCHUTZ BLAU KPL. | | SPROCKET GUARD CPL. BLUE | PROTÈGE-PIGNON CPL. BLEU | PROTECTOR DE PIÑÓN CPL. AZUL |
| 5 | 176 | 2 | 2 | 2 | 2 | 2 | 2 | 2 | 2 | 2 | 2 | 2 | 2 | 2 | 2 | 2 | 923 208 004 | | 6KT-MUTTER | M8 | HAXAGONAL NUT | ECROU HEXAGONAL | TUERCA HEXAGONAL |
| 5 | 177 | 1 | 1 | 1 | 1 | 1 | 1 | 1 | 1 | 1 | 1 | 1 | 1 | 1 | 1 | 1 | 957 213 220 | | SPANABWEISER | | CHIP GUIDE | GUIDE DE COPEAUX | SALIDA DE VIRUTAS |
| 5 | 178 | 1 | 1 | 1 | 1 | 1 | 1 | 1 | 1 | 1 | 1 | 1 | 1 | 1 | 1 | 1 | 181 213 191 | | ABDECKUNG KETTENBREMSE | | COVER | COUVERCLE | CUBIERTA |
| 5 | 179 | 3 | 3 | 3 | 3 | 3 | 3 | 3 | 3 | 3 | 3 | 3 | 3 | 3 | 3 | 3 | 908 105 126 | | SCHRAUBE | M5x12 | SCREW | VIS | TORNILLO |
| 5 | 180 | 1 | 1 | 1 | 1 | | | | | | | 1 | 1 | 1 | | | 181 223 311 | | KUPPLUNGSTROMMEL KPL. | .325", Z=7 | CLUTCH DRUM CPL. | TAMBOUR CPL. | TAMBOR CPL. |
| 5 | 180 | 1 | 1 | 1 | 1 | | | | | | | 1 | 1 | 1 | | | 181 223 321 | | KUPPLUNGSTROMMEL KPL. | 3/8", Z=7 | CLUTCH DRUM CPL. | TAMBOUR CPL. | TAMBOR CPL. |

DCS460, DCS461, DCS500, DCS501,
DCS4600S, DCS4600SH, DCS5000,
DCS5000H, DCS5001, DCS5001H, DCS5121,
DCS460, DCS510, DCS5121, DE5045

6

Vergaser
Carburetor
Carburateur
Carburador

Makita



DCS460, DCS461, DCS500, DCS501,
DCS4600S, DCS4600SH, DCS5000,
DCS5000H, DCS5001, DCS5001H, DCS5121,
DCS460 , DCS510 , DCS5121 , DE5045

6

Vergaser
Carburetor
Carburateur
Carburador



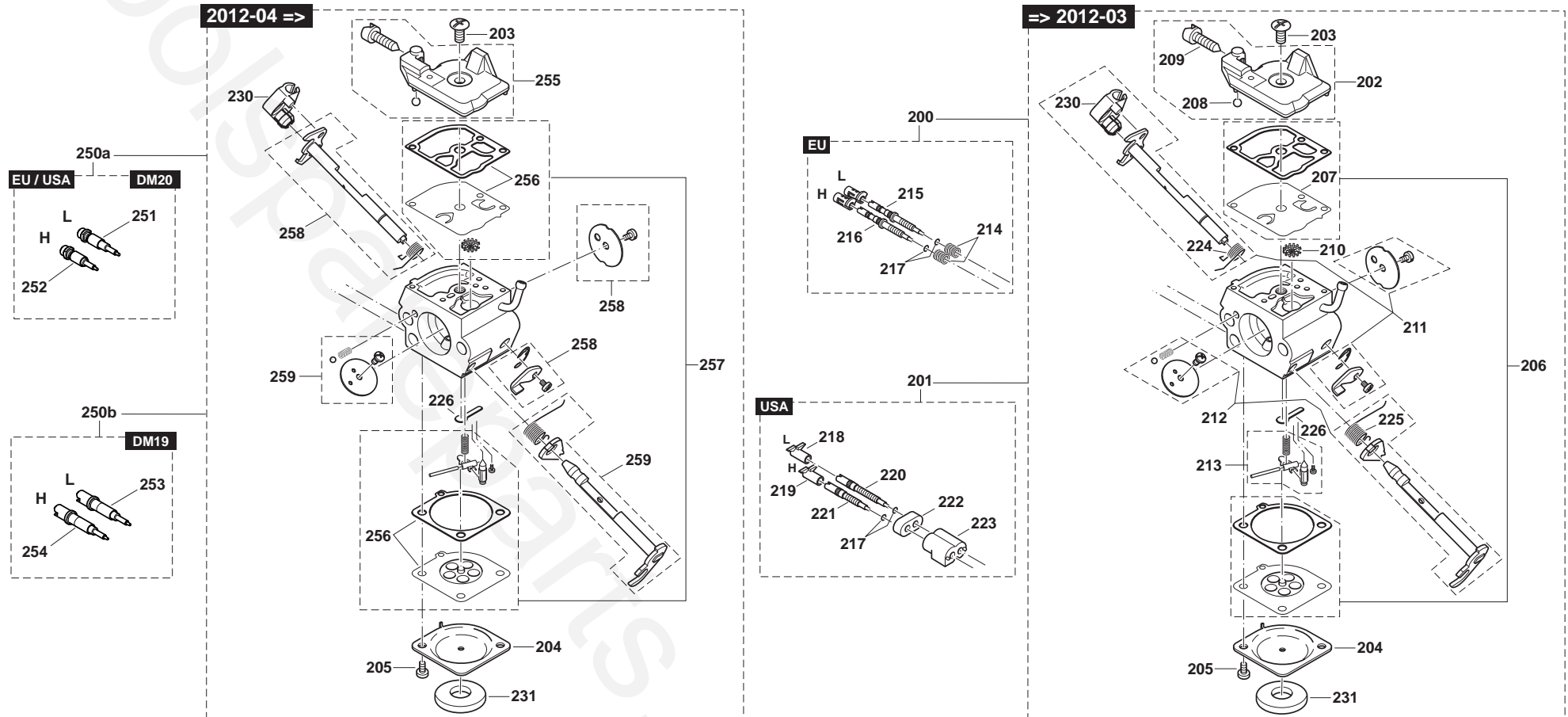
| Seite / Page | Pos. | DCS460 | DCS461 | DCS500 | DCS501 | DCS4600S | DCS4600SH | DCS5000 | DCS5000H | DCS5001 | DCS5001H | DCS5121 | DCS460 (USA) | DCS510 (USA) | DCS5121 (USA) | DE5045 | Teil-Nr. Part No. No. de pièce No. de pieza | Hinweise Notes Renseign. Nota | Bezeichnung | Spezifikation Specification | Description | Désignation | Denominación |
|--------------|------|--------|--------|--------|--------|----------|-----------|---------|----------|---------|----------|---------|--------------|--------------|---------------|--------|--|--|-------------|--------------------------------|----------------------------|------------------------------|--------------|
| 6 | 200 | 1 | 1 | 1 | 1 | 1 | 1 | 1 | 1 | 1 | 1 | 1 | | | | 1 | 181 153 100 => 2012-03 | VERGASER KPL. | LC - EU / J | CARBURETOR | CARBURATEUR | CARBURADOR | |
| 6 | 201 | | | | | | | | | | | | 1 | 1 | 1 | | 181 153 300 => 2012-03 | VERGASER KPL. | LC - US | CARBURETOR | CARBURATEUR | CARBURADOR | |
| 6 | 202 | 1 | 1 | 1 | 1 | 1 | 1 | 1 | 1 | 1 | 1 | 1 | 1 | 1 | 1 | 1 | 181 153 030 => 2012-03 | PUMPENDECKEL KPL. | | PUMP COVER CPL. | COUVERCLE DE POMPE CPL. | TAPA DE BOMBA CPL. | |
| 6 | 203 | 1 | 1 | 1 | 1 | 1 | 1 | 1 | 1 | 1 | 1 | 1 | 1 | 1 | 1 | 1 | 038 153 360 | SCHRAUBE FÜR PUMPENDECKEL | | SCREW | VIS | TORNILLO | |
| 6 | 204 | 1 | 1 | 1 | 1 | 1 | 1 | 1 | 1 | 1 | 1 | 1 | 1 | 1 | 1 | 1 | 181 153 040 | MEMBRANDECKEL | | DIAPHRAGM COVER | COUVERCLE DE MEMBRANE | TAPA DE MEMBRANA | |
| 6 | 205 | 2 | 2 | 2 | 2 | 2 | 2 | 2 | 2 | 2 | 2 | 2 | 2 | 2 | 2 | 2 | 001 153 020 => 2012-03 | SCHRAUBE FÜR REGELDECKEL | | SCREW | VIS | TORNILLO | |
| 6 | 206 | 1 | 1 | 1 | 1 | 1 | 1 | 1 | 1 | 1 | 1 | 1 | 1 | 1 | 1 | 1 | 181 153 020 => 2012-03 | DICHTUNG UND MEMBRANSATZ | | SET DIAPHRAGM / GASKETS | JEU DE MEMBRANES / JOINTS | JUEGO MEMBRANAS / JUNTAS | |
| 6 | 207 | 1 | 1 | 1 | 1 | 1 | 1 | 1 | 1 | 1 | 1 | 1 | 1 | 1 | 1 | 1 | 181 153 050 | PUMPENMEMBRAN, TEFLON | | PUMP DIAPHRAGM TEFLON | MEMBRANE DE POMPE TEFLON | MEMBRANA DE LA BOMBA TEFLON | |
| 6 | 207 | 1 | 1 | 1 | 1 | 1 | 1 | 1 | 1 | 1 | 1 | 1 | 1 | 1 | 1 | 1 | 181 153 060 | PUMPENMEMBRAN, GUMMI | | PUMP DIAPHRAGM RUBBER | MEMBRANE DE POMPE CAOUTCH. | MEMBRANA DE LA BOMBA CAUCHO | |
| 6 | 208 | 1 | 1 | 1 | 1 | 1 | 1 | 1 | 1 | 1 | 1 | 1 | 1 | 1 | 1 | 1 | 038 153 210 | ARRETIERKUGEL | | FRICTION BALL | BILLE DE ARRÊT | BOLA | |
| 6 | 209 | 1 | 1 | 1 | 1 | 1 | 1 | 1 | 1 | 1 | 1 | 1 | 1 | 1 | 1 | 1 | 181 153 070 => 2012-03 | LEERLAUF-ANSCHLAG SCHRAUBE | S | IDLE STOP SCREW | VIS DE BUTÉE DE RALENTI | TORNILLO DE TOPE | |
| 6 | 210 | 1 | 1 | 1 | 1 | 1 | 1 | 1 | 1 | 1 | 1 | 1 | 1 | 1 | 1 | 1 | 036 153 040 | SIEB | | SCREEN | TAMIS | TAMIZ | |
| 6 | 211 | 1 | 1 | 1 | 1 | 1 | 1 | 1 | 1 | 1 | 1 | 1 | 1 | 1 | 1 | 1 | 957 153 090 => 2012-03 | REP.-SATZ DROSSELWELLE | | KIT THROTTLE SHAFT | JEU AXE CLAPET D'ÉTRANG. | JUEGO EJE VÁLVULA REG. | |
| 6 | 212 | 1 | 1 | 1 | 1 | 1 | 1 | 1 | 1 | 1 | 1 | 1 | 1 | 1 | 1 | 1 | 957 153 080 => 2012-03 | REP.-SATZ CHOKEWELLE | | KIT CHOKE SHAFT | JEU AXE CLAPET D'AIR | JUEGO EJE VÁLVULA AIRE | |
| 6 | 213 | 1 | 1 | 1 | 1 | 1 | 1 | 1 | 1 | 1 | 1 | 1 | 1 | 1 | 1 | 1 | 957 153 070 => 2012-03 | STEUERTEILE | | CONTROL PARTS | PIÈCES DE COMMANDE | PIEZAS DE MANDO | |
| 6 | 214 | 2 | 2 | 2 | 2 | 2 | 2 | 2 | 2 | 2 | 2 | 2 | | | | 2 | 028 153 480 => 2012-03 | FEDER | | SPRING | RESSORT | RESORTE | |
| 6 | 215 | 1 | 1 | 1 | 1 | 1 | 1 | 1 | 1 | 1 | 1 | 1 | | | | 1 | 181 153 180 => 2012-03 | LEERLAUF-STELLSCHRAUBE | L - EU | IDLE ADJUSTMENT SCREW | VIS DE RÉGL. DE RALENTI | TORNILLO REGULADOR | |
| 6 | 216 | 1 | 1 | 1 | 1 | 1 | 1 | 1 | 1 | 1 | 1 | 1 | | | | 1 | 181 153 190 => 2012-03 | VOLLGAS-STELLSCHR AUBE | H - EU | MAIN ADJUSTMENT SCREW | VIS DE RÉGL. PLEIN GAZ | TORNILLO REGULADOR | |
| 6 | 217 | 2 | 2 | 2 | 2 | 2 | 2 | 2 | 2 | 2 | 2 | 2 | 2 | 2 | 2 | 2 | 181 153 220 => 2012-03 | SCHEIBE | | WASHER | RONDELLE | ARANDELA | |
| 6 | 218 | | | | | | | | | | | | 1 | 1 | 1 | | 181 153 280 => 2012-03 | LIMITER CAP, WEISS | US | LIMITER CAP, WHITE | CAPUCHON LIMITEUR, BLANC | CAPUCHONE LIMITADORE, BLANCO | |
| 6 | 219 | | | | | | | | | | | | 1 | 1 | 1 | | 038 153 310 => 2012-03 | LIMITER CAP, ROT | US | LIMITER CAP, RED | CAPUCHON LIMITEUR, ROUGE | CAPUCHONE LIMITADORE, ROJO | |
| 6 | 220 | | | | | | | | | | | | 1 | 1 | 1 | | 181 153 260 => 2012-03 | LEERLAUF-STELLSCHRAUBE | L - US | IDLE ADJUSTMENT SCREW | VIS DE RÉGL. DE RALENTI | TORNILLO REGULADOR | |
| 6 | 221 | | | | | | | | | | | | 1 | 1 | 1 | | 181 153 270 => 2012-03 | VOLLGAS-STELLSCHR AUBE | H - US | MAIN ADJUSTMENT SCREW | VIS DE RÉGL. PLEIN GAZ | TORNILLO REGULADOR | |
| 6 | 222 | | | | | | | | | | | | 1 | 1 | 1 | | 181 153 290 => 2012-03 | GUMMIRING | US | RUBBER RING | RONDELLE DE CAOUTCHOUC | ARANDELA DE GOMA | |

DCS460, DCS461, DCS500, DCS501,
DCS4600S, DCS4600SH, DCS5000,
DCS5000H, DCS5001, DCS5001H, DCS5121,
DCS460, DCS510, DCS5121, DE5045

6

Vergaser
Carburetor
Carburateur
Carburador

Makita[®]



DCS460, DCS461, DCS500, DCS501,
DCS4600S, DCS4600SH, DCS5000,
DCS5000H, DCS5001, DCS5001H, DCS5121,
DCS460, DCS510, DCS5121, DE5045

6

Vergaser
Carburetor
Carburateur
Carburador



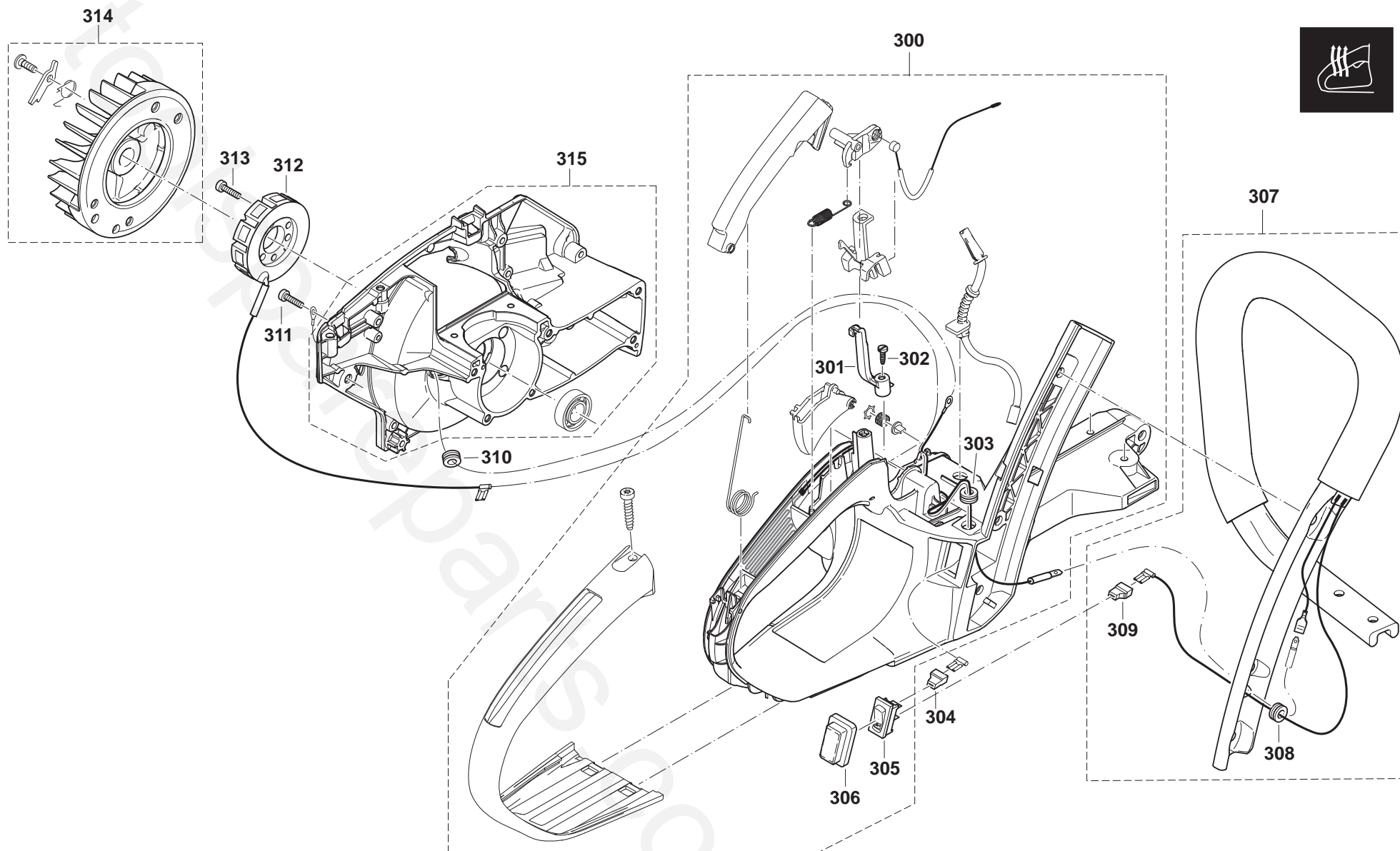
| Seite / Page | Pos. | DCS460 | DCS461 | DCS500 | DCS501 | DCS4600S | DCS4600SH | DCS5000 | DCS5000H | DCS5001 | DCS5001H | DCS5121 | DCS460 (USA) | DCS510 (USA) | DCS5121 (USA) | DE5045 | Teil-Nr. Part No. No. de pièce No. de pieza | Hinweise Notes Renseign. Nota | Bezeichnung | Spezifikation Specification | Description | Désignation | Denominación |
|--------------|------|--------|--------|--------|--------|----------|-----------|---------|----------|---------|----------|---------|--------------|--------------|---------------|--------|--|--|--|---------------------------------------|---|--|--|
| 6 | 223 | | | | | | | | | | | | 1 | 1 | 1 | | 038 153 320 | => 2012-03 | EINSTELLFÜHRUNG | US | ADJUSTING GUIDE | GUIDAGE D'AJUSTAGE | GUÍA DE AJUSTE |
| 6 | 224 | 1 | 1 | 1 | 1 | 1 | 1 | 1 | 1 | 1 | 1 | 1 | 1 | 1 | 1 | 1 | 181 153 110 | | DREHFEDER FÜR DROSSELKLAPPE | | SPRING | RESSORT | RESORTE |
| 6 | 225 | 1 | 1 | 1 | 1 | 1 | 1 | 1 | 1 | 1 | 1 | 1 | 1 | 1 | 1 | 1 | 181 153 160 | | DREHFEDER | | SPRING | RESSORT | RESORTE |
| 6 | 226 | 1 | 1 | 1 | 1 | 1 | 1 | 1 | 1 | 1 | 1 | 1 | 1 | 1 | 1 | 1 | 181 153 210 | => 2012-03 | VERSCHLUßSCHEIBE | | PLUG-WELCH | RONDELLE DE FERMETURE | DISCO DE CIERRE |
| 6 | 230 | 1 | 1 | 1 | 1 | 1 | 1 | 1 | 1 | 1 | 1 | 1 | 1 | 1 | 1 | 1 | 038 155 012 | | AUFNAHME FÜR BOWDENZUG | | RETAINING CLIP | SUPPORT DU DISPOS. DE TIRAGE | TRACCIÓN BOWDEN, SOPORTE |
| 6 | 231 | 1 | 1 | 1 | 1 | 1 | 1 | 1 | 1 | 1 | 1 | 1 | 1 | 1 | 1 | 1 | 965 402 995 | | DICHTUNG SELBSTKLEBEND | | GASKET | JOINT | JUNTA |
| 6 | 250a | 1 | 1 | 1 | 1 | 1 | 1 | 1 | 1 | 1 | 1 | 1 | 1 | 1 | 1 | 1 | 181 153 301 | 2012-04 => | VERGASER KPL. | DM20, DD - EU, USA (regulated market) | CARBURETOR | CARBURATEUR | CARBURADOR |
| 6 | 250b | 1 | 1 | 1 | 1 | 1 | 1 | 1 | 1 | 1 | 1 | 1 | 1 | 1 | 1 | 1 | 181 153 101 | 2012-04 => | VERGASER KPL. | DM19 (non regulated market) | CARBURETOR | CARBURATEUR | CARBURADOR |
| 6 | 251 | 1 | 1 | 1 | 1 | 1 | 1 | 1 | 1 | 1 | 1 | 1 | 1 | 1 | 1 | 1 | 181 153 261 | 2012-04 => | STELLSCHRAUBE | L DD - EU, US (regulated market) | IDLE ADJUSTMENT SCREW | VIS DE RÉGL. DE RALENTI | TORNILLO REGULADOR |
| 6 | 252 | 1 | 1 | 1 | 1 | 1 | 1 | 1 | 1 | 1 | 1 | 1 | 1 | 1 | 1 | 1 | 181 153 271 | 2012-04 => | STELLSCHRAUBE | H DD - EU, US (regulated market) | MAIN ADJUSTMENT SCREW | VIS DE RÉGL. PLEIN GAZ | TORNILLO REGULADOR |
| 6 | 253 | 1 | 1 | 1 | 1 | 1 | 1 | 1 | 1 | 1 | 1 | 1 | 1 | 1 | 1 | 1 | 181 153 181 | 2012-04 => | STELLSCHRAUBE | L (non regulated market) | IDLE ADJUSTMENT SCREW | VIS DE RÉGL. DE RALENTI | TORNILLO REGULADOR |
| 6 | 254 | 1 | 1 | 1 | 1 | 1 | 1 | 1 | 1 | 1 | 1 | 1 | 1 | 1 | 1 | 1 | 181 153 191 | 2012-04 => | STELLSCHRAUBE | H (non regulated market) | MAIN ADJUSTMENT SCREW | VIS DE RÉGL. PLEIN GAZ | TORNILLO REGULADOR |
| 6 | 255 | 1 | 1 | 1 | 1 | 1 | 1 | 1 | 1 | 1 | 1 | 1 | 1 | 1 | 1 | 1 | 181 153 031 | 2012-04 => | PUMPENDECKEL KPL. | | PUMP COVER CPL. | COUVERCLE DE POMPE CPL. | TAPA DE BOMBA CPL. |
| 6 | 256 | 1 | 1 | 1 | 1 | 1 | 1 | 1 | 1 | 1 | 1 | 1 | 1 | 1 | 1 | 1 | 181 153 021 | 2012-04 => | DICHTUNG UND MEMBRAN, SATZ (INKL. PUMPENMEMBRAN GUMMI+MYLAR) | | SET DIAPHRAGM / GASKETS (INCL. PUMP DIAPHRAGM RUBBER+MYLAR) | JEU DE MEMBRANES / JOINTS (INCL. MEMBRANE DE POMPE CAOUTCH.+MYLAR) | JUEGO MEMBRANAS / JUNTAS (INCL. MEMBRANA DE LA BOMBA CAUCHO+MYLAR) |
| 6 | 257 | 1 | 1 | 1 | 1 | 1 | 1 | 1 | 1 | 1 | 1 | 1 | 1 | 1 | 1 | 1 | 181 153 560 | 2012-04 => | REPARATURSATZ VERGASER | | REBUILD KIT | JEU DE RÉPARATION | JUEGO DE REPARAR |
| 6 | 258 | 1 | 1 | 1 | 1 | 1 | 1 | 1 | 1 | 1 | 1 | 1 | 1 | 1 | 1 | 1 | 181 153 570 | 2012-04 => | REP.-SATZ DROSSELWELLE | | KIT THROTTLE SHAFT | JEU AXE CLAPET D'ÉTRANG. | JUEGO EJE VÁLVULA REG. |
| 6 | 259 | 1 | 1 | 1 | 1 | 1 | 1 | 1 | 1 | 1 | 1 | 1 | 1 | 1 | 1 | 1 | 181 153 580 | 2012-04 => | REP.-SATZ CHOKEWELLE | | KIT CHOKE SHAFT | JEU AXE CLAPET D'AIR | JUEGO EJE VÁLVULA AIRE |

DCS460, DCS461, DCS500, DCS501,
DCS4600S, DCS4600SH, DCS5000,
DCS5000H, DCS5001, DCS5001H, DCS5121,
DCS460, DCS510, DCS5121, DE5045

7

Spezialteile für Ausrüstung mit elektrischer Griffheizung
Special parts for version with electric handle heating
Pièces spéciales pour version avec chauffage de la poignée (électrique)
Piezas especiales por tipo con calefacción eléctrica de mango

Makita



DCS460, DCS461, DCS500, DCS501,
DCS4600S, DCS4600SH, DCS5000,
DCS5000H, DCS5001, DCS5001H, DCS5121,
DCS460, DCS510, DCS5121, DE5045

7

Spezialteile für Ausrüstung mit elektrischer Griffheizung
Special parts for version with electric handle heating
Pièces spéciales pour version avec chauffage de la poignée (électrique)
Piezas especiales por tipo con calefacción eléctrica de mango



| Seite / Page | Pos. | DCS4600SH | DCS5000H | DCS5001H | Teil-Nr. Part No. No. de pièce No. de pieza | Hinweise Notes Renseign. Nota | Bezeichnung | Spezifikation Specification | Description | Désignation | Denominación |
|--------------|------|-----------|----------|----------|--|--|--------------------------------|--------------------------------|-----------------------------|-----------------------------|-----------------------------|
| 7 | 300 | 1 | 1 | 1 | 181 114 670 | | KRAFTSTOFFTANK BLAU KPL. HEIZ. | | TANK CPL. BLUE HANDLE HEAT. | RÉSERVOIR CPL. BLEU CHAUFF. | DEPÓSITO CPL. AZUL CALEFAC. |
| 7 | 300 | 1 | 1 | 1 | 181 114 730 | | KRAFTSTOFFTANK BLAU KPL. HEIZ. | USA (EPA), INCL.181b | TANK CPL. BLUE HANDLE HEAT. | RÉSERVOIR CPL. BLEU CHAUFF. | DEPÓSITO CPL. AZUL CALEFAC. |
| 7 | 301 | 1 | 1 | 1 | 181 148 071 | | KABELFÜHRUNG | | CABLE GUIDE | PASSE-CÂBLES | PASAMUROS PARA CABLE |
| 7 | 302 | 1 | 1 | 1 | 915 535 100 | | SCHRAUBE | 3,5x9,5 | SCREW | VIS | TORNILLO |
| 7 | 303 | 1 | 1 | 1 | 965 401 011 | | GUMMITÜLLE | | RUBBER BUSHING | GAINÉ CAOUTCHOUC | BOQUILLA DE CAUCHO |
| 7 | 304 | 1 | 1 | 1 | 038 146 030 | | ISOLIERKAPPE GELB | | INSULATING CAP | CHAPE D'ISOLATION | CUBIERTO DE AISLADOR |
| 7 | 305 | 1 | 1 | 1 | 975 001 230 | | GERÄTESCHALTER EIN/AUS | | SWITCH | INTERRUPTEUR | INTERRUPTOR |
| 7 | 306 | 1 | 1 | 1 | 975 001 260 | | KAPPE FÜR GERÄTESCHALTER | | SWITCH END CAP | CAPUCHON | CAPERUZA |
| 7 | 307 | 1 | 1 | 1 | 181 310 150 | | BÜGELGRIFF KPL. HEIZUNG | | TUBULAR HANDLE ASSY. | POIGNÉE TUBULAIRE CPL. | MANGO TUBULAR CPL. |
| 7 | 308 | 1 | 1 | 1 | 965 401 011 | | GUMMITÜLLE | | RUBBER BUSHING | GAINÉ CAOUTCHOUC | BOQUILLA DE CAUCHO |
| 7 | 309 | 1 | 1 | 1 | 038 146 030 | | ISOLIERKAPPE GELB | | INSULATING CAP | CHAPE D'ISOLATION | CUBIERTO DE AISLADOR |
| 7 | 310 | 1 | 1 | 1 | 965 401 011 | | GUMMITÜLLE | | RUBBER BUSHING | GAINÉ CAOUTCHOUC | BOQUILLA DE CAUCHO |
| 7 | 311 | 1 | 1 | 1 | 908 004 125 | | INNENSTERN-SCHRAUBE | 4x12 | SCREW | VIS | TORNILLO |
| 7 | 312 | 1 | 1 | 1 | 181 148 060 | | GENERATORANKER HEIZUNG | | GENERATOR COIL | BOBINE GÉNÉRATRICE | BOBINA GENERADOR |
| 7 | 313 | 3 | 3 | 3 | 908 004 125 | | INNENSTERN-SCHRAUBE | 4x12 | SCREW | VIS | TORNILLO |
| 7 | 314 | 1 | 1 | 1 | 181 148 105 | | POLRAD KPL. GRIFFHEIZUNG | | FLYWHEEL ASSY. | ROUE POLAIRE CPL. | VOLANTE ENCENDIDO |
| 7 | 315 | 1 | 1 | 1 | 181 111 663 | | KURBELGEHÄUSE MS BLAU HEIZ. | | CRANKC. MA. SIDE BLUE | CARTER-COTÉ MAGN. | CÁRTER CIG. LADO MAG. |

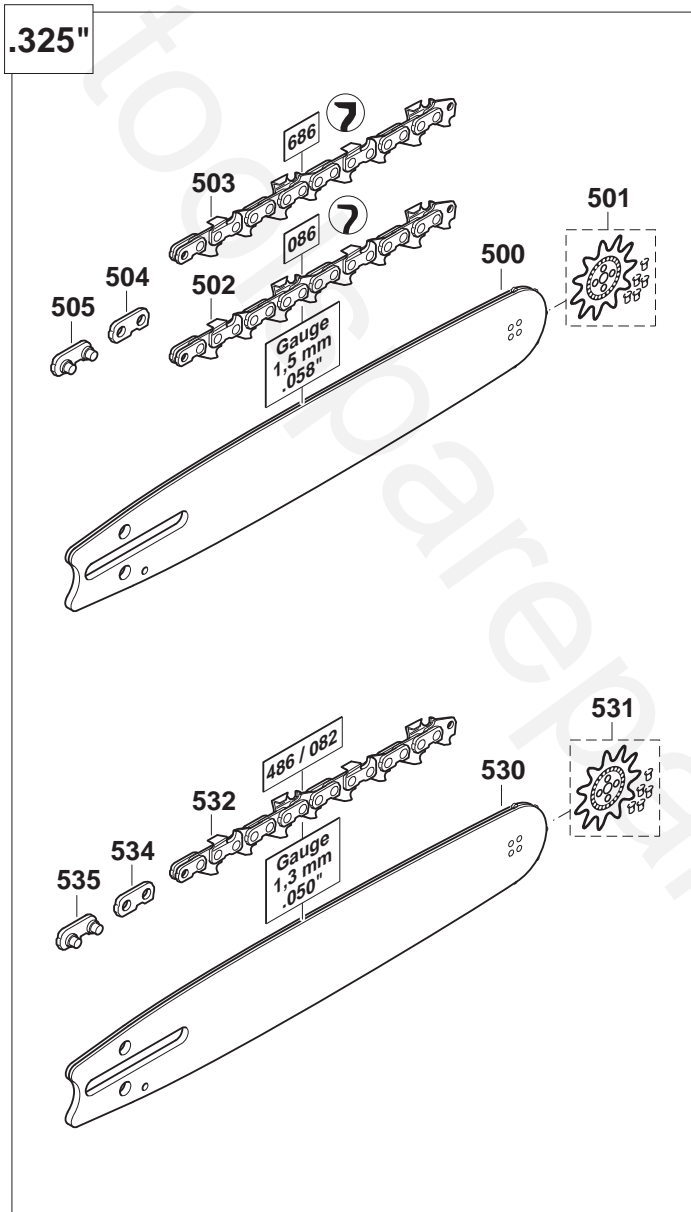
DCS460, DCS461, DCS500, DCS501,
DCS4600S, DCS4600SH, DCS5000,
DCS5000H, DCS5001, DCS5001H, DCS5121,
DCS460, DCS510, DCS5121, DE5045

8

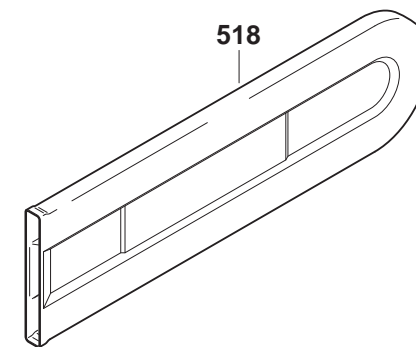
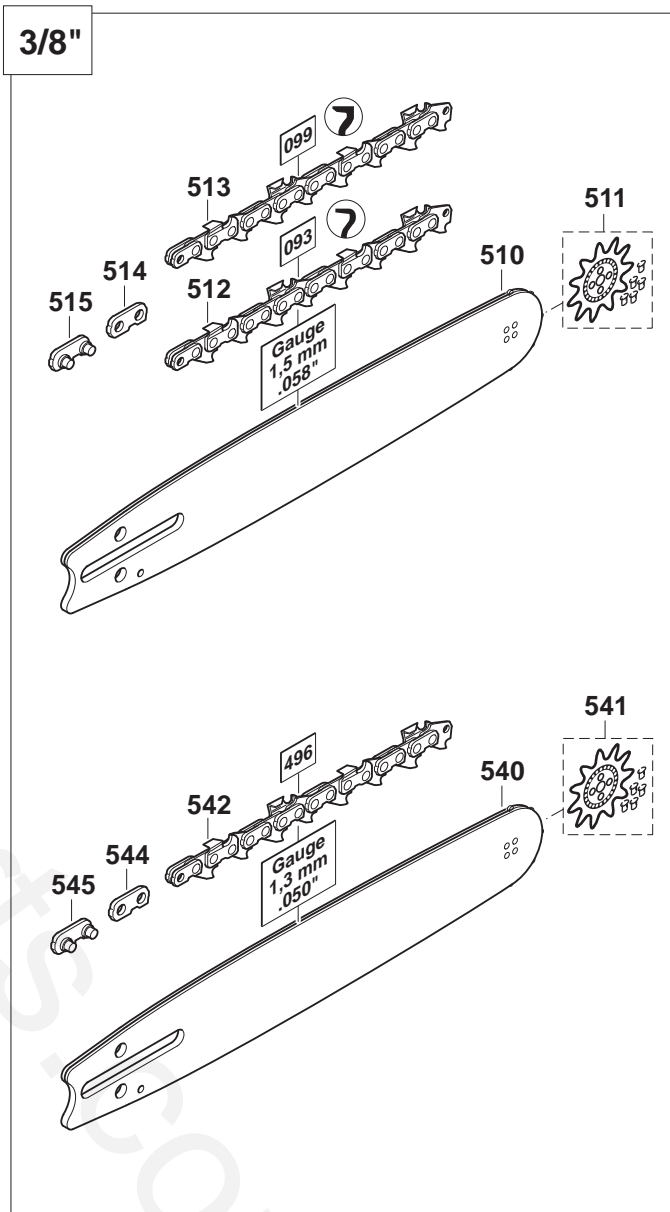
Sägeschienen, Sägeketten, Werkzeug
Guide bars, saw chains, tools
Guide-chaîne, chaînes, outils
Rieles guía, cadenas sierra, herramientas

Makita®

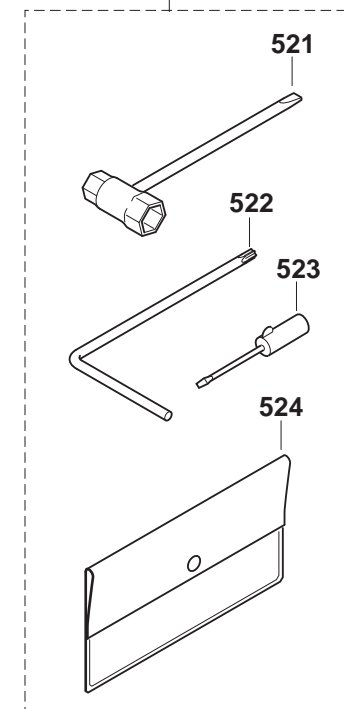
.325"



3/8"



520



DCS460, DCS461, DCS500, DCS501,
DCS4600S, DCS4600SH, DCS5000,
DCS5000H, DCS5001, DCS5001H, DCS5121,
DCS460 , DCS510 , DCS5121 , DE5045

8

Sägeschienen, Sägeketten, Werkzeug
Guide bars, saw chains, tools
Guide-chaîne, chaînes, outils
Rieles guía, cadenas sierra, herramientas



| Seite / Page | Pos. | DCS460 | DCS461 | DCS500 | DCS501 | DCS4600S | DCS4600SH | DCS5000 | DCS5000H | DCS5001 | DCS5001H | DCS5121 | DCS460 (USA) | DCS510 (USA) | DCS5121 (USA) | DE5045 | Teil-Nr. Part No. No. de pièce No. de pieza | Hinweise Notes Renseign. Nota | Bezeichnung | Spezifikation Specification | Description | Désignation | Denominación |
|--------------|------|--------|--------|--------|--------|----------|-----------|---------|----------|---------|----------|---------|--------------|--------------|---------------|--------|--|--|----------------------|--------------------------------|-----------------------|------------------------------|-------------------------|
| 8 | 500 | 1 | 1 | 1 | 1 | 1 | 1 | 1 | 1 | 1 | 1 | 1 | 1 | 1 | 1 | 1 | 445 033 631 | | STERNSCHIENE | .325" .058" 33CM-13" | SPROCKET NOSE BAR | GUIDE À ÉTOILE | GUÍA CON ESTRELLA |
| 8 | 500 | 1 | 1 | 1 | 1 | 1 | 1 | 1 | 1 | 1 | 1 | 1 | 1 | 1 | 1 | 1 | 445 038 631 | | STERNSCHIENE | .325" .058" 38CM-15" | SPROCKET NOSE BAR | GUIDE À ÉTOILE | GUÍA CON ESTRELLA |
| 8 | 500 | 1 | 1 | 1 | 1 | 1 | 1 | 1 | 1 | 1 | 1 | 1 | 1 | 1 | 1 | 1 | 445 045 631 | | STERNSCHIENE | .325" .058" 45CM-18" | SPROCKET NOSE BAR | GUIDE À ÉTOILE | GUÍA CON ESTRELLA |
| 8 | 501 | 1 | 1 | 1 | 1 | 1 | 1 | 1 | 1 | 1 | 1 | 1 | 1 | 1 | 1 | 1 | 415 325 710 | | UMLENKSTERN KPL. | .325" .058" | SPROCKET NOSE | ÉTOILE | ESTRELLA |
| 8 | 502 | 1 | 1 | 1 | 1 | 1 | 1 | 1 | 1 | 1 | 1 | 1 | 1 | 1 | 1 | 1 | 528 086 656 | | SÄGEKETTE | .325" .058" 33CM-13" | SAW CHAIN | CHAÎNE | CADENA |
| 8 | 502 | 1 | 1 | 1 | 1 | 1 | 1 | 1 | 1 | 1 | 1 | 1 | 1 | 1 | 1 | 1 | 528 086 664 | | SÄGEKETTE | .325" .058" 38CM-15" | SAW CHAIN | CHAÎNE | CADENA |
| 8 | 502 | 1 | 1 | 1 | 1 | 1 | 1 | 1 | 1 | 1 | 1 | 1 | 1 | 1 | 1 | 1 | 528 086 672 | | SÄGEKETTE | .325" .058" 45CM-18" | SAW CHAIN | CHAÎNE | CADENA |
| 8 | 503 | 1 | 1 | 1 | 1 | 1 | 1 | 1 | 1 | 1 | 1 | 1 | 1 | 1 | 1 | 1 | 534 686 056 | | SÄGEKETTE | .325" .058" 33CM-13" | SAW CHAIN | CHAÎNE | CADENA |
| 8 | 503 | 1 | 1 | 1 | 1 | 1 | 1 | 1 | 1 | 1 | 1 | 1 | 1 | 1 | 1 | 1 | 534 686 064 | | SÄGEKETTE | .325" .058" 38CM-15" | SAW CHAIN | CHAÎNE | CADENA |
| 8 | 503 | 1 | 1 | 1 | 1 | 1 | 1 | 1 | 1 | 1 | 1 | 1 | 1 | 1 | 1 | 1 | 534 686 072 | | SÄGEKETTE | .325" .058" 45CM-18" | SAW CHAIN | CHAÎNE | CADENA |
| 8 | 504 | 1 | 1 | 1 | 1 | 1 | 1 | 1 | 1 | 1 | 1 | 1 | 1 | 1 | 1 | 1 | 558 083 000 | | AUßENLASCHE | .325" .058" | TIE STRAP | ECLISSE EXTERIEURE | TIRA EXTER. |
| 8 | 505 | 1 | 1 | 1 | 1 | 1 | 1 | 1 | 1 | 1 | 1 | 1 | 1 | 1 | 1 | 1 | 558 083 010 | | AUßENLASCHE MIT NIET | .325" .058" | TIE STRAP WITH RIVETS | ECLISSE EXTERIEURE A. RIVETS | TIRA EXTER. CON REMACHE |
| 8 | 510 | 1 | 1 | 1 | 1 | 1 | 1 | 1 | 1 | 1 | 1 | 1 | 1 | 1 | 1 | 1 | 443 038 651 | | STERNSCHIENE | 3/8" .058" 38CM-15" | SPROCKET NOSE BAR | GUIDE À ÉTOILE | GUÍA CON ESTRELLA |
| 8 | 510 | 1 | 1 | 1 | 1 | 1 | 1 | 1 | 1 | 1 | 1 | 1 | 1 | 1 | 1 | 1 | 443 045 651 | | STERNSCHIENE | 3/8" .058" 45CM-18" | SPROCKET NOSE BAR | GUIDE À ÉTOILE | GUÍA CON ESTRELLA |
| 8 | 510 | 1 | 1 | 1 | 1 | 1 | 1 | 1 | 1 | 1 | 1 | 1 | 1 | 1 | 1 | 1 | 443 053 651 | | STERNSCHIENE | 3/8" .058" 53CM-21" | SPROCKET NOSE BAR | GUIDE À ÉTOILE | GUÍA CON ESTRELLA |
| 8 | 511 | 1 | 1 | 1 | 1 | 1 | 1 | 1 | 1 | 1 | 1 | 1 | 1 | 1 | 1 | 1 | 415 038 720 | | UMLENKSTERN | 3/8" .058" | SPROCKET NOSE | ÉTOILE | ESTRELLA |
| 8 | 512 | 1 | 1 | 1 | 1 | 1 | 1 | 1 | 1 | 1 | 1 | 1 | 1 | 1 | 1 | 1 | 523 093 656 | | SÄGEKETTE | 3/8" .058" 38CM-15" | SAW CHAIN | CHAÎNE | CADENA |
| 8 | 512 | 1 | 1 | 1 | 1 | 1 | 1 | 1 | 1 | 1 | 1 | 1 | 1 | 1 | 1 | 1 | 523 093 664 | | SÄGEKETTE | 3/8" .058" 45CM-18" | SAW CHAIN | CHAÎNE | CADENA |
| 8 | 512 | 1 | 1 | 1 | 1 | 1 | 1 | 1 | 1 | 1 | 1 | 1 | 1 | 1 | 1 | 1 | 523 093 672 | | SÄGEKETTE | 3/8" .058" 53CM-21" | SAW CHAIN | CHAÎNE | CADENA |
| 8 | 513 | 1 | 1 | 1 | 1 | 1 | 1 | 1 | 1 | 1 | 1 | 1 | 1 | 1 | 1 | 1 | 528 099 656 | | SÄGEKETTE | 3/8" .058" 35/38CM-14/15" | SAW CHAIN | CHAÎNE | CADENA |
| 8 | 513 | 1 | 1 | 1 | 1 | 1 | 1 | 1 | 1 | 1 | 1 | 1 | 1 | 1 | 1 | 1 | 528 099 672 | | SÄGEKETTE | 3/8" .058" 53CM-21" | SAW CHAIN | CHAÎNE | CADENA |
| 8 | 513 | 1 | 1 | 1 | 1 | 1 | 1 | 1 | 1 | 1 | 1 | 1 | 1 | 1 | 1 | 1 | 528 099 664 | | SÄGEKETTE | 3/8" .058" 45CM-18" | SAW CHAIN | CHAÎNE | CADENA |
| 8 | 514 | 1 | 1 | 1 | 1 | 1 | 1 | 1 | 1 | 1 | 1 | 1 | 1 | 1 | 1 | 1 | 558 093 000 | | AUßENLASCHE | 3/8" .058" | TIE STRAP | ECLISSE EXTERIEURE | TIRA EXT. |
| 8 | 515 | 1 | 1 | 1 | 1 | 1 | 1 | 1 | 1 | 1 | 1 | 1 | 1 | 1 | 1 | 1 | 558 093 010 | | AUßENLASCHE MIT NIET | 3/8" .058" | TIE STRAP WITH RIVETS | ECLISSE AVEC RIVETS | TIRA EXT. CON REMACHES |
| 8 | 518 | 1 | 1 | 1 | 1 | 1 | 1 | 1 | 1 | 1 | 1 | 1 | 1 | 1 | 1 | 1 | 952 010 630 | | KETTENSCHUTZ | 30 cm | CHAIN PROTECTION | PROTECTION CHAÎNE | PROTECTOR DE CADENA |
| 8 | 518 | 1 | 1 | 1 | 1 | 1 | 1 | 1 | 1 | 1 | 1 | 1 | 1 | 1 | 1 | 1 | 952 020 640 | | KETTENSCHUTZ | 40 cm | CHAIN PROTECTION | PROTECTION CHAÎNE | PROTECTOR DE CADENA |
| 8 | 518 | 1 | 1 | 1 | 1 | 1 | 1 | 1 | 1 | 1 | 1 | 1 | 1 | 1 | 1 | 1 | 952 020 650 | | KETTENSCHUTZ | 50 cm | CHAIN PROTECTION | PROTECTION CHAÎNE | PROTECTOR DE CADENA |
| 8 | 520 | 1 | 1 | 1 | 1 | 1 | 1 | 1 | 1 | 1 | 1 | 1 | 1 | 1 | 1 | 1 | 957 004 002 | | WERKZEUG KPL. | | TOOL CPL. | OUTILS CPL. | HERRAMIENTAS CPL. |
| 8 | 521 | 1 | 1 | 1 | 1 | 1 | 1 | 1 | 1 | 1 | 1 | 1 | 1 | 1 | 1 | 1 | 941 719 131 | | KOMBISCHLÜSSEL | SW 13/19 mm | UNIVERSAL WRENCH | CLÉ COMBINÉE | LLAVE DE BUJIA |

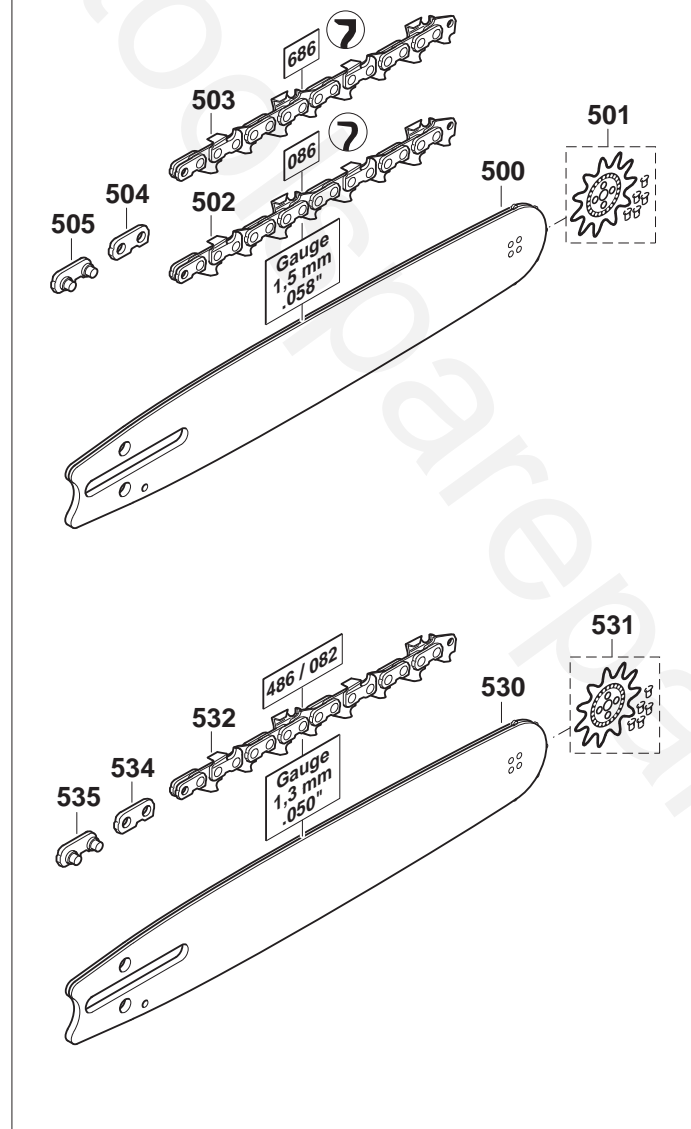
DCS460, DCS461, DCS500, DCS501,
DCS4600S, DCS4600SH, DCS5000,
DCS5000H, DCS5001, DCS5001H, DCS5121,
DCS460, DCS510, DCS5121, DE5045

8

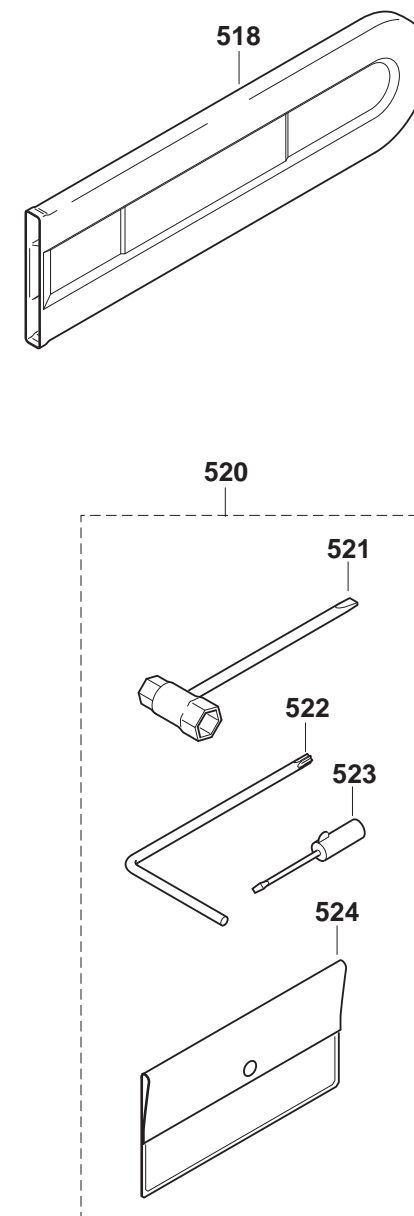
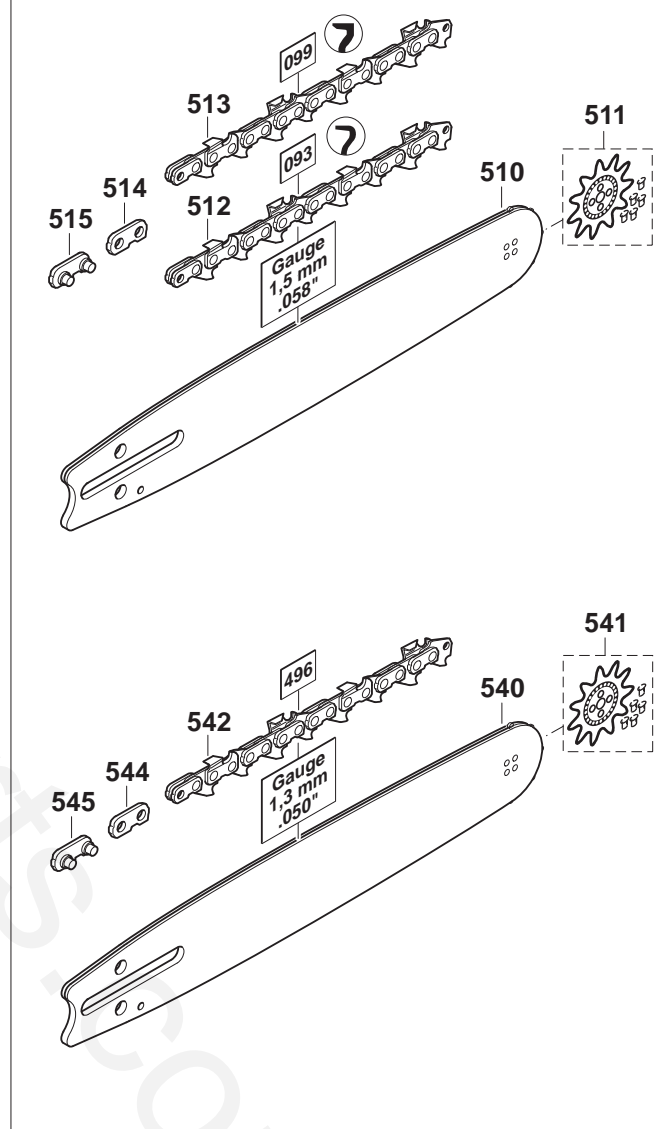
Sägeschienen, Sägeketten, Werkzeug
Guide bars, saw chains, tools
Guide-chaîne, chaînes, outils
Rieles guía, cadenas sierra, herramientas

Makita

.325"



3/8"



DCS460, DCS461, DCS500, DCS501,
DCS4600S, DCS4600SH, DCS5000,
DCS5000H, DCS5001, DCS5001H, DCS5121,
DCS460 , DCS510 , DCS5121 , DE5045

8

Sägeschienen, Sägeketten, Werkzeug
Guide bars, saw chains, tools
Guide-chaîne, chaînes, outils
Rieles guía, cadenas sierra, herramientas



| Seite / Page | Pos. | DCS460 | DCS461 | DCS500 | DCS501 | DCS4600S | DCS4600SH | DCS5000 | DCS5000H | DCS5001 | DCS5001H | DCS5121 | DCS460 (USA) | DCS510 (USA) | DCS5121 (USA) | DE5045 | Teil-Nr. Part No. No. de pièce No. de pieza | Hinweise Notes Renseign. Nota | Bezeichnung | Spezifikation Specification | Description | Désignation | Denominación |
|--------------|------|--------|--------|--------|--------|----------|-----------|---------|----------|---------|----------|---------|--------------|--------------|---------------|--------|--|--|---------------------------|--------------------------------|--------------------------|-----------------------|---------------------------|
| 8 | 522 | 1 | 1 | 1 | 1 | 1 | 1 | 1 | 1 | 1 | 1 | 1 | 1 | 1 | 1 | 1 | 940 827 000 | | WINKELSCHRAUBENDR EHER | T27 | ANGLED SCREW DRIVER | CLÉ ANGLE | LLAVE ANGULAR |
| 8 | 523 | 1 | 1 | 1 | 1 | 1 | 1 | 1 | 1 | 1 | 1 | 1 | 1 | 1 | 1 | 1 | 944 340 001 | | SCHRAUBENDREHER | | SCREWDRIVER | TOURNEVIS | DESTORNILLADOR |
| 8 | 524 | 1 | 1 | 1 | 1 | 1 | 1 | 1 | 1 | 1 | 1 | 1 | 1 | 1 | 1 | 1 | 950 004 002 | | WERKZEUGTASCHE | | PLASTIK BAG | POCHETTE EN PLASTIQUE | CÁRTERA HERRAMIENTAS |
| 8 | 530 | | | | | | | | | | | | | 1 | 1 | | 445 040 641 | US | STERNSCHIENE | .325" .050" 40CM-16" | SPROCKET NOSE BAR | GUIDE À ÉTOILE | GUÍA CON ESTRELLA |
| 8 | 531 | | | | | | | | | | | | | 1 | 1 | | 415 325 720 | US | UMLENKSTERN KPL. | .325" .050" | SPROCKET NOSE | ÉTOILE | ESTRELLA |
| 8 | 532 | | | | | | | | | | | | | 1 | 1 | | 523 082 666 | US | SÄGEKETTE | .325" .050" 40CM-16" | SAW CHAIN | CHAÎNE | CADENA |
| 8 | 532 | | | | | | | | | | | | | 1 | 1 | | 513 486 672 | US | SÄGEKETTE | .325" .050" 45CM-18" | SAW CHAIN | CHAÎNE | CADENA |
| 8 | 534 | | | | | | | | | | | | | 1 | 1 | | 558 486 000 | US | AUßENLASCHE | .325" .050" | TIE STRAP | ECLISSE EXTERIEURE | TIRA EXT. |
| 8 | 535 | | | | | | | | | | | | | 1 | 1 | | 558 486 010 | US | AUßENLASCHE MIT NIET | .325" .050" | TIE STRAP WITH RIVETS | ECLISSE AVEC RIVETS | TIRA EXT. CON REMACHES |
| 8 | 540 | | | | | | | | | | | | | 1 | 1 | 1 | 443 045 661 | US | STERNSCHIENE | 3/8" .050" 45CM-18" | SPROCKET NOSE BAR | GUIDE À ÉTOILE | GUÍA CON ESTRELLA |
| 8 | 541 | | | | | | | | | | | | | 1 | 1 | 1 | 415 038 730 | US | UMLENKSTERN KPL. | 3/8" .050" | SPROCKET NOSE | ÉTOILE | ESTRELLA |
| 8 | 542 | | | | | | | | | | | | | 1 | 1 | 1 | 513 496 664 | US | SÄGEKETTE U.S.A | 3/8" .050" 45CM-18" | SAW CHAIN U.S.A. | CHAÎNE | CADENA |
| 8 | 544 | | | | | | | | | | | | | 1 | 1 | 1 | 558 496 000 | US | AUßENLASCHE | 3/8" .050" | TIE STRAP | ECLISSE EXTERIEURE | TIRA EXT. |
| 8 | 545 | | | | | | | | | | | | | 1 | 1 | 1 | 558 496 010 | US | AUßENLASCHE MIT NIET | 3/8" .050" | TIE STRAP WITH RIVETS | ECLISSE AVEC RIVETS | TIRA EXT. CON REMACHES |

DCS460, DCS461, DCS500, DCS501,
 DCS4600S, DCS4600SH, DCS5000,
 DCS5000H, DCS5001, DCS5001H, DCS5121,
 DCS460 , DCS510 , DCS5121 , DE5045



| | Zeichenerklärung | Key to symbols | Légende | Explicación de símbolos |
|--|--|---|--|--|
| => 1999999 2000000 => 2003.04 => TI 2003/07 Acc. = { m Corr. | Produktion bis Serien-Nr. Neues Teil ab Serien-Nr. Neues Teil ab Jahr / Monat Siehe Technische Information Jahr / Nr. Zubehör (nicht im Lieferumfang) Keine Serienausführung, jedoch verwendbar Beinhaltet Positions-Nr. Meterware Druckfehlerberichtigung | Production to serial number New part from serial number New part from Year / Month See Technical Information Year / No. Accessories (not included in the delivery inventory) No standard execution, may be used Contains item number Sold by the meter Error correction | Production jusqu'à n° de série Nouveau pièce à partir du n° de série Nouveau pièce à partir de année / mois Voir information technique année / n° Accessoires (non compris dans la livraison) Aucune exécut. en série, cependant utilisable contient n° de numéro Au mètre Rectification d'erreurs | Producción hasta N° de serie Pieza nueva a partir de N° de serie Pieza nueva a partir de año / mes Véase inform. técnico año / N° Accesorios (no incluido en la extensión del suministro) No es de serie, pero sirve Contiene pos N° Por metro Fe de erratas |
| | Änderungen vorbehalten | Specifications subject to change without notice | Changements sans préavis | Mejoras constructivas sin previo aviso |