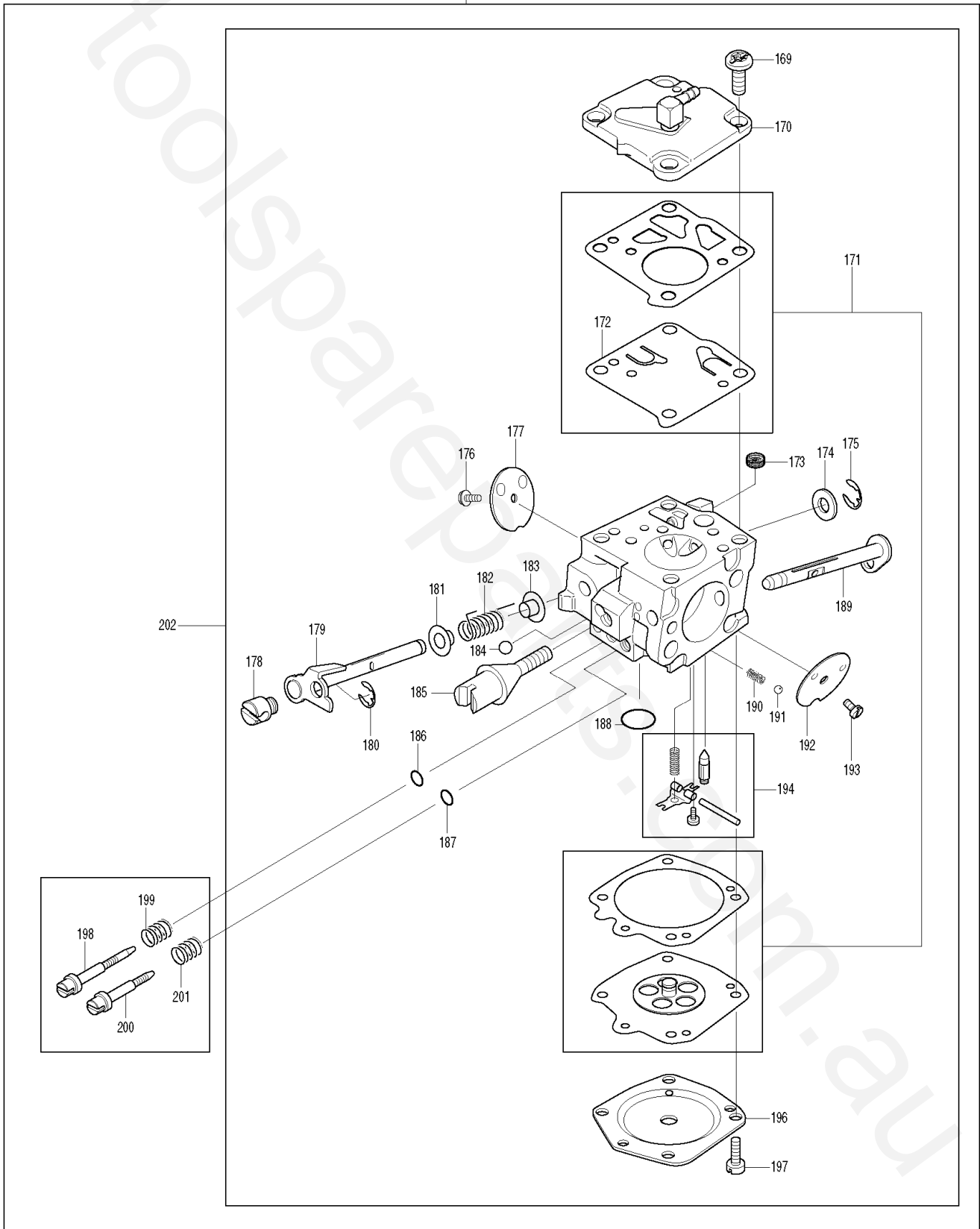
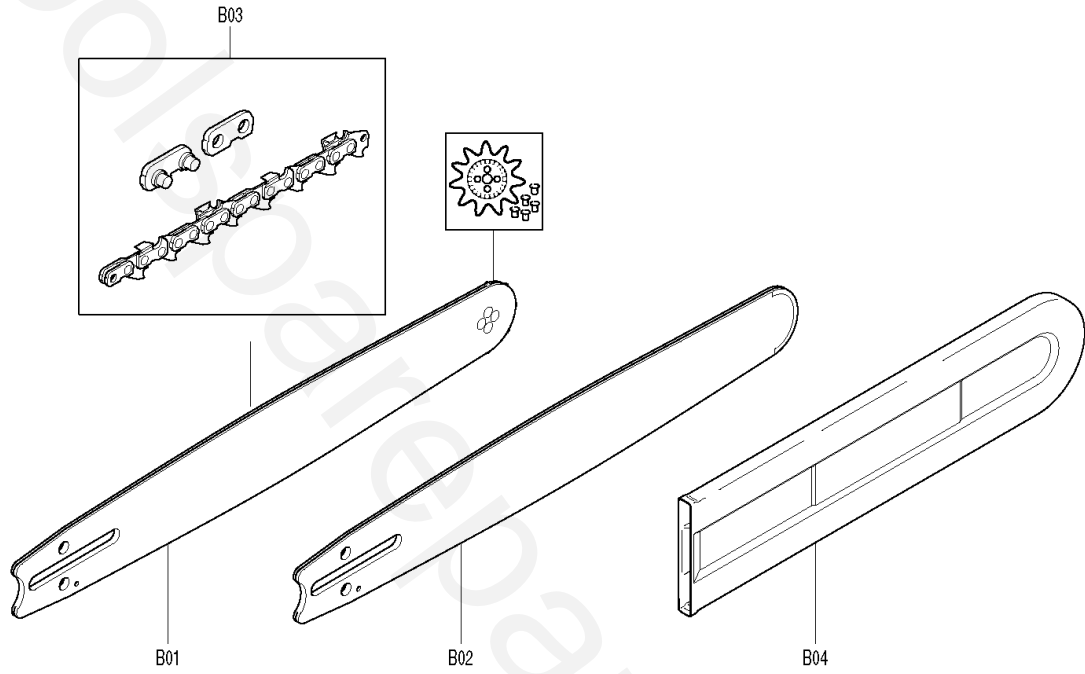


203







Model No: DCS9010

Parts List

ID	Part No	Name	Qty	Notes
1	965.525.060	GASKET	1	
2	010.114.050	TANK CAP ASSY.(FUEL)	1	
3	963.228.030	O-RING 28	1	
4	965.605.120	NUT	1	
5	965.605.400	STOP SWITCH	1	
6	965.605.131	RUBBER BUSH	1	
7	962.900.054	RADIAL RING	1	
8	024.111.621	CRANKCASE,MAG. SIDE	1	
9	965.403.370	RUBBER BUFFER	1	
10	965.525.070	GASKET	1	
11	936.430.160	SPIRAL CLAMPING PIN	2	
12	960.102.179	BALL BEARING 6203	1	
13	939.630.370	KEY	1	
14	962.210.028	NEEDLE CAGE	1	
15	024.120.022	CRANKSHAFT	1	
16	960.102.179	BALL BEARING 6203	1	
17	908.005.205	FILLISTER HEAD SCREW M5X20	4	
18	133.132.050	PISTON RING	1	
19	133.132.050	PISTON RING	1	
20	024.111.071	GUIDE PLATE	1	
21	031.132.020	PISTON PIN	1	
22	119.132.060	SPRING RING	2	
23	024.132.020	PISTON CPL.	1	
24	024.111.640	CRANKCASE,CLUTCH SIDE	1	
25	010.245.010	VENT VALVE, OIL	1	
26	024.232.030	BOLT	2	
27	963.204.015	PACKING RING	1	
28	024.111.100	SAFETY PLATE	1	
29	915.735.100	SCREW M3.5X10	1	
30	001.213.170	NUT WITH PIVOT	1	
31	001.213.160	TENSIONING SCREW	1	
32	915.735.100	SCREW M3.5X10	1	
33	024.250.030	SPIKE BAR	1	
34	908.006.145	FILLISTER HEAD SCREW 6X14	2	
35	024.111.050	CHAIN CATCH	1	
38	908.005.305	FILLSTER HEAD SCREW M5X30	7	
39	962.900.054	RADIAL RING	1	
40	024.310.100	WRAP AROUND HANDLE ASSY.	1	
41	965.551.250	POT	1	
42	965.403.430	RUBBER BUFFER	1	
43	908.005.165	FILLISTER HEAD SCREW M5X16	1	
44	913.455.304	SCREW M5.5X30	1	
45	913.455.304	SCREW M5.5X30	1	
46	913.455.304	SCREW M5.5X30	2	
47	913.455.204	FILLISTER HEAD SCREW 5.5X20	2	
48	965.404.520	GASKET	1	



Model No: DCS9010

ID	Part No	Name	Qty	Notes
49	965.404.700	FUEL LINE	1	
50	963.601.240	FELT	1	
51	963.601.120	SUCTION HEAD	1	
52	963.232.045	PACKING RING	1	
53	965.451.901	TANK PLUG ASSY.(FUEL)	1	
54	024.114.630	TANK ASSY.(FUEL)	1	
55	965.725.041	BOWDEN CABLE	1	
56	***	***	***	Click for Technical Bulletin Y06507
57	965.451.750	BUTTON	1	
58	965.551.160	PRESSURE SPRING	1	
59	024.117.020	CATCH LEVER	1	
60	965.551.150	STOP PIN	1	
61	024.117.031	SPRING	1	
62	024.117.010	THROTTLE LEVER	1	
63	935.930.280	CYLINDRICAL PIN 3X28	1	
64	935.930.450	CYLINDRICAL PIN	1	
65	965.404.720	BUSH	4	
66	965.403.461	RUBBER BUFFER	4	
67	913.455.204	FILLISTER HEAD SCREW 5.5X20	4	
68	965.404.740	PLUG	4	
69	908.005.165	FILLISTER HEAD SCREW M5X16	4	
70	024.112.630	STARTER ASSY.	1	
71	928.405.000	SPRING WASHER	1	
72	965.402.262	STARTER GRIP	1	
73	985.000.165	STARTER ROPE	1	
74	980.114.217	LABEL	1	
75	024.112.680	FAN HOUSING	1	
76	020.163.031	REWIND SPRING	1	
77	915.135.100	THREAD FORMING SCREW 3.5X9.5	3	
78	024.162.081	CABLE DLUM	1	
79	929.314.100	SNAP RING	1	
80	024.112.021	AIR DUCT	1	
81	970.502.110	INSULATING HOSE	1	
82	970.310.200	IGNITION CABLE 14-1/8"	1	
83	957.604.260	PLUG CAP CPL.	1	
84	965.604.180	SPRING	1	
85	965.603.021	SPARK PLUG BPMR7A	1	
86	965.401.011	RUBBER BUSHING	1	
87	970.502.050	TUBE	1	
88	908.605.205	SCREW M5X20	2	
89	024.143.050	IGNITION COIL	1	
90	031.166.010	STARTER RATCHET CPL.	2	
91	024.141.210	FLY WHEEL ASSY.	1	
92	920.308.024	HEXAGONAL NUT M8	1	
93	926.208.001	SPRING WASHER 8	1	
94	024.245.100	OIL PUMP ASSY.	1	
95	957.245.360	REPAIR KIT	1	
96	963.608.100	ANGLAR NIPPLE	1	
97	908.005.125	FILLISTER HEAD SCREW M5X12	2	



Model No: DCS9010

ID	Part No	Name	Qty	Notes
98	024.245.200	OIL SUCTION LINE ASSY.	1	
99	900.005.066	DISTANCE RING	1	
100	963.601.100	SCREEN	1	
101	024.213.180	HAND PROTECTION	1	
102	980.114.237	LABEL	1	
103	010.213.021	BRAKING MECHANISM CPL.	1	
104	927.306.000	SAFETY WASHER	1	
105	900.004.364	SPACER	1	
106	927.304.000	SAFETY WASHER	1	
107	024.111.061	SPRING GRINDING HEAD	1	
108	024.213.321	SPRING	1	
109	024.213.351	BRAKE SPRING	1	
110	965.404.800	COVER FORM PLATE	1	
111	024.213.101	PLATE	1	
112	908.005.125	FILLISTER HEAD SCREW M5X12	4	
113	010.180.110	CLUTCH ASSY.	1	
114	024.184.021	TENSION SPRING	3	
115	024.223.041	CLUTCH DLUM	1	
116	962.210.024	NEEDLE CAGE	1	
117	119.224.070	RIM SPROCKET	1	
118	001.224.011	DISC	1	
119	***	***	***	Click for Technical Bulletin Y06147
120	927.308.000	SAFETY WASHER	1	
121	024213680	SPROCKET GUARD CPL.	1	
122	915.735.100	SCREW M3.5X10	3	
123	024.213.221	CHAIN GUIDE	1	
124	965.404.761	RUBBER PLATE	1	
125	024.213.240	CHAIN GUIDE	1	
126	024.213.240	CHAIN GUIDE	1	
127	922.606.000	SAFETY NUT	2	
128	024.250.030	SPIKE BAR	1	
129	908.006.145	FILLISTER HEAD SCREW 6X14	2	
130	923.208.004	HEXAGONAL NUT M8	2	
131	980114739	LABEL DCS9010	1	
132	024.173.200	NUT	2	
133	024.118.111	COVER ASSY.	1	
135	980.113.841	LABEL	1	
136	908.305.255	SCREW M5X25	3	
137	024.118.121	HOOD	1	
138	024.173.200	NUT	2	
139	024.173.230	AIR FILTER CPL.	1	
140	920.205.000	HEXAGONAL NUT M5	2	
141	928.105.000	SAFETY WASHER	2	
142	024.173.160	HOLDER FOR AIR FILTER	1	
143	024.150.170	SHEET-METAL HOLDER	1	
144	920.205.000	HEXAGONAL NUT M5	1	
145	965.401.011	RUBBER BUSHING	1	
146	965.452.060	TUBE	1	
147	965.401.016	RUBBER BUSH	1	



Model No: DCS9010

ID	Part No	Name	Qty	Notes
148	***	***	***	Click for Technical Bulletin Y06534
149	024.118.051	ADJUSTING GUIDE	1	
150	908.005.165	FILLISTER HEAD SCREW M5X16	4	
151	024.118.032	BOTTOM	1	
152	024.150.020	CHOKE SHAFT	1	
153	965.401.021	RUBBER BUSH	1	
154	965.401.024	RUBBER BUSH	1	
155	965.401.021	RUBBER BUSH	1	
156	024.131.022	SUCTION HOSE	1	
157	965.603.050	CLAMP	1	
158	908.605.145	FILLISTER HEAD SCREW M5X14	1	
159	024.173.610	COVER FOR PRE-FILTER	1	
161	024.173.081	PRE-FILTER	1	
162	024.174.040	COVER PLATE	1	
163	965.525.101	GASKET	1	
164	024.174.153	MUFFLER ASSY.	1	
166	024174171	DEFLECTOR PLATE	1	
167	915.142.090	SCREW 4.2X9.5	1	
168	024.174.020	SPECIAL SCREW	3	
169	394.150.170	SCREW	4	
170	024150160	PUMP COVER CPL.	1	
171	957.150.100	SET DIAPHRAGM / GASKETS	1	
172	113.150.150	PUMP DIAPHRAGM, RUBBER	1	
173	394.150.180	SCREEN	1	
174	122.151.400	DISC	1	
175	100.150.350	SAFETY WASHER	1	
176	001.150.650	SCREW	1	
177	024150320	THROTTLE SHUTTER	1	
178	024150100	HOLDER FOR BORDEN CABLE	1	
179	024150300	THROTTLE SHAFT	1	
180	024150110	SAFETY WASHER	1	
181	144.151.315	BUSHING	1	
182	001.150.310	SPRING	1	
183	144.151.315	BUSHING	1	
184	001.150.510	LOCKING BALL	4	
185	394.150.570	IDLE STOP SCREW(S)	1	
186	394.150.180	SCREEN	1	
187	394.150.180	SCREEN	1	
188	113.150.040	COVER DISC	1	
189	144.151.480	SPRING	1	
190	101.150.080	LOCKING SPRING	1	
191	113.150.380	LOCKING BALL	1	
192	113.150.261	CHOKE SHUTTER	1	
193	001.150.650	SCREW	1	
194	957.150.190	SET OF CONTROL PARTS	1	
196	001.150.520	SCREW	4	
197	122.151.121	DIAPHRAGM COVER	1	
198	024150470	IDLE ADJUSTMENT SCREW(L)	1	
199	144.151.480	SPRING	1	



Model No: DCS9010

ID	Part No	Name	Qty	Notes
200	024150510	MAIN ADJUSTMENT SCREW(H)	1	
201	144.151.480	SPRING	1	
203	024.150.010	CARBURETOR	1	
210	***	***	***	Click for Technical Bulletin Y06227
211	024.130.300	CYLINDER/PISTON ASSY.	1	
2001	***	***	***	Click for Technical Bulletin
2002	***	***	***	Click for Technical Bulletin
2003	***	***	***	Click for Technical Bulletin
2004	***	***	***	Click for Technical Bulletin Y06389