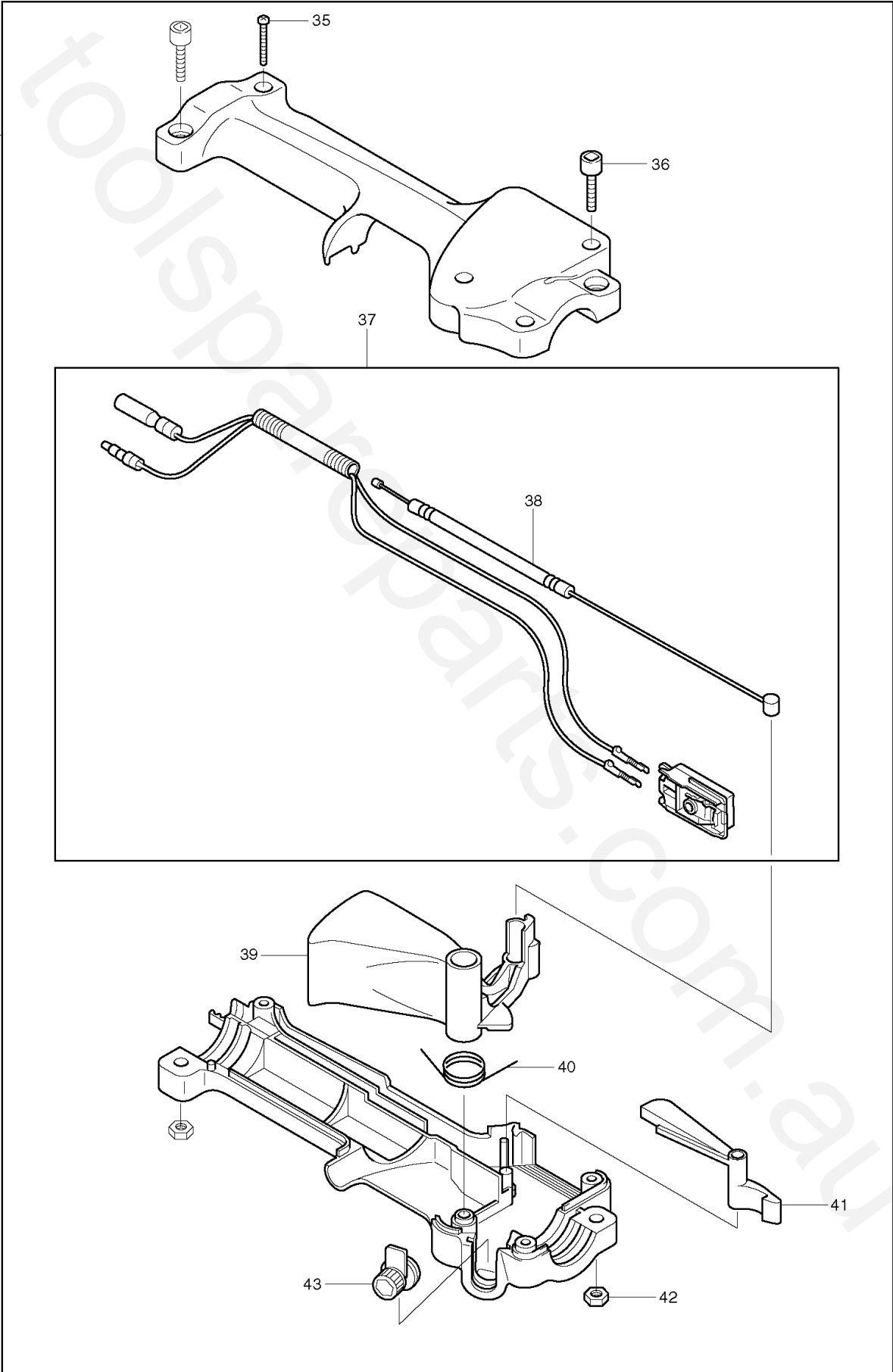
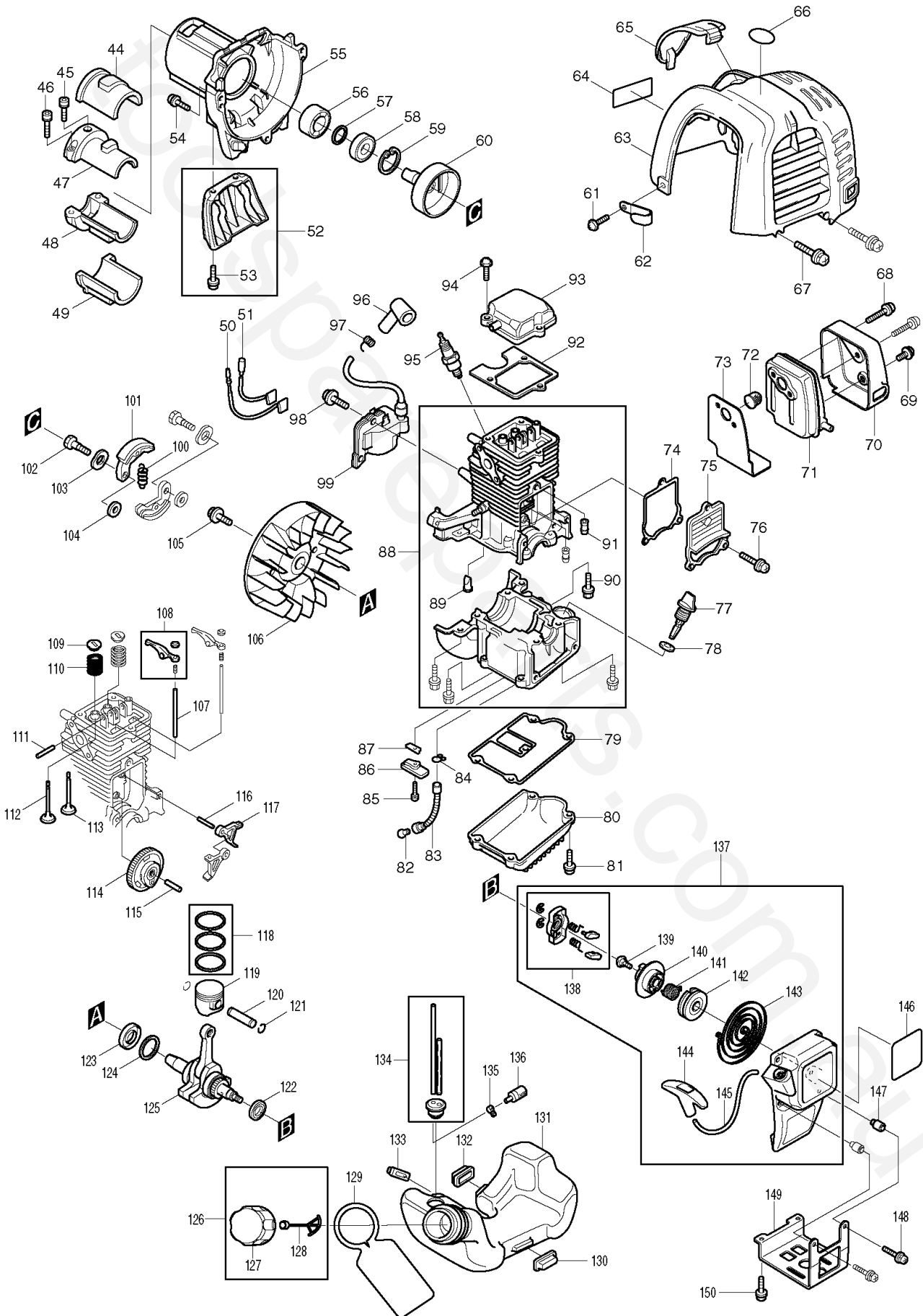
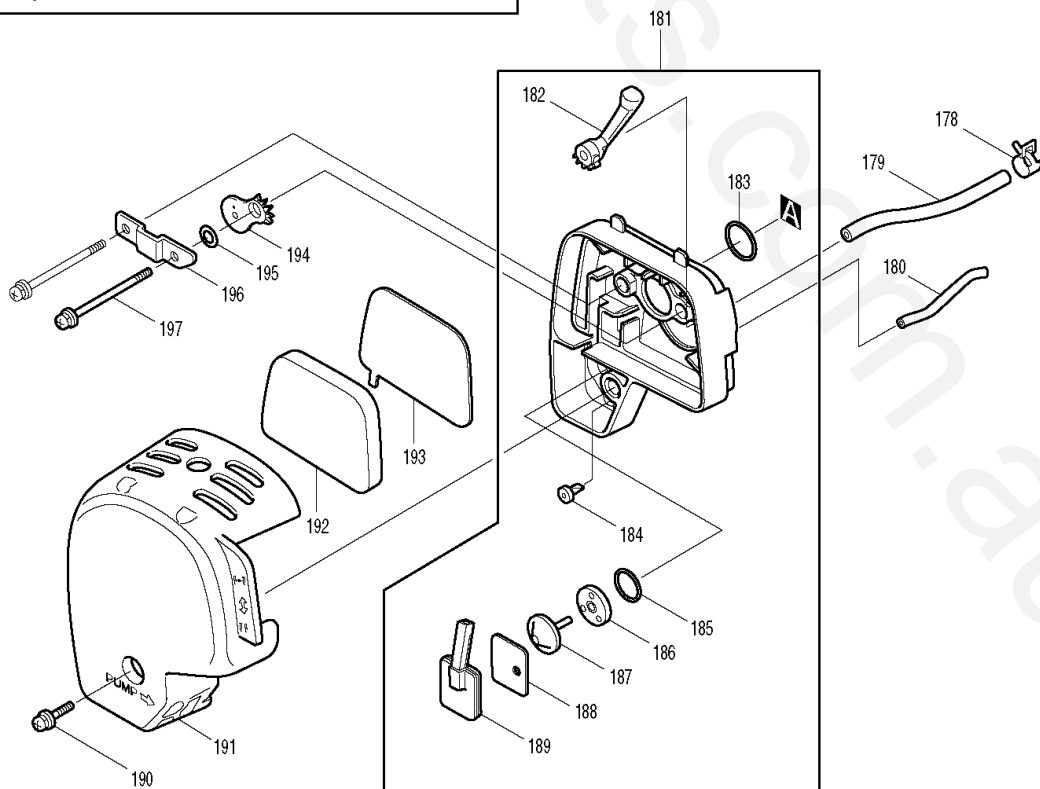
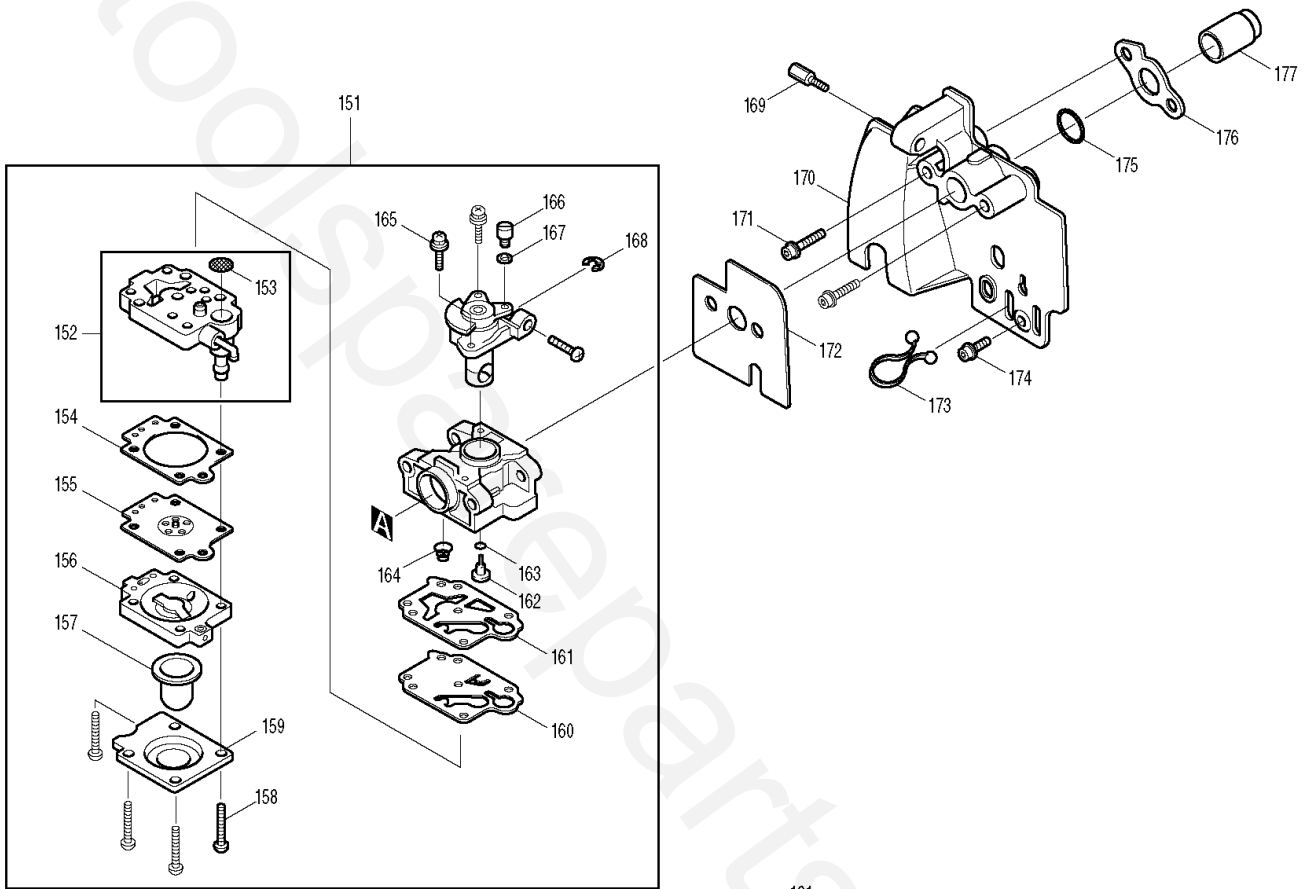


34







## Parts List

ID	Part No	Name	Qty	Notes
1	***	***	***	Click for Technical Bulletin Y06152
2	***	***	***	Click for Technical Bulletin A0332
3	***	***	***	Click for Technical Bulletin Y06152
4	6245003000	CONTROL LEVER ASS'Y	1	
5	***	***	***	Click for Technical Bulletin Y06152
6	***	***	***	Click for Technical Bulletin Y06267
7	***	***	***	Click for Technical Bulletin Y06267
8	***	***	***	Click for Technical Bulletin Y06152
9	6249511300	LABEL, CAUTION	1	
10	***	***	***	Click for Technical Bulletin Y05604
11	***	***	***	Click for Technical Bulletin Y05604
12	***	***	***	Click for Technical Bulletin Y06584
13	***	***	***	Click for Technical Bulletin Y06152
14	0140059380	SCREW ASSEMBLY	2	
15	***	***	***	Click for Technical Bulletin Y06152
16	***	***	***	Click for Technical Bulletin Y06152
17	0119059490	SOCKET HEAD BOLT M5X14 (W,SW)	1	
18	***	***	***	Click for Technical Bulletin Y06152
19	***	***	***	Click for Technical Bulletin Y06152
20	***	***	***	Click for Technical Bulletin Y06152
21	***	***	***	Click for Technical Bulletin Y06152
22	***	***	***	Click for Technical Bulletin Y06172
23	***	***	***	Click for Technical Bulletin Y06152
24	***	***	***	Click for Technical Bulletin Y06152
25	***	***	***	Click for Technical Bulletin Y06152
26	***	***	***	Click for Technical Bulletin Y06152
27	***	***	***	Click for Technical Bulletin Y06152
28	***	***	***	Click for Technical Bulletin Y06152
29	***	***	***	Click for Technical Bulletin Y06152
30	***	***	***	Click for Technical Bulletin Y06152
31	***	***	***	Click for Technical Bulletin Y06374
32	***	***	***	Click for Technical Bulletin Y06152
33	***	***	***	Click for Technical Bulletin Y06172
34	6245003000	CONTROL LEVER ASS'Y	1	
35	***	***	***	Click for Technical Bulletin Y06152
36	***	***	***	Click for Technical Bulletin Y06152
37	6245003050	WIRE SET	1	
38	6245003020	WIRE COMPLETE	1	
39	***	***	***	Click for Technical Bulletin Y06152
40	***	***	***	Click for Technical Bulletin Y06152
41	***	***	***	Click for Technical Bulletin Y06152
42	***	***	***	Click for Technical Bulletin Y06172
43	6215023050	ADJUST COMPLETE	1	
44	6241500401	PIPE DAMPER 1	1	
45	0119059900	SOCKET HEAD BOLT M5X12	1	
46	***	***	***	Click for Technical Bulletin Y06262



Model No: EBH251L

ID	Part No	Name	Qty	Notes
47	6241500601	PIPE BRACKET 1	1	
48	***	***	***	Click for Technical Bulletin Y06152
49	***	***	***	Click for Technical Bulletin Y06152
50	***	***	***	Click for Technical Bulletin Y06152
51	***	***	***	Click for Technical Bulletin Y06152
52	***	***	***	Click for Technical Bulletin Y06152
53	***	***	***	Click for Technical Bulletin Y06152
54	***	***	***	Click for Technical Bulletin Y06152
55	***	***	***	Click for Technical Bulletin Y05472
56	***	***	***	Click for Technical Bulletin A1812
57	***	***	***	Click for Technical Bulletin Y06584
58	***	***	***	Click for Technical Bulletin Y06152
59	***	***	***	Click for Technical Bulletin Y06584
60	***	***	***	Click for Technical Bulletin Y06152
61	***	***	***	Click for Technical Bulletin Y06152
62	***	***	***	Click for Technical Bulletin Y06152
63	5925500800	CYLINDER COVER	1	
64	5929505200	LABEL,TRADE MARK	1	
65	***	***	***	Click for Technical Bulletin Y06152
66	5929505400	LABEL	1	
67	0140049770	SCREW ASSY M4X16(W,SW)	2	
68	***	***	***	Click for Technical Bulletin Y06152
69	0140059962	SCREW M5X6	1	
70	***	***	***	Click for Technical Bulletin Y06152
71	***	***	***	Click for Technical Bulletin Y06152
72	***	***	***	Click for Technical Bulletin Y06152
73	***	***	***	Click for Technical Bulletin Y05986
74	***	***	***	Click for Technical Bulletin Y06152
75	***	***	***	Click for Technical Bulletin Y06152
76	***	***	***	Click for Technical Bulletin Y06152
77	***	***	***	Click for Technical Bulletin Y06152
78	***	***	***	Click for Technical Bulletin Y06152
79	***	***	***	Click for Technical Bulletin Y06152
80	***	***	***	Click for Technical Bulletin Y06152
81	***	***	***	Click for Technical Bulletin Y06152
82	***	***	***	Click for Technical Bulletin Y06152
83	***	***	***	Click for Technical Bulletin Y06152
84	***	***	***	Click for Technical Bulletin Y06152
85	0119049980	SOCKET HEAD BOLT M4X10	1	
86	***	***	***	Click for Technical Bulletin Y06152
87	***	***	***	Click for Technical Bulletin Y06152
88	***	***	***	Click for Technical Bulletin Y06032
89	***	***	***	Click for Technical Bulletin Y06152
90	***	***	***	Click for Technical Bulletin Y06152
91	***	***	***	Click for Technical Bulletin Y06152
92	***	***	***	Click for Technical Bulletin Y06152
93	***	***	***	Click for Technical Bulletin Y06152
94	***	***	***	Click for Technical Bulletin Y06152
95	***	***	***	Click for Technical Bulletin Y06073



Model No: EBH251L

ID	Part No	Name	Qty	Notes
96	***	***	***	Click for Technical Bulletin Y06152
97	***	***	***	Click for Technical Bulletin Y06152
98	***	***	***	Click for Technical Bulletin Y05610
99	***	***	***	Click for Technical Bulletin Y06152
100	***	***	***	Click for Technical Bulletin Y06373
101	***	***	***	Click for Technical Bulletin Y06152
102	***	***	***	Click for Technical Bulletin Y06152
103	***	***	***	Click for Technical Bulletin Y06152
104	***	***	***	Click for Technical Bulletin Y06152
105	***	***	***	Click for Technical Bulletin Y06152
106	***	***	***	Click for Technical Bulletin Y06152
107	***	***	***	Click for Technical Bulletin Y06152
108	***	***	***	Click for Technical Bulletin Y06152
109	***	***	***	Click for Technical Bulletin Y06152
110	***	***	***	Click for Technical Bulletin Y06152
111	***	***	***	Click for Technical Bulletin Y06152
112	***	***	***	Click for Technical Bulletin Y06152
113	***	***	***	Click for Technical Bulletin Y06152
114	***	***	***	Click for Technical Bulletin Y06152
115	***	***	***	Click for Technical Bulletin Y06152
116	***	***	***	Click for Technical Bulletin Y06152
117	***	***	***	Click for Technical Bulletin Y06118
118	***	***	***	Click for Technical Bulletin Y06172
119	***	***	***	Click for Technical Bulletin Y06152
120	***	***	***	Click for Technical Bulletin Y06152
121	***	***	***	Click for Technical Bulletin Y06152
122	***	***	***	Click for Technical Bulletin Y06368
123	***	***	***	Click for Technical Bulletin Y06152
124	***	***	***	Click for Technical Bulletin Y06152
125	***	***	***	Click for Technical Bulletin Y06422
126	***	***	***	Click for Technical Bulletin Y06152
127	***	***	***	Click for Technical Bulletin Y06152
128	***	***	***	Click for Technical Bulletin Y06152
129	6249501501	STRAP	1	
130	***	***	***	Click for Technical Bulletin Y06152
131	***	***	***	Click for Technical Bulletin A1018
132	***	***	***	Click for Technical Bulletin Y06152
133	***	***	***	Click for Technical Bulletin Y06152
134	***	***	***	Click for Technical Bulletin Y06152
135	***	***	***	Click for Technical Bulletin Y06152
136	***	***	***	Click for Technical Bulletin Y06152
137	5925005001	STARTER ASS'Y	1	
138	***	***	***	Click for Technical Bulletin Y06152
139	***	***	***	Click for Technical Bulletin Y06152
140	***	***	***	Click for Technical Bulletin Y06152
141	***	***	***	Click for Technical Bulletin Y06152
142	***	***	***	Click for Technical Bulletin Y06152
143	***	***	***	Click for Technical Bulletin Y06152
144	***	***	***	Click for Technical Bulletin Y06152





Model No: EBH251L

ID	Part No	Name	Qty	Notes
145	5925006010	STARTER ROPE	1	
146	6249511400	LABEL, MODEL	1	
147	***	***	***	Click for Technical Bulletin Y06152
148	***	***	***	Click for Technical Bulletin Y06152
149	***	***	***	Click for Technical Bulletin Y06152
150	***	***	***	Click for Technical Bulletin Y06152
151	***	***	***	Click for Technical Bulletin Y06152
152	***	***	***	Click for Technical Bulletin Y06152
153	***	***	***	Click for Technical Bulletin Y06152
154	***	***	***	Click for Technical Bulletin Y06152
155	***	***	***	Click for Technical Bulletin Y06152
156	***	***	***	Click for Technical Bulletin Y06152
157	***	***	***	Click for Technical Bulletin Y06152
158	***	***	***	Click for Technical Bulletin Y06152
159	***	***	***	Click for Technical Bulletin Y06152
160	***	***	***	Click for Technical Bulletin Y06152
161	***	***	***	Click for Technical Bulletin Y06152
162	***	***	***	Click for Technical Bulletin Y06152
163	***	***	***	Click for Technical Bulletin Y06152
164	***	***	***	Click for Technical Bulletin Y06152
165	***	***	***	Click for Technical Bulletin Y06152
166	***	***	***	Click for Technical Bulletin Y06152
167	***	***	***	Click for Technical Bulletin Y06152
168	***	***	***	Click for Technical Bulletin Y06152
169	***	***	***	Click for Technical Bulletin Y06152
170	***	***	***	Click for Technical Bulletin Y06152
171	***	***	***	Click for Technical Bulletin Y06152
172	***	***	***	Click for Technical Bulletin Y06152
173	***	***	***	Click for Technical Bulletin Y06152
174	***	***	***	Click for Technical Bulletin Y06584
175	***	***	***	Click for Technical Bulletin Y05600
176	***	***	***	Click for Technical Bulletin Y06152
177	***	***	***	Click for Technical Bulletin Y06152
178	***	***	***	Click for Technical Bulletin Y06152
179	***	***	***	Click for Technical Bulletin Y06152
180	***	***	***	Click for Technical Bulletin Y06152
181	***	***	***	Click for Technical Bulletin Y06152
182	***	***	***	Click for Technical Bulletin Y06152
183	***	***	***	Click for Technical Bulletin Y06152
184	***	***	***	Click for Technical Bulletin Y06172
185	***	***	***	Click for Technical Bulletin Y06152
186	***	***	***	Click for Technical Bulletin Y06152
187	***	***	***	Click for Technical Bulletin Y06152
188	***	***	***	Click for Technical Bulletin Y06152
189	***	***	***	Click for Technical Bulletin Y06152
190	***	***	***	Click for Technical Bulletin Y06152
191	***	***	***	Click for Technical Bulletin Y06152
192	***	***	***	Click for Technical Bulletin Y06152
193	***	***	***	Click for Technical Bulletin Y06152





Model No: EBH251L

ID	Part No	Name	Qty	Notes
194	***	***	***	Click for Technical Bulletin Y06152
195	***	***	***	Click for Technical Bulletin Y06152
196	***	***	***	Click for Technical Bulletin Y06152
197	***	***	***	Click for Technical Bulletin Y06152
198	***	***	***	Click for Technical Bulletin Y06211
199	***	***	***	Click for Technical Bulletin Y06152
200	413143-3	WASHER	2	
1001	***	***	***	Click for Technical Bulletin Y06152
1002	***	***	***	Click for Technical Bulletin Y06152
1003	***	***	***	Click for Technical Bulletin Y06152
1004	***	***	***	Click for Technical Bulletin Y06152
1006	***	***	***	Click for Technical Bulletin Y06196
1007	***	***	***	Click for Technical Bulletin Y05469
1008	***	***	***	Click for Technical Bulletin Y05505