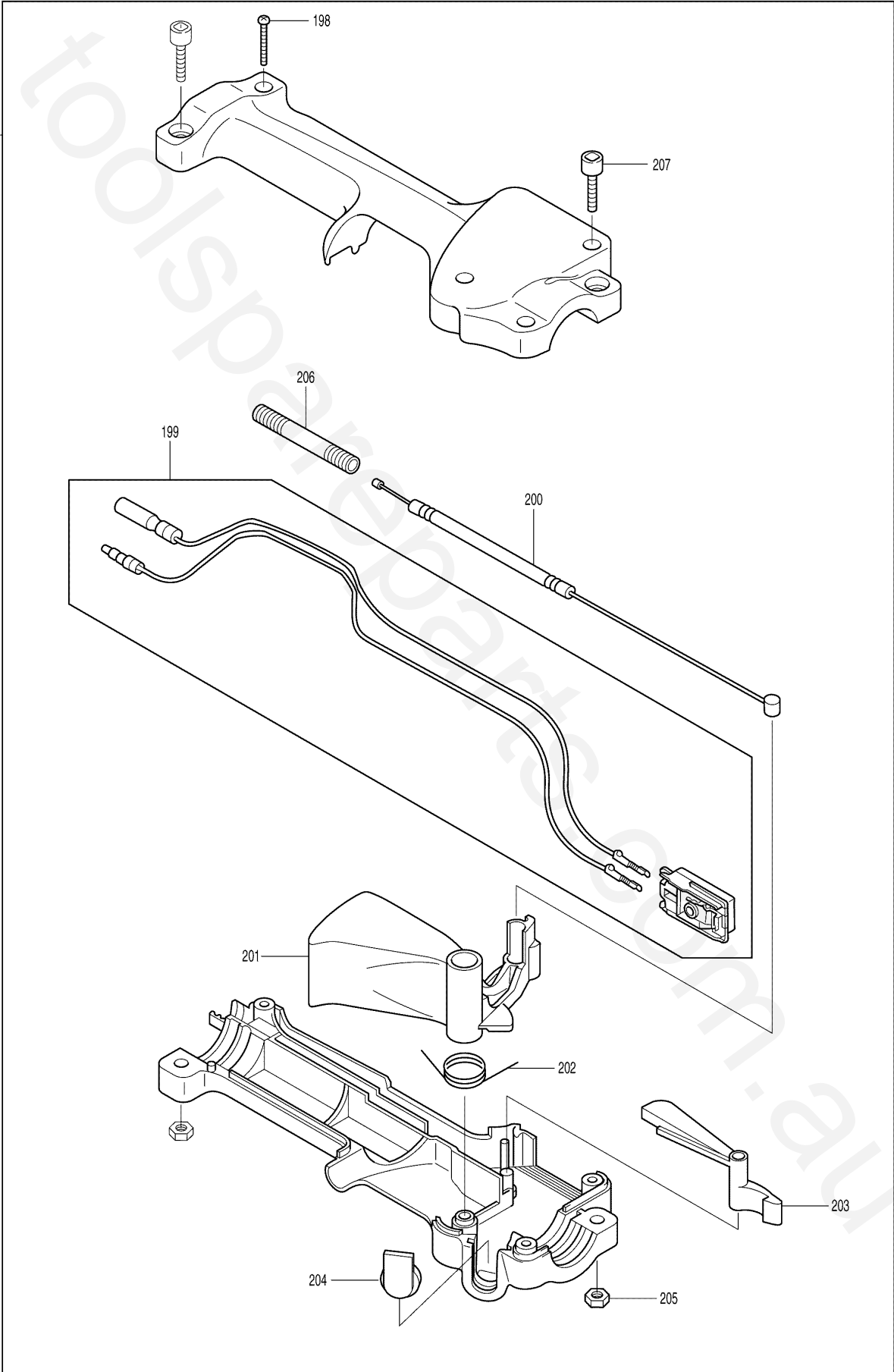
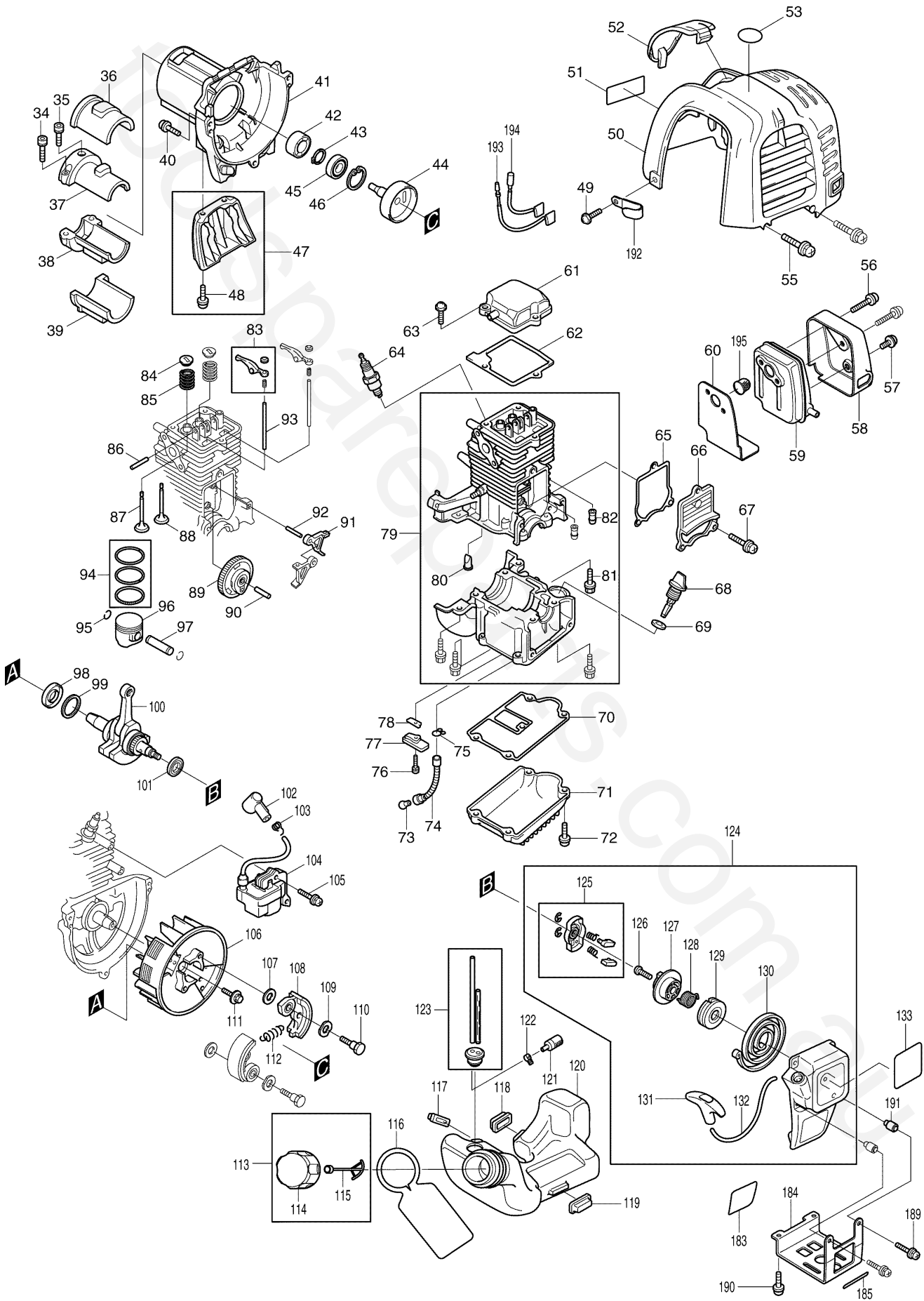
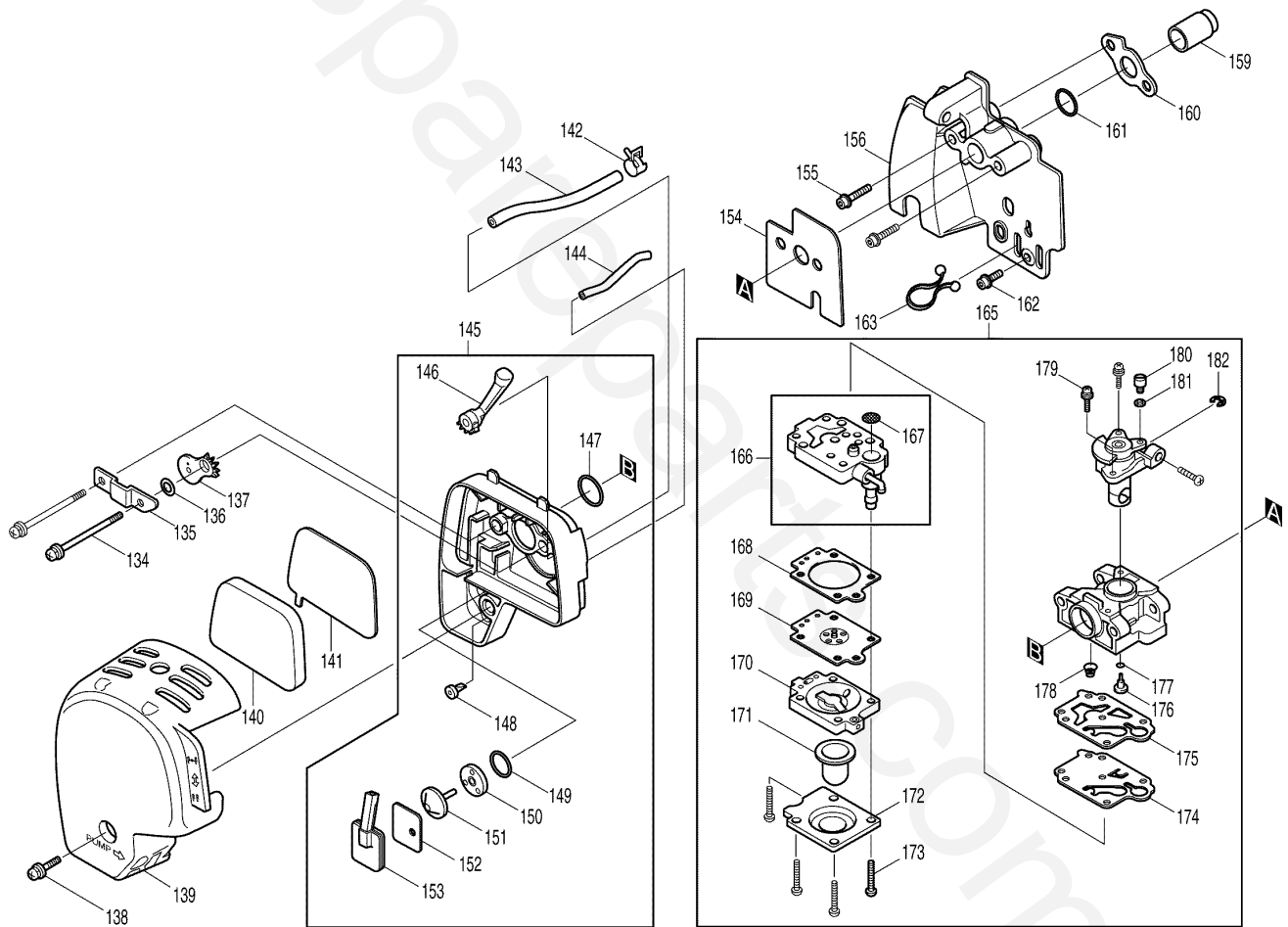


3









Model No: EBH253L

Parts List

ID	Part No	Name	Qty	Notes
1	***	***	***	Click for Technical Bulletin 87505
2	***	***	***	Click for Technical Bulletin 87662
3	***	***	***	Click for Technical Bulletin 87662
4	195143-2	HANGER SET	1	
5	911233-1	PAN HEAD SCREW M5X20	1	
6	140041-5	SHAFT PIPE COMPLETE	1	
7	810541-6	CAUTION LABEL	1	
8	***	***	***	Click for Technical Bulletin 97414
9	324893-4	SHAFT	1	
10	922218-2	H.S.H.BOLT M5X14 WITH WR	2	
11	125556-3	GEAR CASE ASSEMBLY	1	
14	210049-4	BALL BEARING 609ZZ	1	
15	961005-4	RETAINING RING S-9	1	
16	962103-7	RETAINING RING R-24	1	
17	922241-7	HEX. SOCKET HEAD BOLT M5X25	1	
18	265590-2	+HEX.BOLT M8X10 WITH R	1	
19	211019-6	BALL BEARING 626	1	
20	***	***	***	Click for Technical Bulletin 87587
23	210115-7	BALL BEARING 6001LLU	1	
24	962106-1	RETAINING RING R-28	1	
25	331861-0	RECEIVE WASHER	1	
26	346084-7	CLAMP WASHER	1	
27	168526-9	CUP	1	
28	264025-0	HEX. NUT M10-17	1	
29	***	***	***	Click for Technical Bulletin 88011
30	451097-6	PROTECTOR COVER	1	
31	***	***	***	Click for Technical Bulletin 87170
32	346073-2	PROTECTOR CLAMP	1	
33	266326-2	TAPPING SCREW 4X18	1	
34	922226-3	HEX. SOCKET HEAD BOLT M5X18	2	
35	922211-6	HEX. SOCKET HEAD BOLT M5X12	1	
36	424191-7	PIPE DAMPER 1	1	
37	318270-0	PIPE BRACKET 1	1	
38	318271-8	PIPE BRACKET 2	1	
39	424107-2	PIPE DAMPER 2	1	
40	***	***	***	Click for Technical Bulletin 85939
41	318329-3	CLUTCH CASE	1	
42	***	***	***	Click for Technical Bulletin A1812
43	961052-5	RETAINING RING S-12	1	
44	***	***	***	Click for Technical Bulletin 99822
45	***	***	***	Click for Technical Bulletin Y05608
46	962151-6	RETAINING RING R-32	1	
47	195144-0	STAND SET	1	
48	911218-7	PAN HEAD SCREW M5X14	2	
49	***	***	***	Click for Technical Bulletin 87326
50	450654-7	CYLINDER COVER	1	



Model No: EBH253L

ID	Part No	Name	Qty	Notes
51	819312-8	MAKITA LOGO LABEL	1	
52	***	***	***	Click for Technical Bulletin 95539
53	808633-3	4STROKE INDICATION LABEL	1	
55	***	***	***	Click for Technical Bulletin 87326
56	266440-4	HEX SOCKET HEAD BOLT M5X40	2	
57	265184-3	+TRUSS HEAD SCREW M5X5	1	
58	345915-7	MUFFLER COVER	1	
59	168469-5	EXHAUST MUFFLER	1	
60	345916-5	MUFFLER GASKET	1	
61	140023-7	ROCKER COVER COMPLETE	1	
62	162275-0	ROCKER COVER GASKET	1	
63	***	***	***	Click for Technical Bulletin 85939
64	168534-0	SPARK PLUG	1	
65	162274-2	CAM GEAR COVER GASKET	1	
66	318443-5	CAM GEAR COVER	1	
67	***	***	***	Click for Technical Bulletin 88450
68	450565-6	OIL GAUGE	1	
69	424100-6	GASKET	1	
70	162276-8	CASE GASKET	1	
71	318442-7	OIL CASE	1	
72	***	***	***	Click for Technical Bulletin 88450
73	325666-8	OIL WEIGHT	1	
74	424202-8	OIL TUBE	1	
75	282020-8	HOSE CLAMP	1	
76	***	***	***	Click for Technical Bulletin 91157
77	318440-1	RETAINER PLATE	1	
78	346083-9	LEAD VALVE	1	
79	135375-9	CYLINDER BLOCK ASSEMBLY	1	
80	424201-0	CHECK VALVE	2	
81	***	***	***	Click for Technical Bulletin 88450
82	424200-2	SPACER	2	
83	125554-7	ROCKER ARM ASSEMBLY	2	
84	325668-4	SPRING RETAINER	2	
85	234108-0	COMPRESSION SPRING 9	2	
86	256200-2	PIN 5	1	
87	325670-7	INTAKE VALVE	1	
88	325669-2	EXHAUST VALVE	1	
89	125552-1	CAM GEAR ASSEMBLY	1	
90	268238-5	PIN 5	1	
91	313169-4	CAM LIFTER	2	
92	268239-3	PIN 4	1	
93	256865-0	ROD 2.5	2	
94	195145-8	PISTON RING SET	1	
95	233976-8	CLIP	2	
96	318441-9	PISTON	1	
97	257781-9	PISTON PIN	1	
98	213147-3	OIL SEAL 12	1	
99	267400-9	FLAT WASHER 23	1	
100	***	***	***	Click for Technical Bulletin Y06314



Model No: EBH253L

ID	Part No	Name	Qty	Notes
101	213148-1	OIL SEAL 10	1	
102	424105-6	PLUG CAP	1	
103	324891-8	PLUG CAP SPRING	1	
104	168501-5	IGNITION COIL	1	
105	***	***	***	Click for Technical Bulletin 85939
106	318343-9	FLYWHEEL	1	
107	267812-6	WASHER 6	2	
108	168498-8	CLUTCH SHOE	2	
109	267817-6	WASHER 8	2	
110	***	***	***	Click for Technical Bulletin 98135
111	265577-4	HEX HEAD BOLT M6X16	1	
112	***	***	***	Click for Technical Bulletin Y06373
113	125472-9	FUEL TANK CAP ASSEMBLY	1	
114	140435-4	FUEL TANK CAP	1	
115	140436-2	STRAP COMPLETE	1	
116	810455-9	CAUTION PLATE	1	
117	424102-2	PLATE	1	
118	424103-0	PLATE	1	
119	424104-8	DAMPER	1	
120	450566-4	FUEL TANK	1	
121	163447-0	GASOLINE FILTER	1	
122	345920-4	HOSE CLAMP	1	
123	168472-6	TUBE COMPLETE	1	
124	195147-4	RECOIL STARTER SET	1	
125	168471-8	PULLEY	1	
126	266585-8	TAPPING SCREW 5X12	1	
127	451940-9	CAM PLATE	1	
128	233984-9	DAMPER SPRING	1	
129	451939-4	REEL	1	
130	232258-5	SPIRAL SPRING	1	
131	424319-7	STARTER KNOB	1	
132	444020-8	STARTER ROPE	1	
133	809116-6	EBH253L MODEL NO. LABEL	1	
134	265188-5	+PAN HEAD SCREW M5X68	2	
135	345919-9	PLATE	1	
136	423376-2	GASKET	1	
137	450560-6	CHOKE PLATE	1	
138	911218-7	PAN HEAD SCREW M5X14	1	
139	450561-4	AIR CLEANER COVER	1	
140	443141-3	AIR CLEANER ELEMENT	1	
141	443140-5	AIR CLEANER ELEMENT	1	
142	345918-1	HOSE CLAMP	1	
143	422041-0	BREATHER PIPE	1	
144	422042-8	PIPE	1	
145	125468-0	CLEANER PLATE ASSEMBLY	1	
146	451925-5	CHOKE LEVER	1	
147	213540-1	O RING 15	1	
148	424316-3	CHECK VALVE	1	
149	213539-6	O RING 14	1	



Model No: EBH253L

ID	Part No	Name	Qty	Notes
150	451924-7	CHECK VALVE PLATE	1	
151	424315-5	CHECK VALVE	1	
152	168577-2	SEPARATOR GASKET	1	
153	168576-4	SEPARATOR PLATE	1	
154	413121-3	CARBURETOR GASKET	1	
155	922228-9	H.S.H.BOLT M5X18 WITH WR	2	
156	450559-1	INSULATOR	1	
159	324961-3	INTAKE PIPE	1	
160	413120-5	INSULATOR GASKET	1	
161	213078-6	O-RING 10	1	
162	922213-2	H.S.H.BOLT M5X12 WITH WR	1	
163	450562-2	CLAMP	1	
165	168497-0	CARBURETOR	1	
166	140437-0	PUMP BODY	1	
167	352010-6	INLET SCREEN	1	
168	442154-1	METERING DIAPHRAGM GASKET	1	
169	168574-8	METERING DIAPHRAGM	1	
170	140438-8	AIR PURGE BODY	1	
171	424314-7	PRIMER PUMP	1	
172	346270-0	PRIMER PUMP COVER	1	
173	266582-4	TAPPING SCREW 3X24	4	
174	168575-6	PUMP DIAPHRAGM	1	
175	442155-9	PUMP GASKET	1	
176	325924-2	JET	1	
177	213538-8	O RING 2	1	
178	234183-6	CONICAL COMPRESSION SPRING 5-9	1	
179	266581-6	PAN HEAD SCREW M3X8 WITH W	2	
180	325922-6	SWIVEL	1	
181	413140-9	WASHER	1	
182	257964-1	STOP RING E-3	1	
183	***	***	***	Click for Technical Bulletin Y06356
184	345964-4	TANK GUARD	1	
185	***	***	***	Click for Technical Bulletin 87422
186	346074-0	CUTTER	1	
187	***	***	***	Click for Technical Bulletin 88011
189	911148-2	PAN HEAD SCREW M4X25	2	
190	***	***	***	Click for Technical Bulletin 87326
191	331835-1	SPACER	2	
192	345963-6	CLAMP	1	
193	638664-6	LEAD UNIT	1	
194	638665-4	LEAD UNIT	1	
195	324980-9	SPARK ARRESTER	1	
196	266583-2	PAN HEAD SCREW M5X25	4	
197	264037-3	HEX NUT M5	4	
198	***	***	***	Click for Technical Bulletin 87662
199	***	***	***	Click for Technical Bulletin 87662
200	***	***	***	Click for Technical Bulletin 87662
201	***	***	***	Click for Technical Bulletin 87662
202	***	***	***	Click for Technical Bulletin 87662



Model No: EBH253L

ID	Part No	Name	Qty	Notes
203	***	***	***	Click for Technical Bulletin 87662
204	***	***	***	Click for Technical Bulletin 87662
205	***	***	***	Click for Technical Bulletin 87662
206	***	***	***	Click for Technical Bulletin 87662
207	***	***	***	Click for Technical Bulletin 87662
208	233540-5	TORSION SPRING 11	1	
209	233541-3	TORSION SPRING 7	1	
210	266326-2	TAPPING SCREW 4X18	4	
211	922218-2	H.S.H.BOLT M5X14 WITH WR	2	
212	188832-6	LEVER CASE SET	1	
213	346248-3	CLAMP 24	2	
214	266130-9	TAPPING SCREW BIND PT 3X16	1	
215	168549-7	CONTROL CABLE	1	
216	232251-9	LEAF SPRING	1	
217	451592-6	THROTTLE LEVER	1	
218	451593-4	LOCK LEVER	1	
219	451594-2	SWITCH LEVER	1	
220	451595-0	SWITCH COVER	1	
221	451602-9	CORRUGATE TUBE	1	
222	638676-9	LEAD UNIT	1	
223	638677-7	LEAD UNIT	1	
224	451598-4	LOOP HANDLE 24	1	
225	451599-2	HANDLE CLAMP 24	1	
226	***	***	***	Click for Technical Bulletin 87505
227	413143-3	WASHER	2	
228	808723-2	CAUTION LABEL	1	
1001	125516-5	BAND ASSEMBLY	1	
1002	242072-1	OIL BOTTLE	1	
1003	783013-3	BOX DRIVER 16-17	1	
1004	***	***	***	Click for Technical Bulletin 95099
1005	***	***	***	Click for Technical Bulletin 95099
1006	831304-7	ACCESSORY BAG	1	
1007	***	***	***	Click for Technical Bulletin Y05475
5002	819432-8	CAUTION TAG	1	