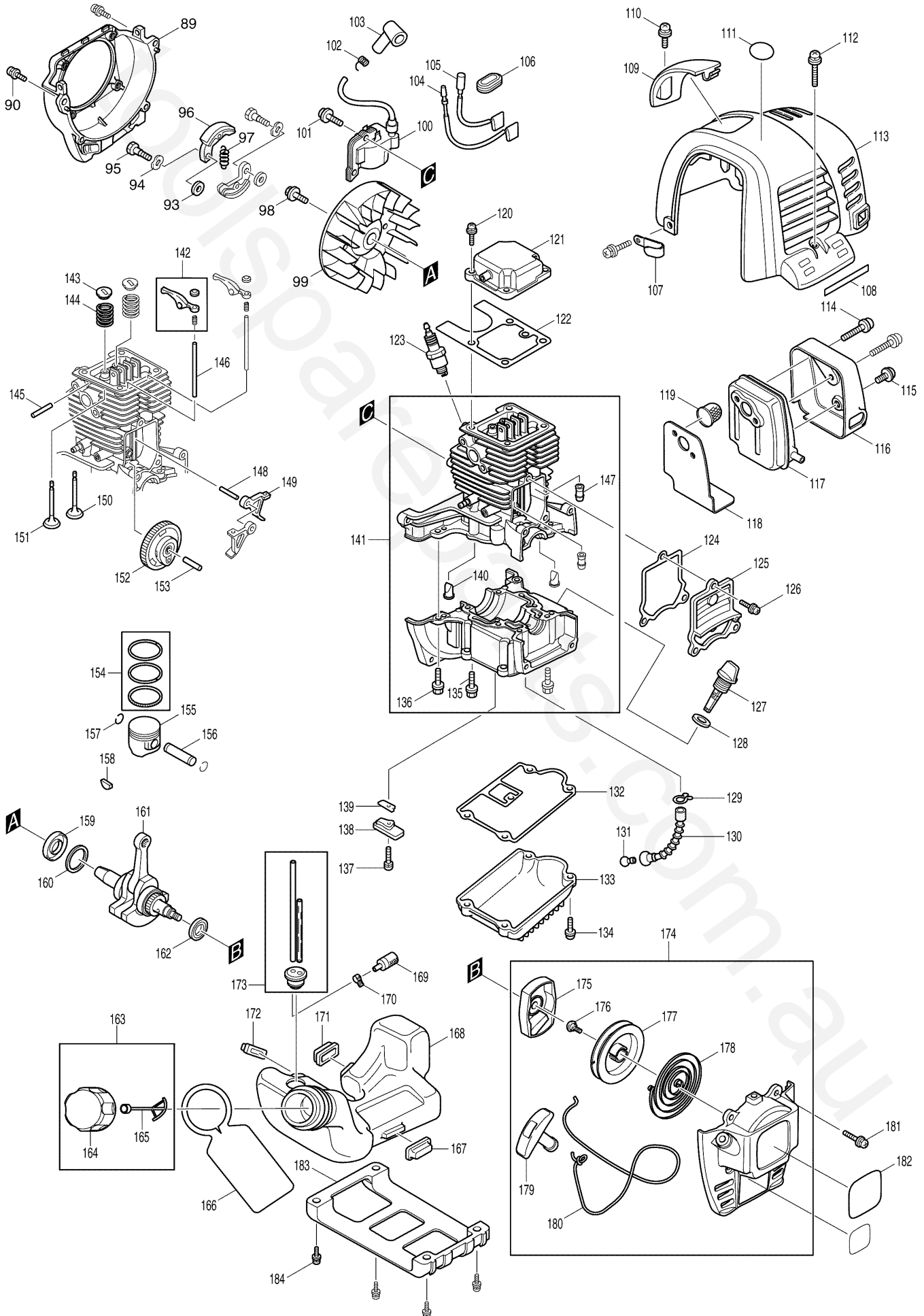
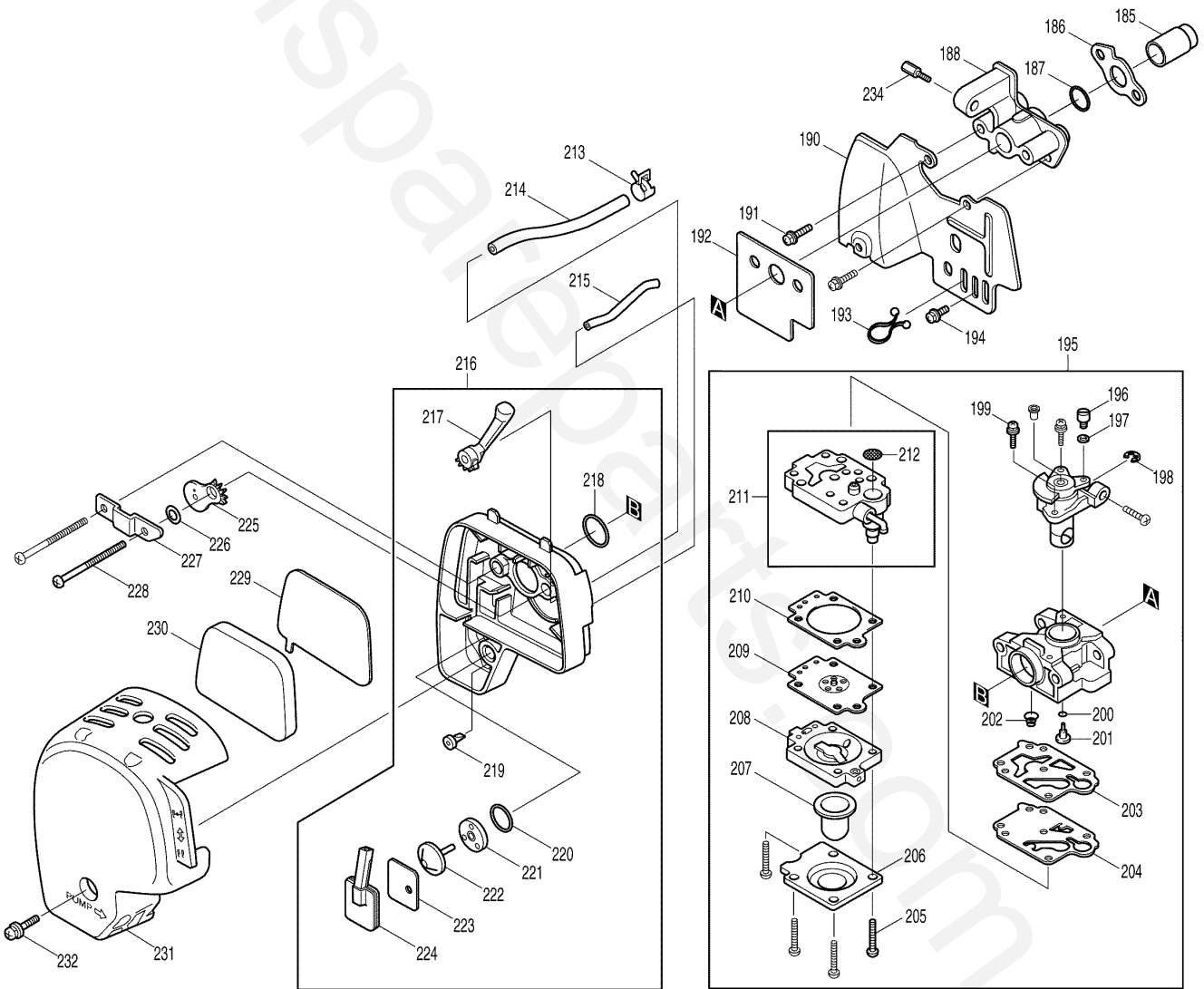


23





## Parts List

| ID | Part No  | Name                        | Qty | Notes                              |
|----|----------|-----------------------------|-----|------------------------------------|
| 1  | 961057-5 | RETAINING RING S-17         | 1   |                                    |
| 2  | 922331-6 | HEX. SOCKET HEAD BOLT M6X20 | 4   |                                    |
| 3  | 318421-5 | CLUTCH CASE                 | 1   |                                    |
| 4  | 451157-4 | SPACER                      | 1   |                                    |
| 5  | 211338-0 | BALL BEARINNG 6003LLU       | 1   |                                    |
| 6  | 962153-2 | RETAINING RING R-35         | 1   |                                    |
| 7  | 165577-3 | CLUTCH DRUM                 | 1   |                                    |
| 8  | 195144-0 | STAND SET                   | 1   |                                    |
| 9  | 911218-7 | PAN HEAD SCREW M5X14        | 2   |                                    |
| 10 | 961151-3 | RETAINING RING S-32         | 1   |                                    |
| 11 | 424204-4 | DAMPER                      | 1   |                                    |
| 12 | 318453-2 | PIPE RETAINER               | 1   |                                    |
| 13 | 922231-0 | HEX. SOCKET HEAD BOLT M5X20 | 3   |                                    |
| 14 | 318454-0 | PIPE BRACKET                | 1   |                                    |
| 15 | 922331-6 | HEX. SOCKET HEAD BOLT M6X20 | 1   |                                    |
| 16 | 922201-9 | HEX. SOCKET HEAD BOLT M5X8  | 1   |                                    |
| 17 | 443146-3 | FELT RING 8                 | 1   |                                    |
| 18 | 195251-9 | LOOP HANDLE SET             | 1   |                                    |
| 19 | 911253-5 | PAN HEAD SCREW M5X30        | 4   |                                    |
| 20 | 451596-8 | LOOP HANDLE 28              | 1   |                                    |
| 21 | 451597-6 | HANDLE CLAMP 28             | 1   |                                    |
| 22 | 451600-3 | SPACER 28                   | 1   |                                    |
| 23 | 125760-4 | CONTROL LEVER ASSEMBLY      | 1   |                                    |
| 24 | 266130-9 | TAPPING SCREW BIND PT 3X16  | 1   |                                    |
| 25 | 451595-0 | SWITCH COVER                | 1   |                                    |
| 26 | 451594-2 | SWITCH LEVER                | 1   |                                    |
| 27 | 232251-9 | LEAF SPRING                 | 1   |                                    |
| 28 | 188831-8 | LEVER CASE SET              | 1   |                                    |
| 29 | 346249-1 | PIPE CLAMP 28               | 2   |                                    |
| 30 | 922218-2 | H.S.H.BOLT M5X14 WITH WR    | 2   |                                    |
| 31 | 451593-4 | LOCK LEVER                  | 1   |                                    |
| 32 | 233541-3 | TORSION SPRING 7            | 1   |                                    |
| 33 | 168549-7 | CONTROL CABLE               | 1   |                                    |
| 34 | 233540-5 | TORSION SPRING 11           | 1   |                                    |
| 35 | 451592-6 | THROTTLE LEVER              | 1   |                                    |
| 36 | 638676-9 | LEAD UNIT                   | 1   |                                    |
| 37 | 638677-7 | LEAD UNIT                   | 1   |                                    |
| 38 | 451602-9 | CORRUGATE TUBE              | 1   |                                    |
| 39 | 266326-2 | TAPPING SCREW 4X18          | 4   |                                    |
| 40 | 188831-8 | LEVER CASE SET              | 1   |                                    |
| 41 | 819312-8 | MAKITA LOGO LABEL           | 1   |                                    |
| 42 | 810561-0 | CAUTION LABEL               | 1   |                                    |
| 43 | ***      | ***                         | *** | Click for Technical Bulletin 98086 |
| 44 | 140042-3 | SHAFT PIPE COMPLETE         | 1   |                                    |
| 45 | 325675-7 | SHAFT                       | 1   |                                    |
| 46 | 413143-3 | WASHER                      | 2   |                                    |



Model No: EBH341L

| ID  | Part No  | Name                       | Qty | Notes                              |
|-----|----------|----------------------------|-----|------------------------------------|
| 47  | 452259-9 | PROTECTOR                  | 1   |                                    |
| 48  | 266326-2 | TAPPING SCREW 4X18         | 1   |                                    |
| 49  | 346074-0 | CUTTER                     | 1   |                                    |
| 50  | 135398-7 | PROTECTOR EXTENSION ASSY   | 1   |                                    |
| 51  | 346072-4 | PROTECTOR CLAMP            | 1   |                                    |
| 52  | 451090-0 | PROTECTOR COVER            | 1   |                                    |
| 53  | 266579-3 | HEX SOCKET HEAD BOLT M6X30 | 2   |                                    |
| 54  | 922218-2 | H.S.H.BOLT M5X14 WITH WR   | 2   |                                    |
| 55  | ***      | ***                        | *** | Click for Technical Bulletin 97835 |
| 57  | ***      | ***                        | *** | Click for Technical Bulletin 97835 |
| 58  | 211064-1 | BALL BEARING 6000          | 1   |                                    |
| 59  | 211062-5 | BALL BEARING 6000ZZ        | 1   |                                    |
| 60  | 961006-2 | RETAINING RING S-10        | 1   |                                    |
| 61  | 962105-3 | RETAINING RING R-26        | 1   |                                    |
| 62  | 922353-6 | HEX.SOCKET HEAD BOLT M6X30 | 1   |                                    |
| 63  | 265590-2 | +HEX.BOLT M8X10 WITH R     | 1   |                                    |
| 64  | 210081-8 | BALL BEARING 629ZZ         | 1   |                                    |
| 66  | 125558-9 | HANGER ASSEMBLY            | 1   |                                    |
| 67  | 922233-6 | HEX SOCKET HEAD BOLT M5X20 | 1   |                                    |
| 68  | 210116-5 | BALL BEARING 6201LLU       | 1   |                                    |
| 69  | 962151-6 | RETAINING RING R-32        | 1   |                                    |
| 70  | 331860-2 | RECEIVE WASHER             | 1   |                                    |
| 71  | ***      | ***                        | *** | Click for Technical Bulletin 96597 |
| 72  | 168526-9 | CUP                        | 1   |                                    |
| 73  | 264025-0 | HEX. NUT M10-17            | 1   |                                    |
| 89  | 318614-4 | BLOWER HOUSING             | 1   |                                    |
| 90  | 922223-9 | H.S.H.BOLT M5X16 WITH WR   | 4   |                                    |
| 93  | ***      | ***                        | *** | Click for Technical Bulletin 95517 |
| 94  | 267832-0 | WAVE WASHER 10             | 2   |                                    |
| 95  | 266571-9 | SHOULDER HEX. BOLT M8X23   | 2   |                                    |
| 96  | 168563-3 | CLUTCH SHOE                | 2   |                                    |
| 97  | 231863-5 | TENSION SPRING 9           | 1   |                                    |
| 98  | 265577-4 | HEX HEAD BOLT M6X16        | 1   |                                    |
| 99  | 318611-0 | FLYWHEEL                   | 1   |                                    |
| 100 | 168501-5 | IGNITION COIL              | 1   |                                    |
| 101 | 922138-0 | H.S.H.BOLT M4X20 WITH WR   | 2   |                                    |
| 102 | 324891-8 | PLUG CAP SPRING            | 1   |                                    |
| 103 | 424105-6 | PLUG CAP                   | 1   |                                    |
| 104 | 638664-6 | LEAD UNIT                  | 1   |                                    |
| 105 | 638665-4 | LEAD UNIT                  | 1   |                                    |
| 106 | 424313-9 | GROMMET                    | 1   |                                    |
| 107 | 345963-6 | CLAMP                      | 1   |                                    |
| 108 | 814995-9 | SERIAL LABEL               | 1   |                                    |
| 109 | ***      | ***                        | *** | Click for Technical Bulletin 98675 |
| 110 | 266572-7 | + TRUSS HEAD SCREW M5X8    | 1   |                                    |
| 111 | 808633-3 | 4STROKE INDICATION LABEL   | 1   |                                    |
| 112 | 911213-7 | PAN HEAD SCREW M5X12       | 3   |                                    |
| 113 | 451875-4 | CYLINDER COVER             | 1   |                                    |
| 114 | 266440-4 | HEX SOCKET HEAD BOLT M5X40 | 2   |                                    |



Model No: EBH341L

| ID  | Part No  | Name                        | Qty | Notes                               |
|-----|----------|-----------------------------|-----|-------------------------------------|
| 115 | 265184-3 | +TRUSS HEAD SCREW M5X5      | 1   |                                     |
| 116 | 345915-7 | MUFFLER COVER               | 1   |                                     |
| 117 | 168469-5 | EXHAUST MUFFLER             | 1   |                                     |
| 118 | 345916-5 | MUFFLER GASKET              | 1   |                                     |
| 119 | 324980-9 | SPARK ARRESTER              | 1   |                                     |
| 120 | 922217-4 | HEX. SOCKET HEAD BOLT M5X14 | 4   |                                     |
| 121 | 140419-2 | ROCKER COVER COMPLETE       | 1   |                                     |
| 122 | 162307-3 | ROCKER COVER GASKET         | 1   |                                     |
| 123 | 168534-0 | SPARK PLUG                  | 1   |                                     |
| 124 | 162274-2 | CAM GEAR COVER GASKET       | 1   |                                     |
| 125 | 318443-5 | CAM GEAR COVER              | 1   |                                     |
| 126 | 922212-4 | HEX. SOCKET HEAD BOLT M5X12 | 3   |                                     |
| 127 | 450565-6 | OIL GAUGE                   | 1   |                                     |
| 128 | 424100-6 | GASKET                      | 1   |                                     |
| 129 | 282020-8 | HOSE CLAMP                  | 1   |                                     |
| 130 | 424202-8 | OIL TUBE                    | 1   |                                     |
| 131 | 325666-8 | OIL WEIGHT                  | 1   |                                     |
| 132 | 162308-1 | CASE GASKET                 | 1   |                                     |
| 133 | 318612-8 | OIL CASE                    | 1   |                                     |
| 134 | 922217-4 | HEX. SOCKET HEAD BOLT M5X14 | 4   |                                     |
| 135 | 266573-5 | HEX. SOCKET HEAD BOLT M5X33 | 4   |                                     |
| 136 | ***      | ***                         | *** | Click for Technical Bulletin 90299  |
| 137 | ***      | ***                         | *** | Click for Technical Bulletin 89357  |
| 138 | 318440-1 | RETAINER PLATE              | 1   |                                     |
| 139 | 346083-9 | LEAD VALVE                  | 1   |                                     |
| 140 | 424201-0 | CHECK VALVE                 | 2   |                                     |
| 141 | 135373-3 | CYLINDER BLOCK ASSEMBLY     | 1   |                                     |
| 142 | 125554-7 | ROCKER ARM ASSEMBLY         | 2   |                                     |
| 143 | 325912-9 | SPRING RETAINER             | 2   |                                     |
| 144 | ***      | ***                         | *** | Click for Technical Bulletin Y06423 |
| 145 | 256200-2 | PIN 5                       | 1   |                                     |
| 146 | 256866-8 | ROD 2.5                     | 2   |                                     |
| 147 | 424200-2 | SPACER                      | 2   |                                     |
| 148 | 268239-3 | PIN 4                       | 1   |                                     |
| 149 | 313169-4 | CAM LIFTER                  | 2   |                                     |
| 150 | 325913-7 | EXHAUST VALVE               | 1   |                                     |
| 151 | 325914-5 | INTAKE VALVE                | 1   |                                     |
| 152 | 125552-1 | CAM GEAR ASSEMBLY           | 1   |                                     |
| 153 | 268238-5 | PIN 5                       | 1   |                                     |
| 154 | 195141-6 | PISTON RING SET             | 1   |                                     |
| 155 | 318613-6 | PISTON                      | 1   |                                     |
| 156 | 257796-6 | PISTON PIN                  | 1   |                                     |
| 157 | 233983-1 | CLIP                        | 2   |                                     |
| 158 | 254040-2 | WOODRUFF KEY 3              | 1   |                                     |
| 159 | 213537-0 | OIL SEAL 12                 | 1   |                                     |
| 160 | 267425-3 | FLAT WASHER 26              | 1   |                                     |
| 161 | ***      | ***                         | *** | Click for Technical Bulletin Y06245 |
| 162 | 213148-1 | OIL SEAL 10                 | 1   |                                     |
| 163 | 125472-9 | FUEL TANK CAP ASSEMBLY      | 1   |                                     |



Model No: EBH341L

| ID  | Part No  | Name                           | Qty | Notes                              |
|-----|----------|--------------------------------|-----|------------------------------------|
| 164 | 140435-4 | FUEL TANK CAP                  | 1   |                                    |
| 165 | 140436-2 | STRAP COMPLETE                 | 1   |                                    |
| 166 | 810455-9 | CAUTION PLATE                  | 1   |                                    |
| 167 | 424104-8 | DAMPER                         | 1   |                                    |
| 168 | 451877-0 | FUEL TANK                      | 1   |                                    |
| 169 | 163447-0 | GASOLINE FILTER                | 1   |                                    |
| 170 | 345920-4 | HOSE CLAMP                     | 1   |                                    |
| 171 | 424103-0 | PLATE                          | 1   |                                    |
| 172 | 424102-2 | PLATE                          | 1   |                                    |
| 173 | 162309-9 | TUBE                           | 1   |                                    |
| 174 | 195142-4 | RECOIL STARTER SET             | 1   |                                    |
| 175 | 165606-2 | PULLEY                         | 1   |                                    |
| 176 | 266580-8 | TAPPING SCREW 5X10             | 1   |                                    |
| 177 | 451923-9 | REEL                           | 1   |                                    |
| 178 | 232257-7 | SPIRAL SPRING                  | 1   |                                    |
| 179 | 424317-1 | STARTER KNOB                   | 1   |                                    |
| 180 | 444018-5 | STARTER ROPE                   | 1   |                                    |
| 181 | 911218-7 | PAN HEAD SCREW M5X14           | 4   |                                    |
| 182 | 819433-6 | EBH341L MODEL NO. LABEL        | 1   |                                    |
| 183 | 162310-4 | TANK GUARD                     | 1   |                                    |
| 184 | ***      | ***                            | *** | Click for Technical Bulletin A1477 |
| 185 | 325915-3 | INTAKE PIPE                    | 1   |                                    |
| 186 | 413120-5 | INSULATOR GASKET               | 1   |                                    |
| 187 | 213078-6 | O-RING 10                      | 1   |                                    |
| 188 | 451874-6 | INSULATOR                      | 1   |                                    |
| 190 | 346261-1 | CARBURETOR INSULATOR           | 1   |                                    |
| 191 | 922228-9 | H.S.H.BOLT M5X18 WITH WR       | 2   |                                    |
| 192 | 413138-6 | CARBURETOR GASKET              | 1   |                                    |
| 193 | 450562-2 | CLAMP                          | 1   |                                    |
| 194 | 922213-2 | H.S.H.BOLT M5X12 WITH WR       | 1   |                                    |
| 195 | 168561-7 | CARBURETOR                     | 1   |                                    |
| 196 | 325922-6 | SWIVEL                         | 1   |                                    |
| 197 | 413140-9 | WASHER                         | 1   |                                    |
| 198 | 257964-1 | STOP RING E-3                  | 1   |                                    |
| 199 | 266581-6 | PAN HEAD SCREW M3X8 WITH W     | 2   |                                    |
| 200 | 213538-8 | O RING 2                       | 1   |                                    |
| 201 | 325921-8 | JET                            | 1   |                                    |
| 202 | 234183-6 | CONICAL COMPRESSION SPRING 5-9 | 1   |                                    |
| 203 | 442155-9 | PUMP GASKET                    | 1   |                                    |
| 204 | 168575-6 | PUMP DIAPHRAGM                 | 1   |                                    |
| 205 | 266582-4 | TAPPING SCREW 3X24             | 4   |                                    |
| 206 | 346270-0 | PRIMER PUMP COVER              | 1   |                                    |
| 207 | 424314-7 | PRIMER PUMP                    | 1   |                                    |
| 208 | 140438-8 | AIR PURGE BODY                 | 1   |                                    |
| 209 | 168574-8 | METERING DIAPHRAGM             | 1   |                                    |
| 210 | 442154-1 | METERING DIAPHRAGM GASKET      | 1   |                                    |
| 211 | 140437-0 | PUMP BODY                      | 1   |                                    |
| 212 | 352010-6 | INLET SCREEN                   | 1   |                                    |
| 213 | 345918-1 | HOSE CLAMP                     | 1   |                                    |





Model No: EBH341L

| ID   | Part No  | Name                       | Qty | Notes                               |
|------|----------|----------------------------|-----|-------------------------------------|
| 214  | 422055-9 | BREATHER PIPE              | 1   |                                     |
| 215  | 422042-8 | PIPE                       | 1   |                                     |
| 216  | 125468-0 | CLEANER PLATE ASSEMBLY     | 1   |                                     |
| 217  | 451925-5 | CHOKE LEVER                | 1   |                                     |
| 218  | 213540-1 | O RING 15                  | 1   |                                     |
| 219  | 424316-3 | CHECK VALVE                | 1   |                                     |
| 220  | 213539-6 | O RING 14                  | 1   |                                     |
| 221  | 451924-7 | CHECK VALVE PLATE          | 1   |                                     |
| 222  | 424315-5 | CHECK VALVE                | 1   |                                     |
| 223  | 168577-2 | SEPARATOR GASKET           | 1   |                                     |
| 224  | 168576-4 | SEPARATOR PLATE            | 1   |                                     |
| 225  | 450560-6 | CHOKE PLATE                | 1   |                                     |
| 226  | 423376-2 | GASKET                     | 1   |                                     |
| 227  | 345919-9 | PLATE                      | 1   |                                     |
| 228  | 265188-5 | +PAN HEAD SCREW M5X68      | 2   |                                     |
| 229  | 443140-5 | AIR CLEANER ELEMENT        | 1   |                                     |
| 230  | 443141-3 | AIR CLEANER ELEMENT        | 1   |                                     |
| 231  | 450561-4 | AIR CLEANER COVER          | 1   |                                     |
| 232  | 911218-7 | PAN HEAD SCREW M5X14       | 1   |                                     |
| 234  | 325663-4 | ADJUST SCREW               | 1   |                                     |
| 235  | 808723-2 | CAUTION LABEL              | 1   |                                     |
| 1001 | B-05131  | BUMP & FEED Z5 M BRAND MHI | 1   |                                     |
| 1002 | 125516-5 | BAND ASSEMBLY              | 1   |                                     |
| 1003 | 783013-3 | BOX DRIVER 16-17           | 1   |                                     |
| 1004 | ***      | ***                        | *** | Click for Technical Bulletin 95099  |
| 1005 | ***      | ***                        | *** | Click for Technical Bulletin 95099  |
| 1006 | 242072-1 | OIL BOTTLE                 | 1   |                                     |
| 1007 | 831304-7 | ACCESSORY BAG              | 1   |                                     |
| 1008 | 450573-7 | TOOL COVER                 | 2   |                                     |
| 1009 | ***      | ***                        | *** | Click for Technical Bulletin Y06196 |
| 5001 | 819432-8 | CAUTION TAG                | 1   |                                     |