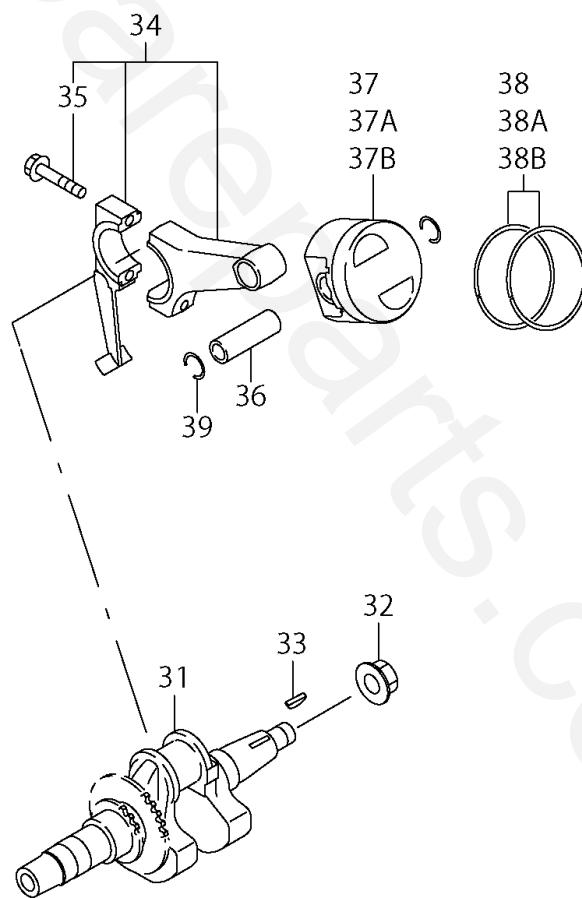
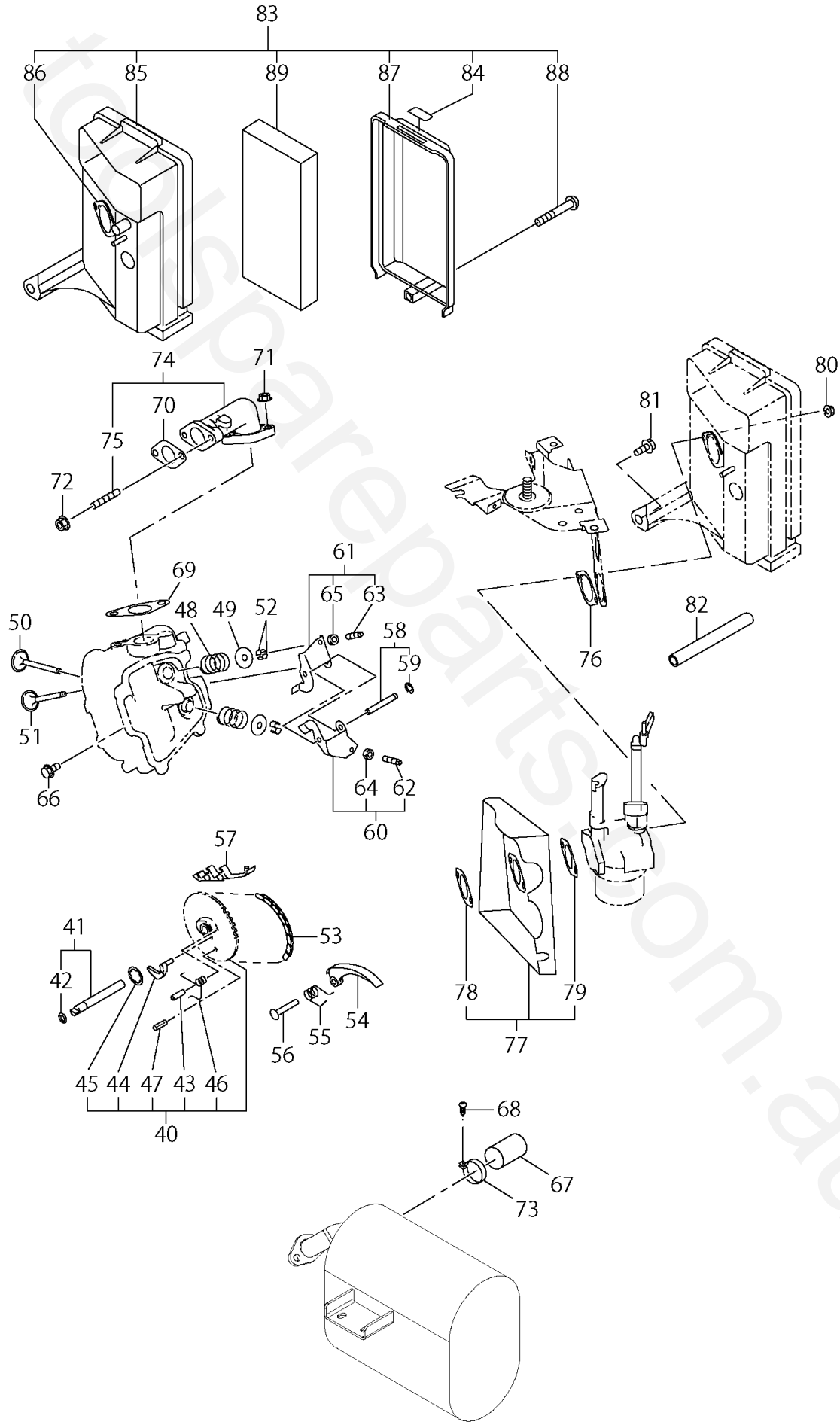
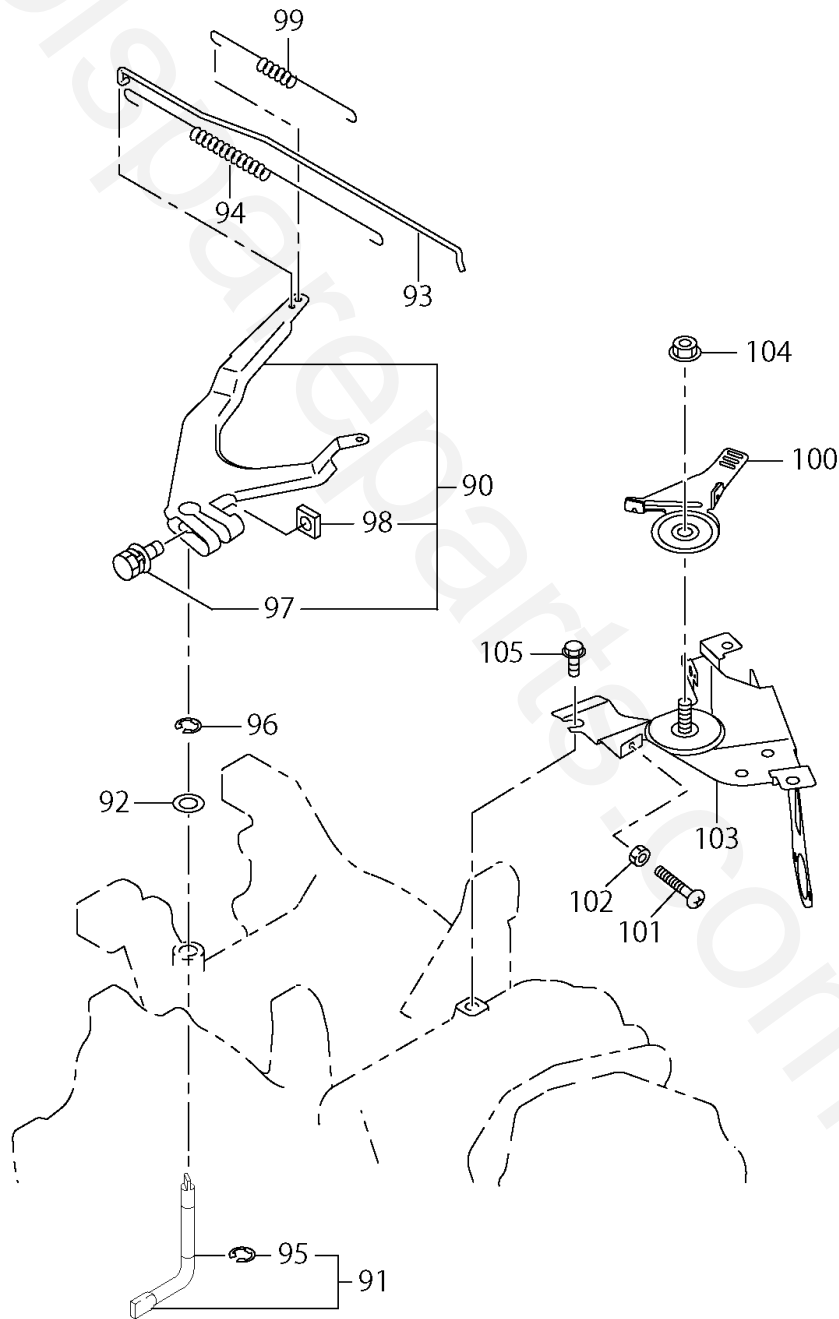
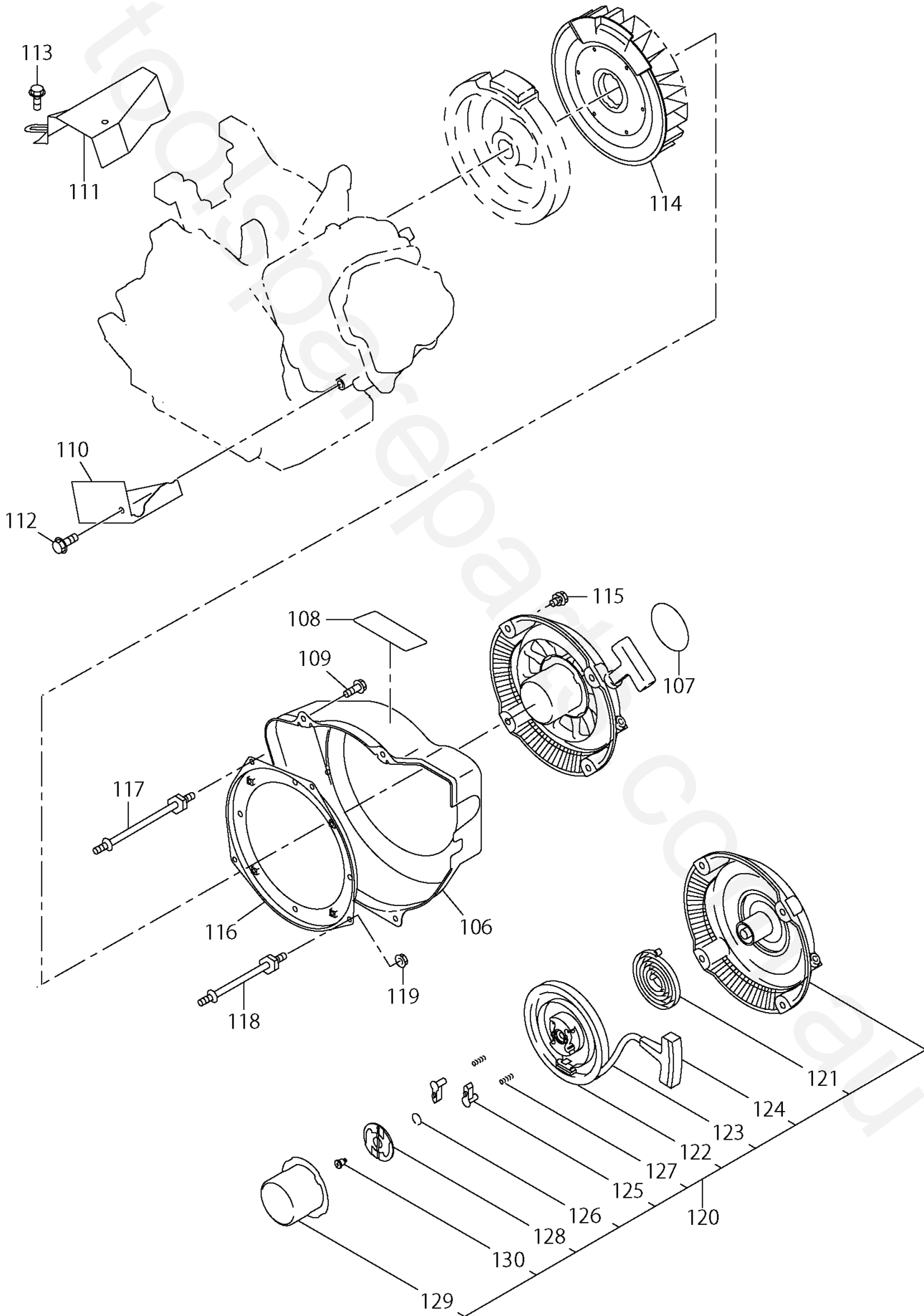


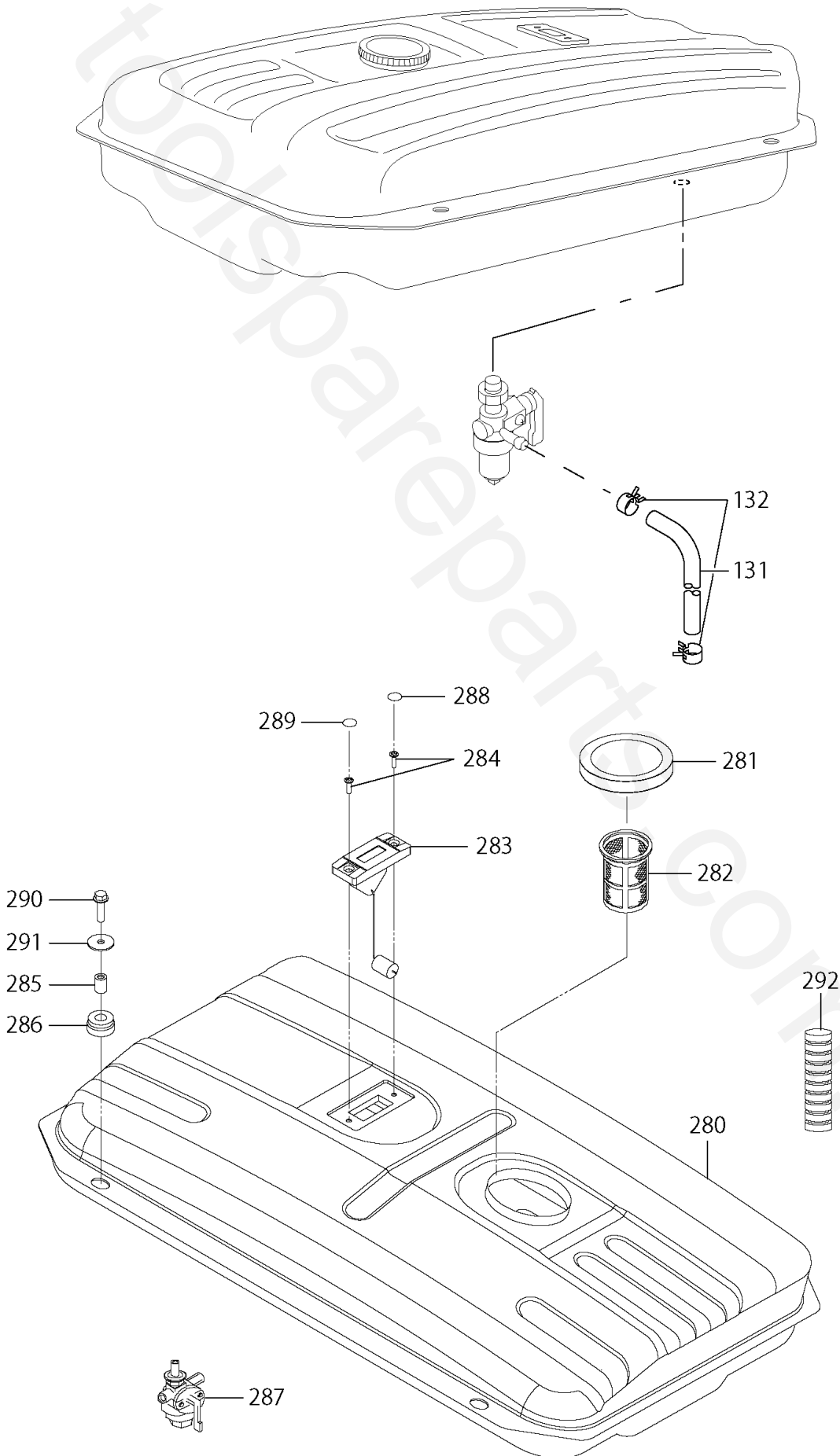
30 – GASKET SET

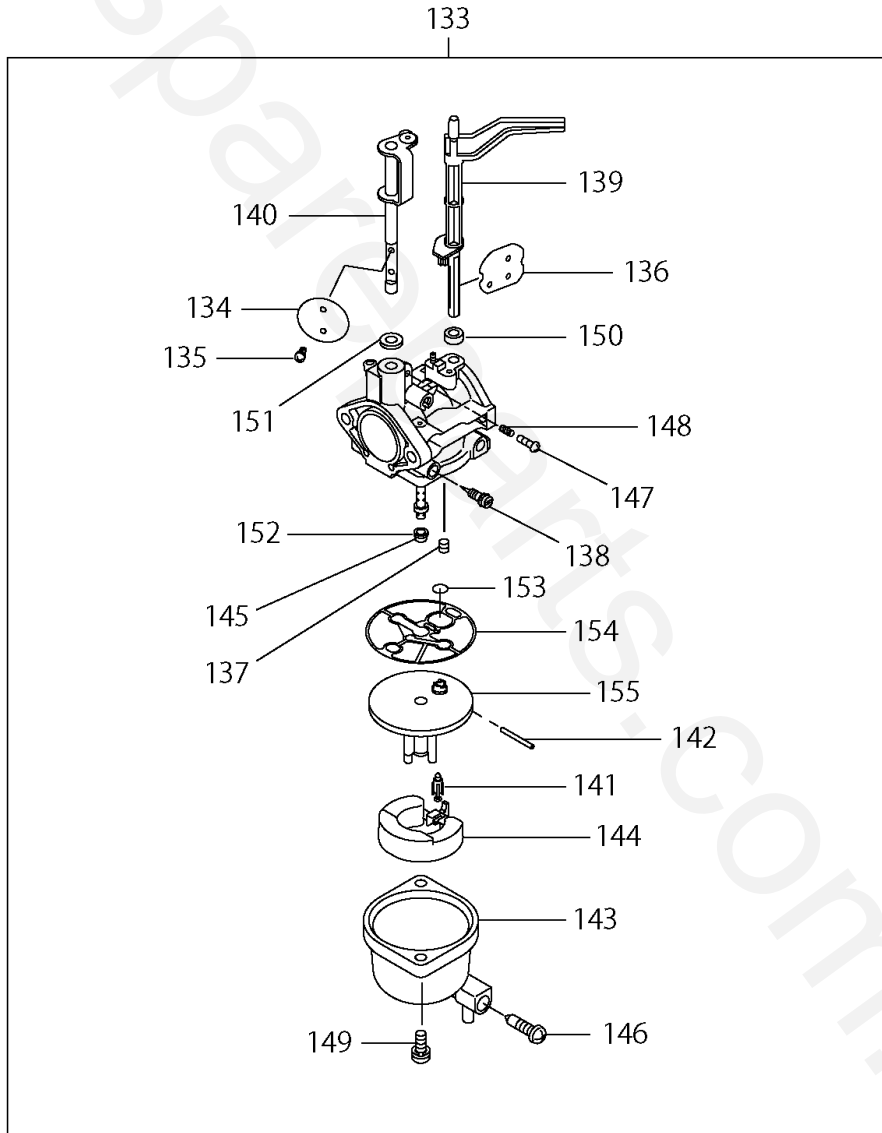


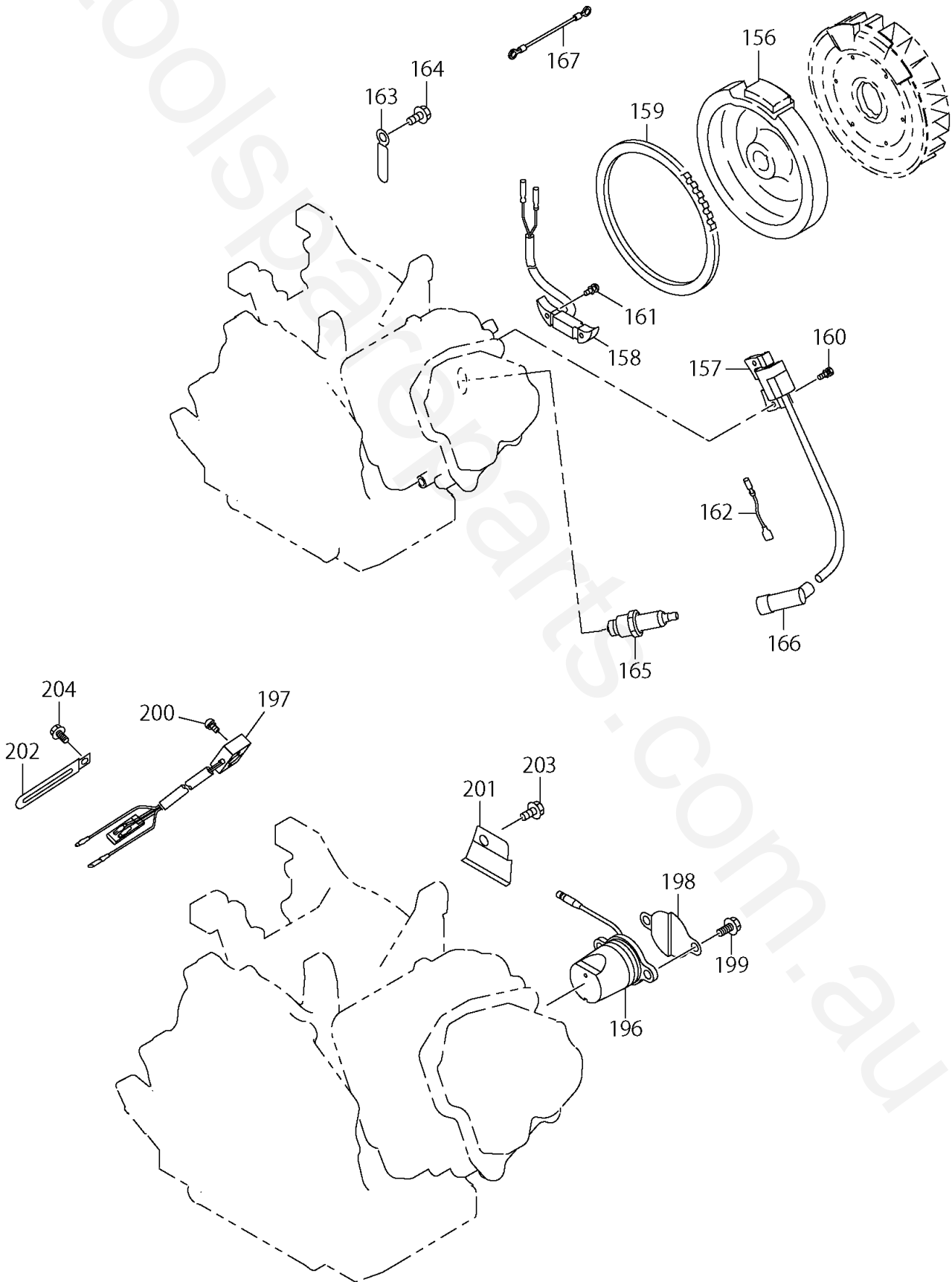


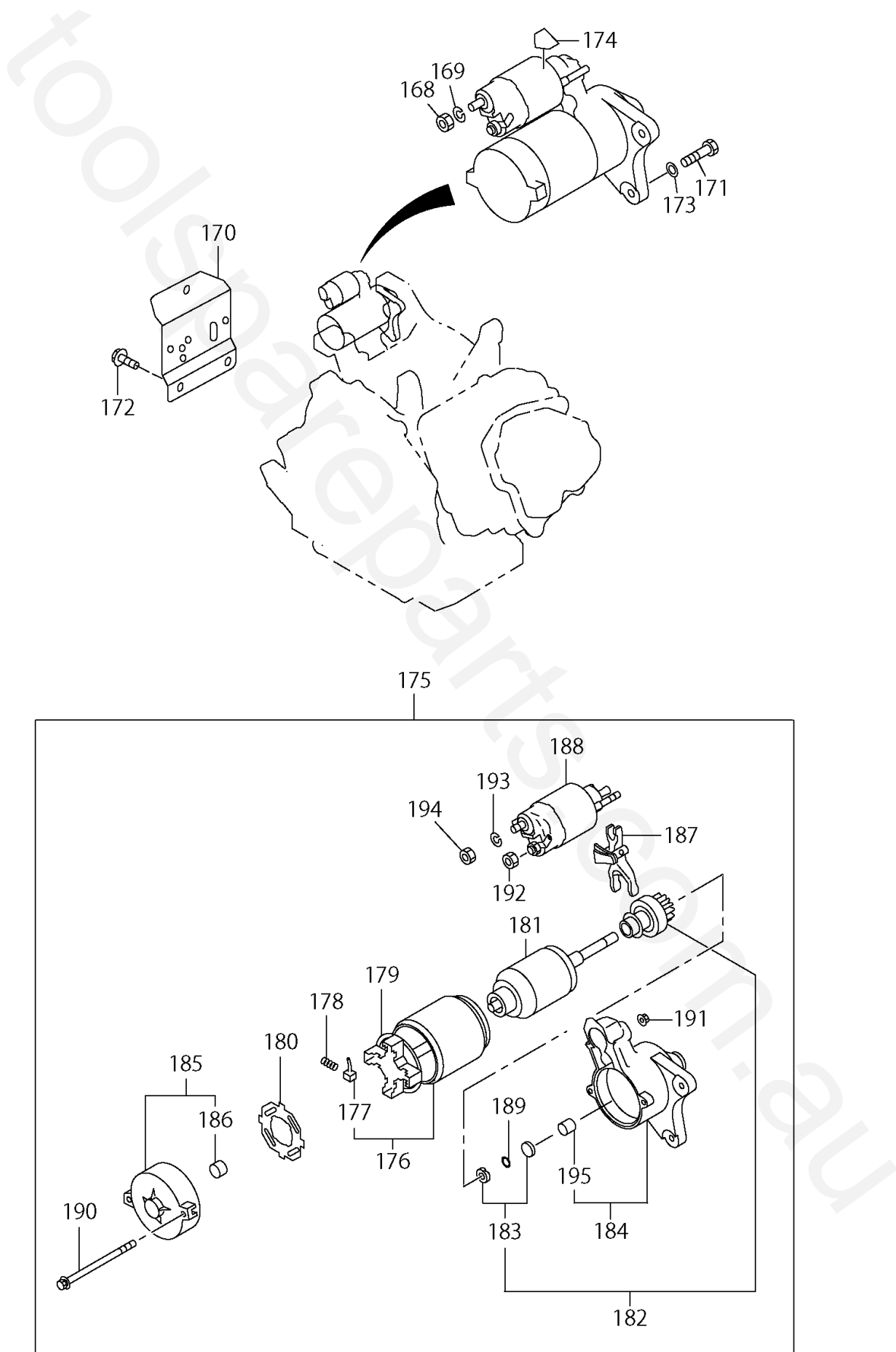


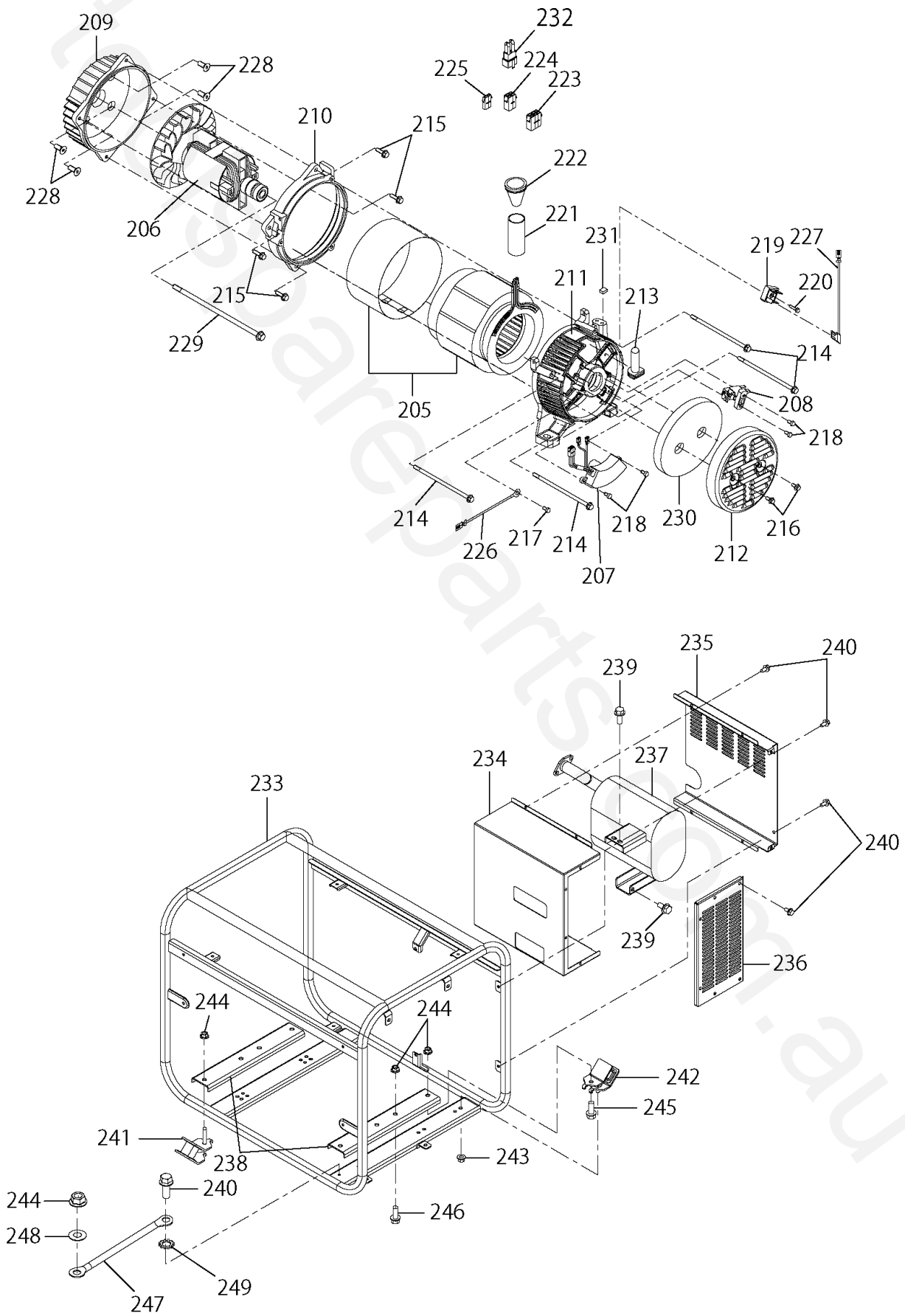


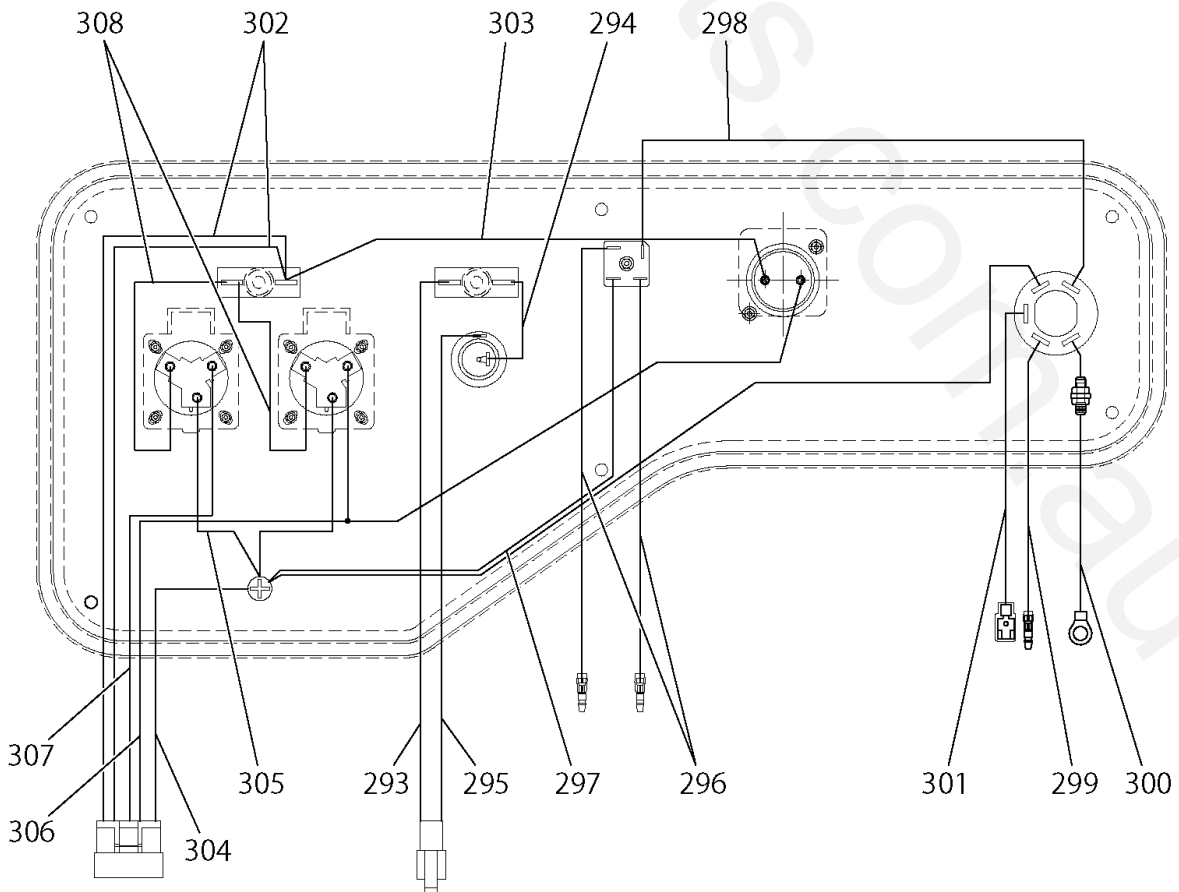
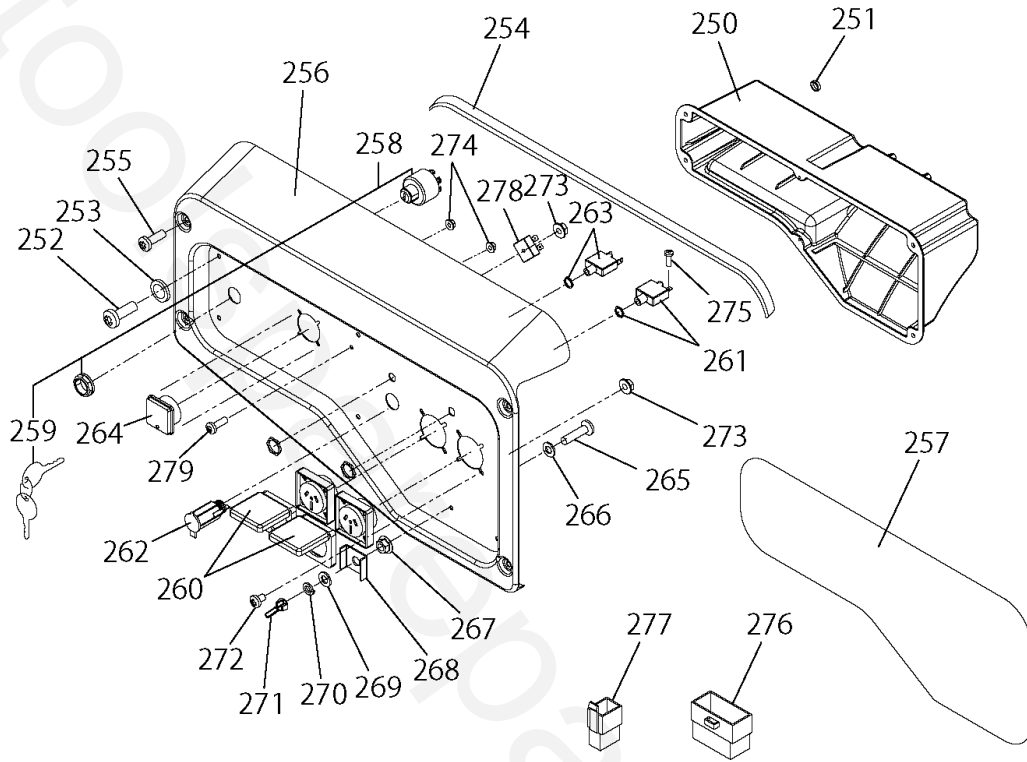


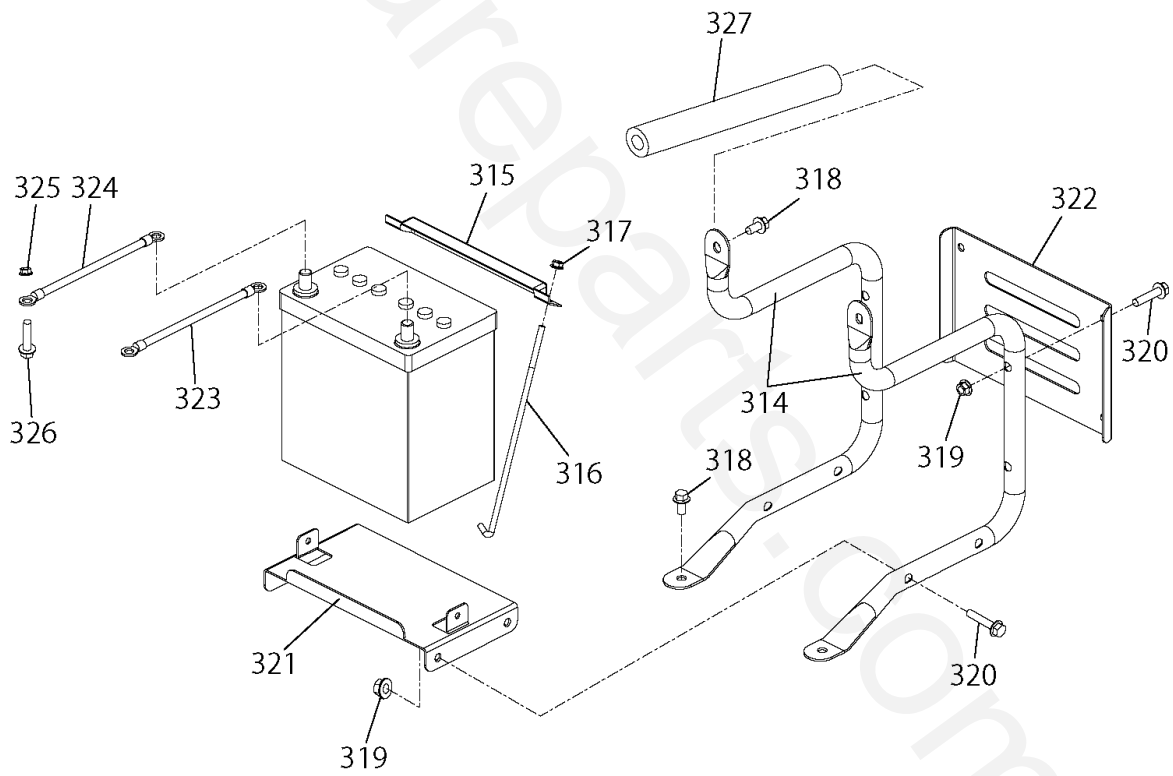


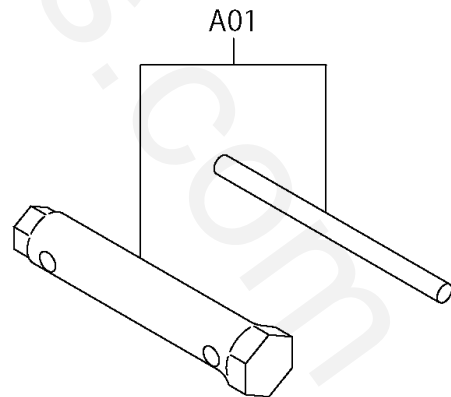
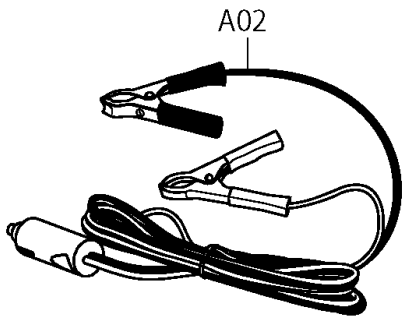
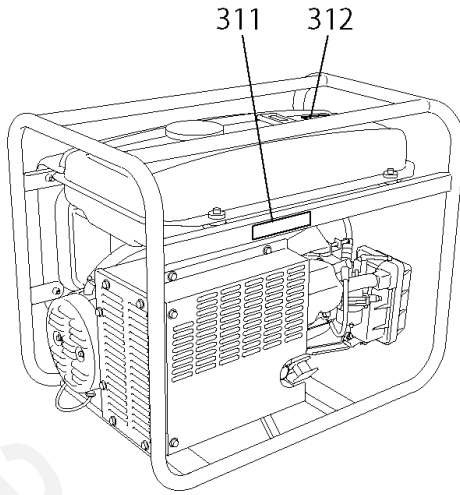
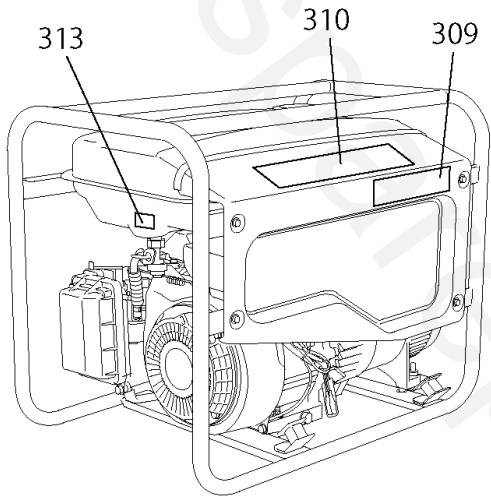












Parts List

ID	Part No	Name	Qty	Notes
1	***	***	***	Click for Technical Bulletin Y06058
2	20B1420203	VALVE GUIDE	2	
3	0565100050	CLIP	1	
4	13211AA110	SEAL(INTAKE VALVE)	1	
5	2633534103	RETAINER PLATE	1	
6	0440350091	OIL SEAL (TB 35X48X8MM)	1	
7	X600350240	BALL BEARING	1	
8	2771501103	PIPE KNOCK 10.3DX8.5DX14L	2	
9	0105080290	MUFFLER STUD	2	
10	0105060351	STUD M6X1.0X98L	2	
11	0440080010	OIL SEAL	1	
12	0401140030	PLUG	2	
13	0211140020	GASKET	2	
14	20B1100421	MAINBEARING COVER CP	1	
15	0440350091	OIL SEAL (TB 35X48X8MM)	1	
16	X600350240	BALL BEARING	1	
17	20B4500311	GOVERNOR GEAR CP	1	
18	2774190201	GOVERNOR SLEEVE CP	1	
19	***	***	***	Click for Technical Bulletin Y06098
20	2796360130	OIL GAUGE AY	2	
21	0110080340	FLANGE BOLT	8	
22	20B1300100	CYLINDER HEAD AY	1	
23	***	***	***	Click for Technical Bulletin Y05998
24	0110100040	FLANGE BOLT	4	
25	0010408350	FLANGE BOLT	2	
26	20B1550101	ROCKER COVER CP	1	
27	20B1600103	GASKET(ROCKER COVER)	1	
28	0310060010	DOWEL PIN	2	
29	0110060020	FLANGE BOLT M6X1.0X14DX12L	4	
30	***	***	***	Click for Technical Bulletin Y05995
31	20B2070101	CRANK SHAFT CP	1	
32	0180180010	FLANGE NUT M18X15X31DX14H	1	
33	0053205401	WOODRUFF KEY	1	
34	***	***	***	Click for Technical Bulletin Y06067
35	0010508400	FLANGE BOLT	2	
36	2632330133	PISTON PIN	1	
37	***	***	***	Click for Technical Bulletin Y06410
38	***	***	***	Click for Technical Bulletin
39	0565210020	CLIP	2	
40	20B3160210	CAMSHAFT AY	1	
41	20B3510121	PIN (CAM SHAFT) CP	1	
42	0240070021	O-RING	1	
43	0051904100	SPRING PIN	1	
44	***	***	***	Click for Technical Bulletin Y06194
45	20B3650103	CLIP	1	
46	20B3870103	RETURN SPRING	1	



Model No: EG602AE

ID	Part No	Name	Qty	Notes
47	0318050020	ROLL PIN	1	
48	2463361103	VALVE SPRING	2	
49	2463371113	SPRING RETAINER	2	
50	20B33401H3	INTAKE VALVE	1	
51	20B33501H3	EXHAUST VALVE	1	
52	2463550103	COLLET-VALVE	4	
53	20B35601H1	TIMING CHAIN CP	1	
54	2773691103	TENSIONER	1	
55	2773710103	SPRING(TENSIONER)	1	
56	2773690203	PIN(TENSIONER) 6DX13DX34L	1	
57	2773691313	CHAIN GUIDE	1	
58	20B3500101	PIN(ROCKER)CP	1	
59	0031306000	CLIP	1	
60	20B3610100	ROCKER ARM(IN) AY	1	
61	20B3610210	ROCKER ARM(EX) AY	1	
62	0149050020	ADJUST SCREW M5X23	1	
63	0149050020	ADJUST SCREW M5X23	1	
64	0170050030	NUT M5	1	
65	0170050030	NUT M5	1	
66	0110060010	FLANGE BOLT M6X1.0X14DX8L	1	
67	20B3760211	SILENCER CP	1	
68	0043104160	SCREW PANHEAD	1	
69	***	***	***	Click for Technical Bulletin Y05960
70	2703520101	GASKET COMPL.(EXHAUST)	1	
71	0023808000	FLANGE NUT	2	
72	0023808000	FLANGE NUT	2	
73	20B3920301	BAND (SILENCER) CP	1	
74	20B3400101	EXHAUST PIPE CP	1	
75	0105080290	MUFFLER STUD	2	
76	20B3590313	GASKET 3	1	
77	20B32901J1	INSULATOR CP	1	
78	20B35902H3	GASKET 2	1	
79	20B35901H3	GASKET 1	1	
80	0023806000	FLANGE NUT M6	2	
81	0010406160	FLANGE BOLT	1	
82	X851100170	RUBBER PIPE	1	
83	***	***	***	Click for Technical Bulletin Y06427
84	20B32660H8	CHOKE LABEL	1	
85	***	***	***	Click for Technical Bulletin Y06427
86	20B32720H8	PACKING	1	
87	20B32640H8	COVER CP	1	
88	20B32650H8	BOLT	1	
89	20B32611H8	ELEMENT	1	
90	20B4230110	GOVERNOR LEVER AY	1	
91	20B4220101	GOVERNOR SHAFT CP	1	
92	0031108000	WASHER	1	
93	20B4270113	GOVERNOR ROD	1	
94	20B4280113	ROD SPRING	1	
95	0031306000	CLIP	1	



Model No: EG602AE

ID	Part No	Name	Qty	Notes
96	0031306000	CLIP	1	
97	0011406250	BOLT & WASHER ASS'Y	1	
98	0186060020	NUT M6X1.0X4.9H	1	
99	20B4250213	GOVERNOR SPRING	1	
100	20B4335103	SPEED CONTROL LEVER	1	
101	0043106400	SCREW	1	
102	0022706000	NUT M6	1	
103	20B4600121	SPEED CONTROL BKT CP	1	
104	0023506000	SELF LOCK NUT	1	
105	0110060020	FLANGE BOLT M6X1.0X14DX12L	1	
106	20B51201H1	BLOWER HOUSING CP	1	
107	20B9170213	LABEL(MAKITA)	1	
108	0732005760	LABEL(WARNING)	1	
109	0010406160	FLANGE BOLT	5	
110	20B52702H1	BAFFLE 2(HEAD) CP	1	
111	20B5500103	DUCT(CASE)	1	
112	0110060020	FLANGE BOLT M6X1.0X14DX12L	3	
113	0110060020	FLANGE BOLT M6X1.0X14DX12L	3	
114	20B54101H3	COOLING BLOWER	1	
115	0130060281	BOLT AND WASHER AY	4	
116	20B5510102	RECOIL BRACKET UN	1	
117	0100080440	BOLT	1	
118	0100080450	BOLT	2	
119	0023806000	FLANGE NUT M6	3	
120	20B5030120	RECOIL STARTER AY	1	
121	2775015508	SPIRAL SPRING	1	
122	20B5012008	REEL	1	
123	20B5011008	STARTER ROPE	1	
124	2615010018	STARTER KNOB	1	
125	1615012508	RATCHET	2	
126	2275013108	FRICTION SPRING	1	
127	2275013508	RETURN SPRING	2	
128	1615015008	RATCHET GUIDE	1	
129	20B5014508	STARTER PULLEY	1	
130	20B5010108	SET SCREW	1	
131	***	***	***	Click for Technical Bulletin Y05949
132	0561080020	HOSE CLAMP	2	
133	***	***	***	Click for Technical Bulletin Y06021
134	20B6253508	VALVE,THROTTLE	1	
135	2616235208	SCREW VALVE SET	2	
136	20B6252608	VALVE,CHOKE	1	
137	2616242008	JET,SLOW	1	
138	20B6235708	NEEDLE CP,IDLEADJUST	1	
139	20B6252718	CHOKE SHAFT	1	
140	20B6253008	SHAFT AY,THROTTLE	1	
141	20B6250008	VALVE AY FLOAT	1	
142	2636251508	PIN,FLOAT	1	
143	20B6255008	CHAMBER CP,FLOAT	1	
144	20B6250508	FLOAT AY	1	



Model No: EG602AE

ID	Part No	Name	Qty	Notes
145	20B6243708	JET,MAIN (#108)	1	
146	20B6235408	SCREW,DRAIN	1	
147	20B6235308	SCREW,THRO.ADJUST	1	
148	20B6244508	SPRING,THRO.ADJUST	1	
149	20B6245308	SCREW	2	
150	2586255408	FILTER CHOKE SHAFT	1	
151	2266258008	AIR FILTER	1	
152	20B6254208	O RING	1	
153	20B6254108	O RING	1	
154	20B6254008	SPACER	1	
155	20B6252008	SPACER	1	
156	20B79241H1	FLYWHEEL CP	1	
157	20B79430H1	IGNITION COIL CP	1	
158	20B79301H1	CHARGE COIL CP	1	
159	20B7100203	RING GEAR	1	
160	0011406300	BOLT AND WASHER ASS'Y	2	
161	0043506200	SCREW & WASHER ASS'Y	2	
162	20B7310101	WIRE 1 CP	1	
163	2147900601	CLAMP COMPLETE	1	
164	0110060010	FLANGE BOLT M6X1.0X14DX8L	1	
165	0650140150	SPARK PLUG (BR6HS)	1	
166	0655000320	SPARK PLUG CAP	1	
167	20B7310201	WIRE 2 CP	1	
168	0021708000	NUT	1	
169	0032008000	SPRING WASHER	1	
170	20B7651101	BRACKET(SEL) CP	1	
171	2147900701	BOLT,STARTER	2	
172	0110060020	FLANGE BOLT M6X1.0X14DX12L	3	
173	0031008000	WASHER	2	
174	0732004480	LABEL(BATTERY)	1	
175	2797050200	STARTING MOTOR ASSEMBLY	1	
176	2097055008	YOKE COMPLETE	1	
177	2097055108	BRUSH	4	
178	2097054508	BRUSH SPRING	4	
179	2097053008	BRUSH HOLDER	1	
180	2097055208	INSULATOR	1	
181	2097055408	ARMATURE ASSEMBLY	1	
182	2097052108	OVER RUNNING CLUTCH	1	
183	2347055508	PINION STOPPER	1	
184	2797055008	HOUSING COMPLETE	1	
185	2097050518	FRAME COMPLETE	1	
186	2097051008	BUSH	1	
187	2097052508	LEVER	1	
188	2797051518	MAGNET SWITCH CP	1	
189	2097055718	SNAP RING	1	
190	2097055808	THROUGH BOLT	2	
191	9492997002	NUT	2	
192	2097056008	NUT	1	
193	1077065208	SPRING WASHER	1	



Model No: EG602AE

ID	Part No	Name	Qty	Notes
194	2117058408	NUT	1	
195	2097051108	BUSH	1	
196	2797630151	OIL SENSOR CP	1	
197	KU31107601	FLOAT C/U CP10	1	
198	2777580103	SHIELD PLATE(O/S)	1	
199	0010406140	FLANGE BOLT	2	
200	0043604120	SCREW AND WASHER AY	2	
201	20B7550103	WIRE CLAMP	1	
202	0566000250	CLAMP	1	
203	0152060050	TAPPING BOLT	1	
204	0110060010	FLANGE BOLT M6X1.0X14DX8L	1	
205	FJ20459000	STATOR CP	1	
206	36D2010108	ROTOR CP	1	
207	FJ50223000	AVR CP	1	
208	36A2030008	BRUSH CP	1	
209	36D2200008	BRACKET 1	1	
210	36C2210008	GEN BRACKET N	1	
211	36C2220008	GEN BRACKET 2	1	
212	36C2300008	BRACKET COVER	1	
213	FJ40583000	BUSHING	1	
214	FJ80303000	STATOR BOLT	4	
215	FJ80292000	FLANGE BOLT	4	
216	FJ80306000	FLANGE BOLT M5-20	2	
217	FJ80307000	SCREW & WASHER AY	1	
218	FJ80308000	FLANGE BOLT M5-16	4	
219	FJ50389000	DIODE CP	1	
220	FJ80289000	FLANGE BOLT M4-18	1	
221	FJ40586000	TUBE	1	
222	FJ40584000	GROMMET	1	
223	FJ50399000	CONNECTOR(6P)	1	
224	FJ50398000	CONNECTOR(4P)	1	
225	FJ50397000	CONNECTOR(2P)	1	
226	FJ72009000	WIRE(GREEN)	1	
227	FJ71988000	WIRE(WHITE)	1	
228	FJ80309000	SCREW M8-20	4	
229	FJ80297000	ROTOR BOLT	1	
230	FJ40594000	SPONGE(FILTER)	1	
231	FJ40592000	SPONGE	2	
232	FJ72010000	CONNECTOR ASSY	1	
233	FJ31638000	PIPE FRAME CP	1	
234	FJ31667000	MUFFLER COVER INSID	1	
235	FJ31668000	MUFFLER COVER OUTSI	1	
236	FJ31669000	MUFFLER COVER	1	
237	FJ31659000	MUFFLER	1	
238	FJ31684000	MOUNT BASE	2	
239	FJ80292000	FLANGE BOLT	2	
240	FJ80291000	FLANGE BOLT M6-12	13	
241	FJ40590000	MOUNT CP	2	
242	FJ40591000	MOUNT CP	2	



Model No: EG602AE

ID	Part No	Name	Qty	Notes
243	FJ80314000	FLANGE NUT M8	4	
244	FJ80317000	FLANGE NUT M10	6	
245	FJ80318000	FLANGE BOLT M10-20	2	
246	FJ80319000	FLANGE BOLT M10-40	2	
247	FJ72012000	WIRE(GREEN/YELLOW)	1	
248	FJ80344000	WASHER M10	1	
249	FJ80316000	LOCK WASHER M6	1	
250	FJ40578000	CONTROL BOX CP	1	
251	FJ40599000	GROMMET	1	
252	FJ80325000	SCREW M4-12	6	
253	FJ80326000	WASHER M4	6	
254	FJ40596000	MOUNT CP	1	
255	FJ80291000	FLANGE BOLT M6-12	4	
256	FJ31838000	CONTROL PANEL	1	
257	FJ61790000	LABEL EG602AE	1	
258	0660000330	KEY SWITCH ASS'Y	1	
259	0660009980	KEY(2PCS)	2	
260	FJ50452000	AC CONCENT(AUSTRALIA)	2	
261	FJ50455000	BREAKER (20A)	1	
262	FJ50088000	DC CONCENT	1	
263	FJ50384000	BREAKER(10A)	1	
264	FJ50386000	VOLT METER	1	
265	FJ80330000	SCREW M5-25	1	
266	FJ80331000	LOCK WASHER M5	1	
267	FJ80329000	FLANGE NUT M5	1	
268	FJ80332000	WASHER	1	
269	FJ80333000	WASHER M5	1	
270	FJ80334000	SPRING WASHER M5	1	
271	FJ80335000	WINGNUT M5	1	
272	FJ80346000	SCREW M4-12	8	
273	FJ80327000	FLANGE NUT M4	9	
274	FJ80328000	FLANGE NUT M3	2	
275	FJ80348000	SCREW M4-8	2	
276	FJ50402000	CONNECTOR DJ706	1	
277	FJ50400000	CONNECTOR DJ702	1	
278	FJ50389000	DIODE CP	1	
279	FJ80345000	SCREW	1	
280	FJ31630010	FUEL TANK	1	
281	FJ31673000	FUEL CAP	1	
282	FJ40580000	FUEL STRAINER	1	
283	FJ31674000	FUEL GAUGE	1	
284	FJ80293000	SCREW M5-12	2	
285	FJ80311000	SPACER	4	
286	FJ40587000	TANK MOUNTING RUBBER	4	
287	FJ10135000	FUEL COCK	1	
288	FJ61643000	FUEL GAUGE LABEL	1	
289	FJ61644000	FUEL GAUGE LABEL	1	
290	FJ80312000	FLANG BOLT M6-25	4	
291	FJ80313000	WASHER M6	4	



Model No: EG602AE

ID	Part No	Name	Qty	Notes
292	FJ40595000	CORRUGATED	1	
293	FJ71968000	WIRE(WHITE)	1	
294	FJ71969000	WIRE(WHITE)	1	
295	FJ71970000	WIRE(BLACK)	1	
296	FJ71982000	WIRE(BLUE)	2	
297	FJ71983000	WIRE(GREEN)	1	
298	FJ71984000	WIRE(GRAY)	1	
299	FJ71985000	WIRE(BLACK)	1	
300	FJ71986000	WIRE(ORANGE)	1	
301	FJ71987000	WIRE(RED)	1	
302	FJ72147000	WIRE (RED)	2	
303	FJ72148000	WIRE (RED)	1	
304	FJ72152000	WIRE (GREEN)	1	
305	FJ72282000	WIRE (GREEN)	1	
306	FJ72283000	WIRE (BLUE)	1	
307	FJ72284000	WIRE (BLUE)	1	
308	FJ72285000	WIRE (RED)	2	
309	FJ61800000	LABEL (SPEC)	1	
310	FJ61641000	LABEL(TRADE MARK)	1	
311	FJ61647000	LABEL(HOT & GAS)	1	
312	FJ61646000	LABEL(SYMBOL-TANK)	1	
313	FJ61645000	LABEL(FUEL_COCK)	1	
314	FJ31686000	BATTERY FRAME 1 CP	2	
315	FJ31689000	SETTING PLATE CP	1	
316	FJ80324000	SETTING BOLT	2	
317	FJ80320000	FLANGE NUT M6	2	
318	FJ80321000	FLANGE BOLT M8-16	4	
319	FJ80322000	FLANGE NUT M8	8	
320	FJ80323000	FLANGE BOLT M8-35	8	
321	FJ31687000	BATTERY PLATE CP	1	
322	FJ31688000	PROTECTION PLATE	1	
323	FJ72014000	STARTER CABLE(RED)	1	
324	FJ72015000	EARTH CABLE(BLACK)	1	
325	FJ80317000	FLANGE NUT M10	1	
326	FJ80319000	FLANGE BOLT M10-40	1	
327	FJ40604000	TUBE	1	
1001	2249030300	ACCESSORY TOOLS KIT	1	
1002	FJ50451000	BATTERY CABLE	1	