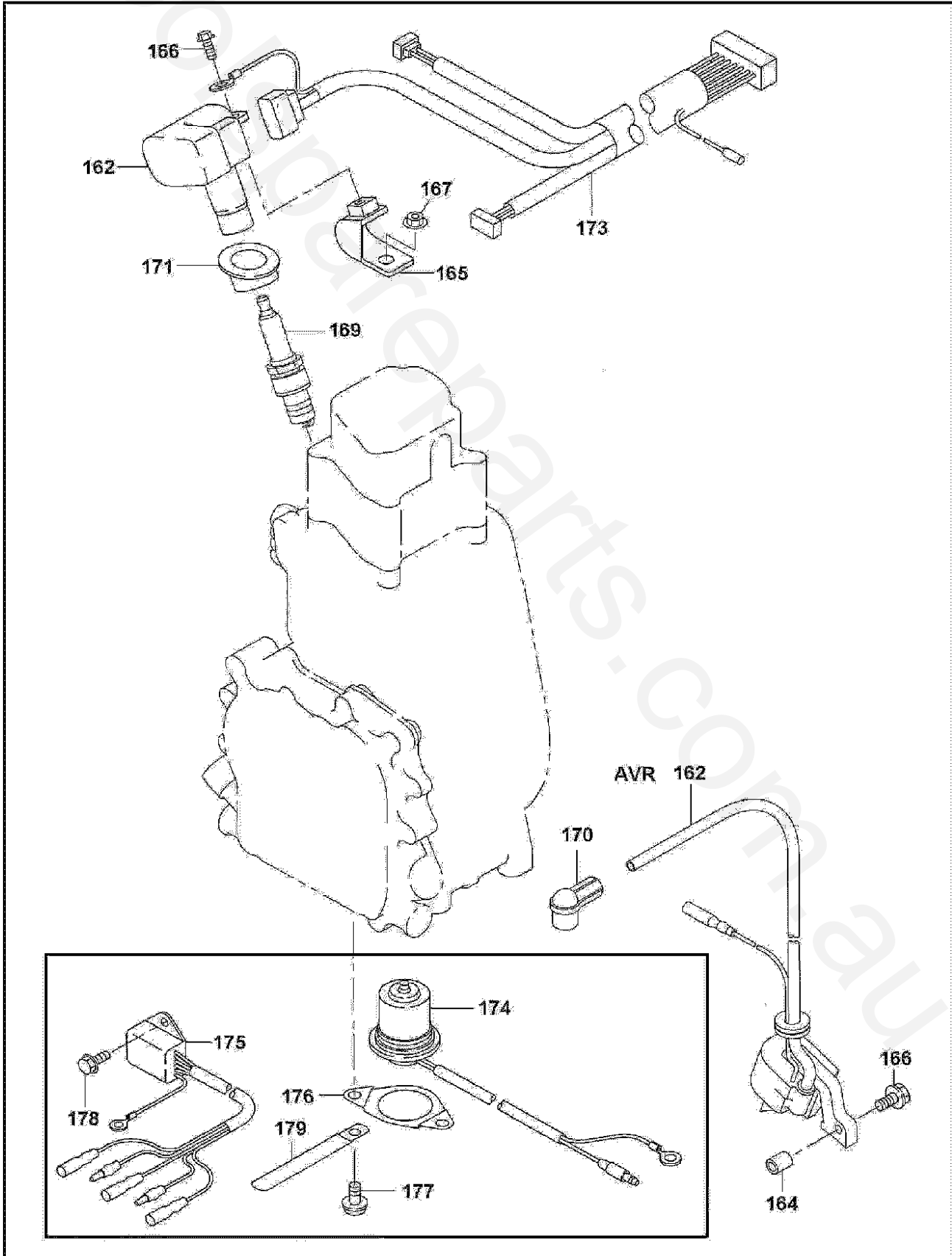


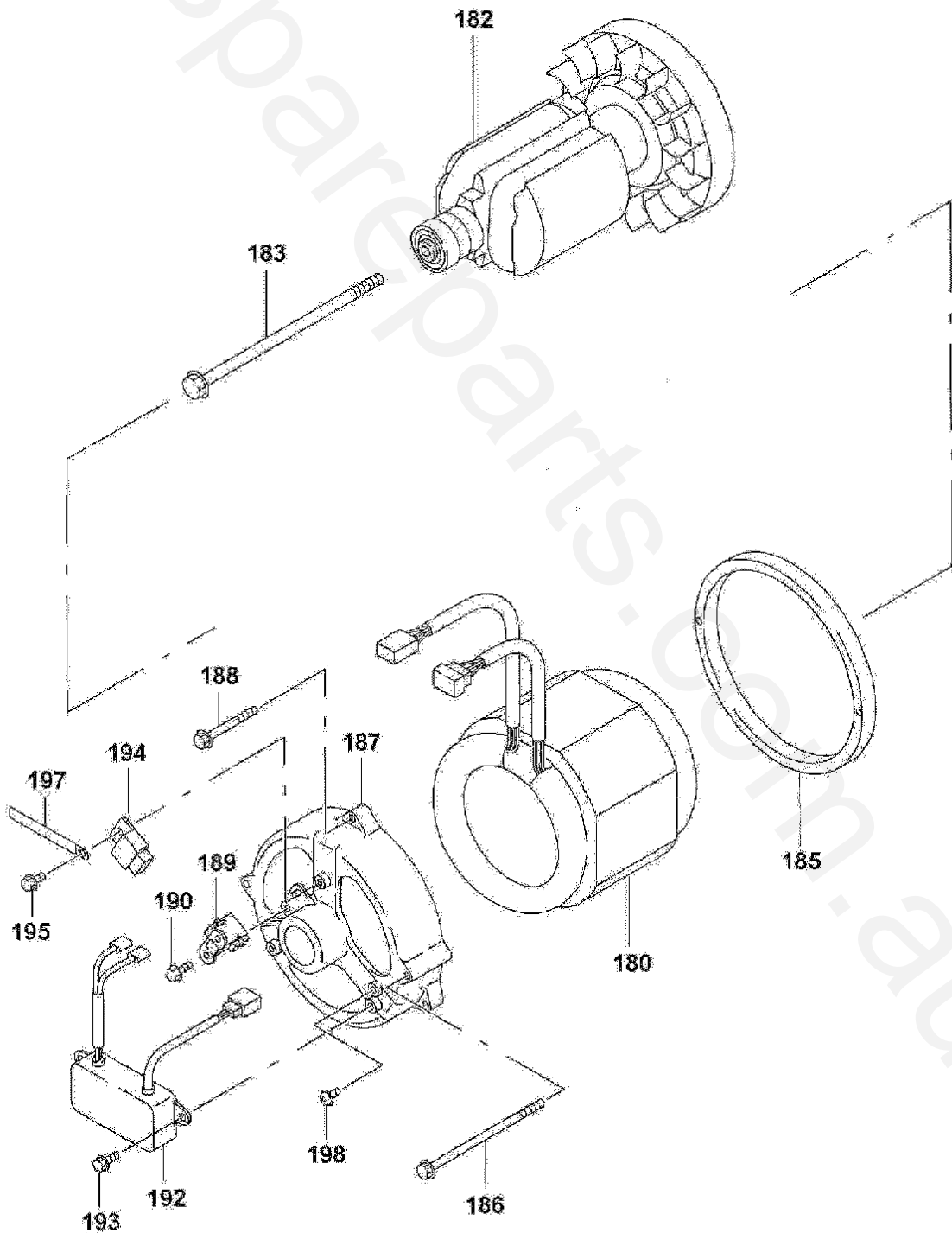


G1100

7/13



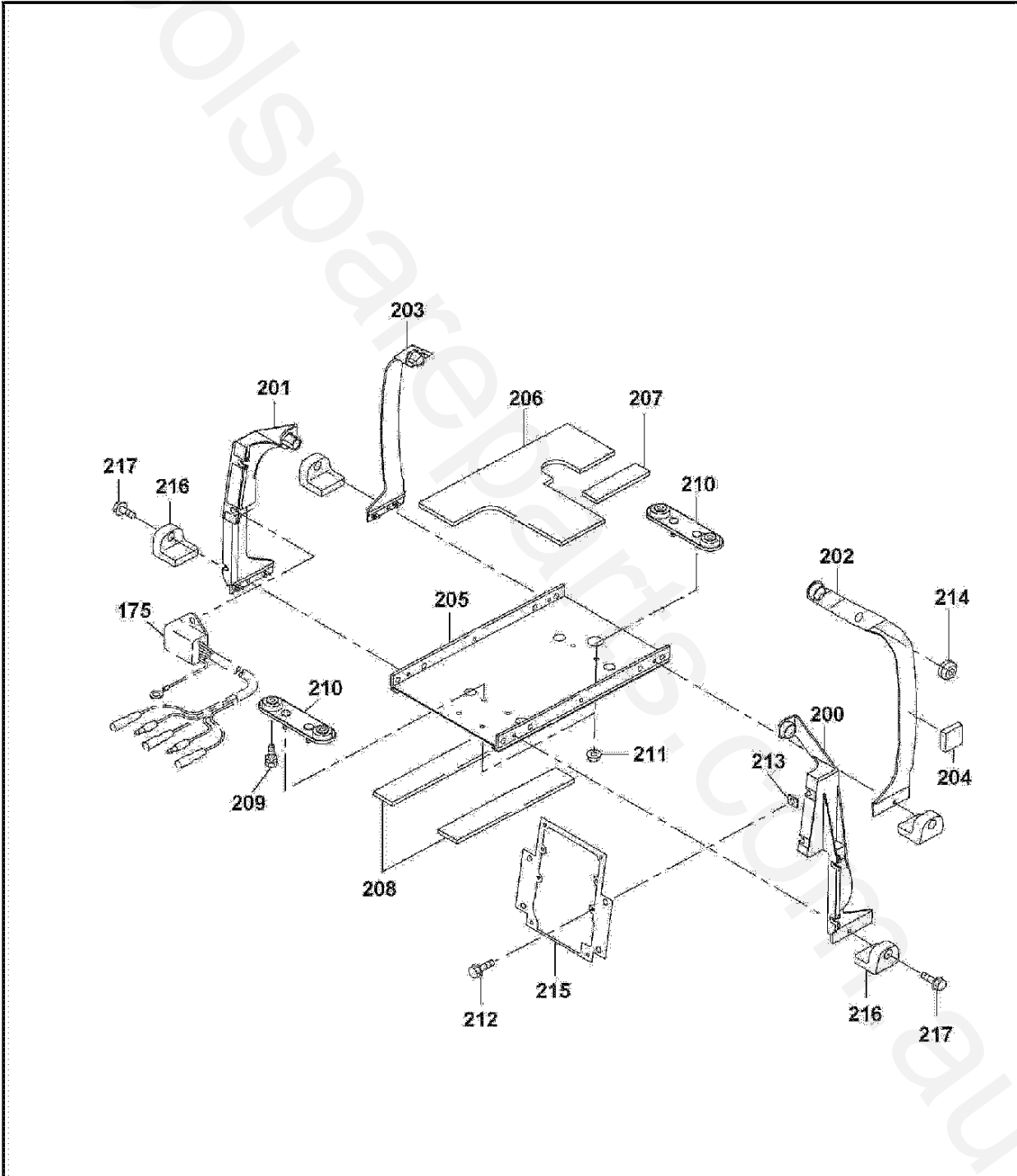
AVR type

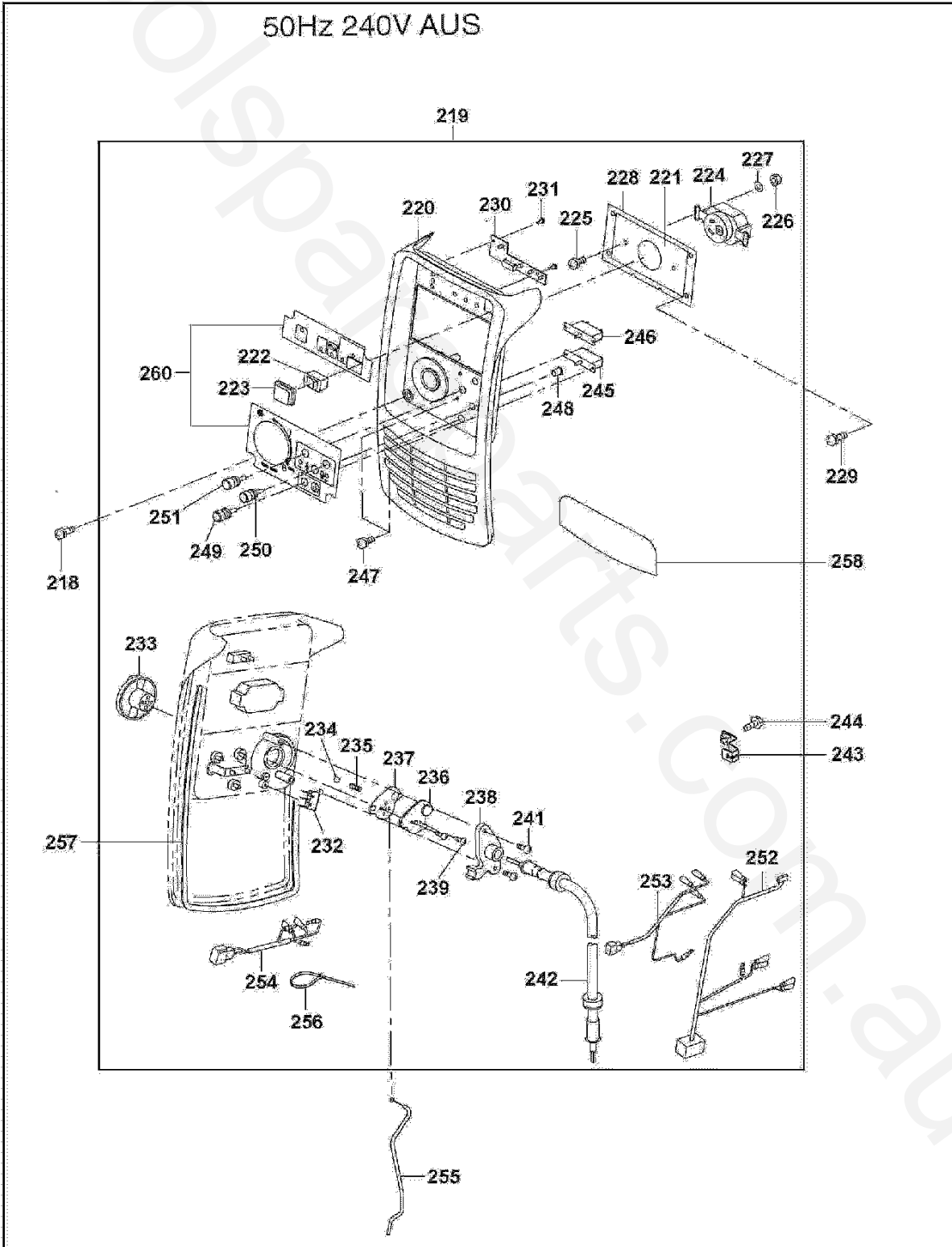


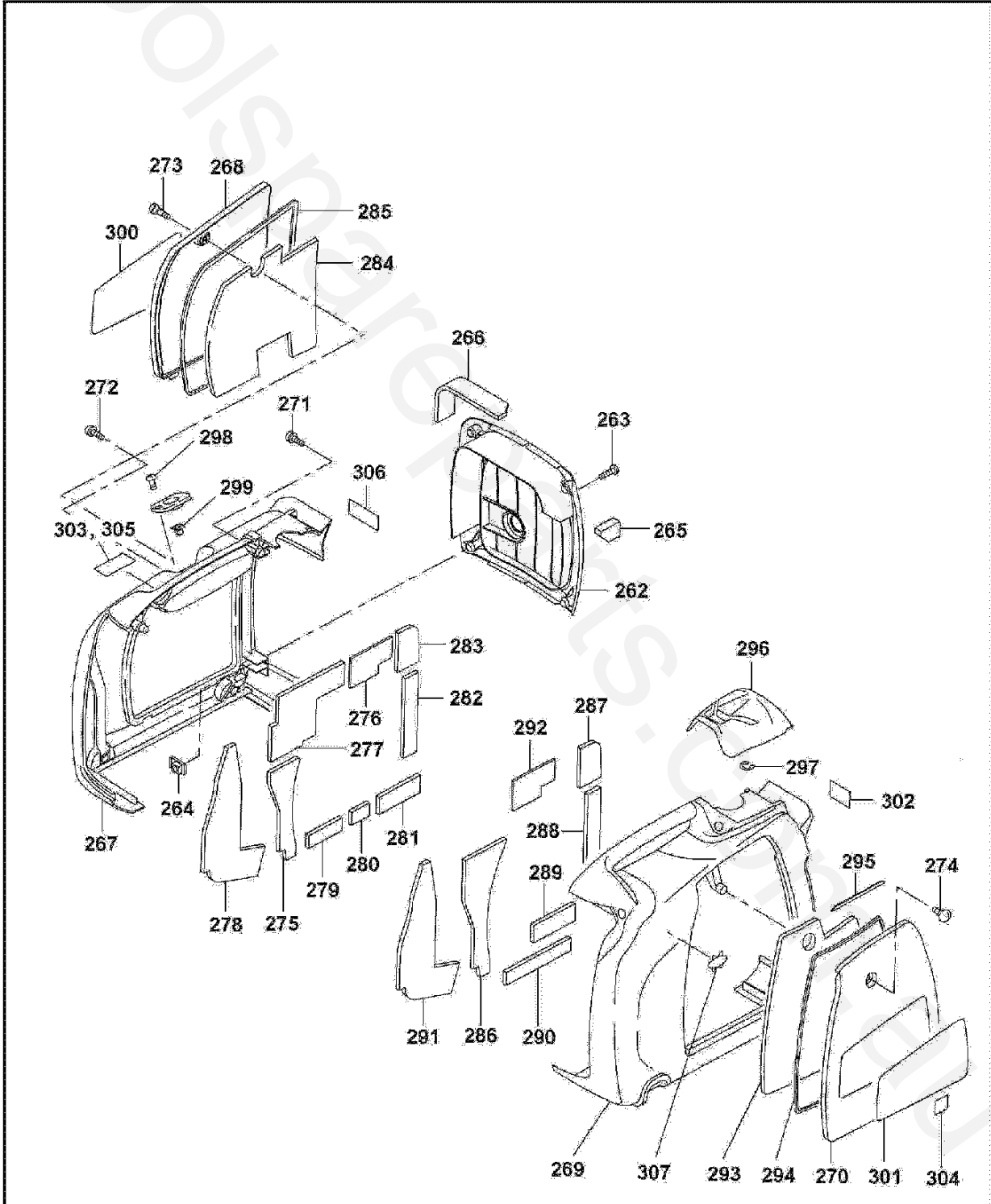


G1100,G1700I

9/13



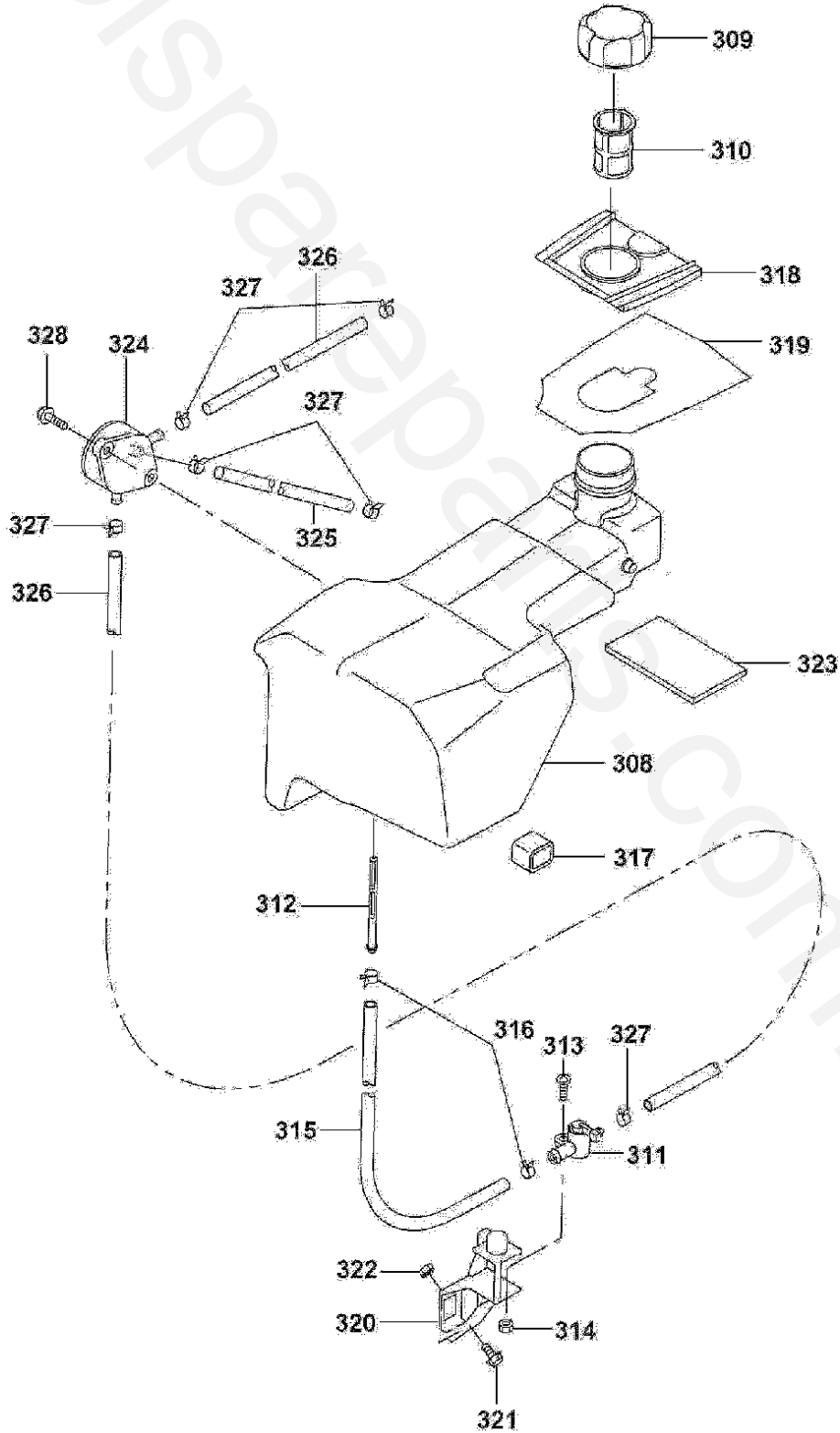






G1100,G1700I

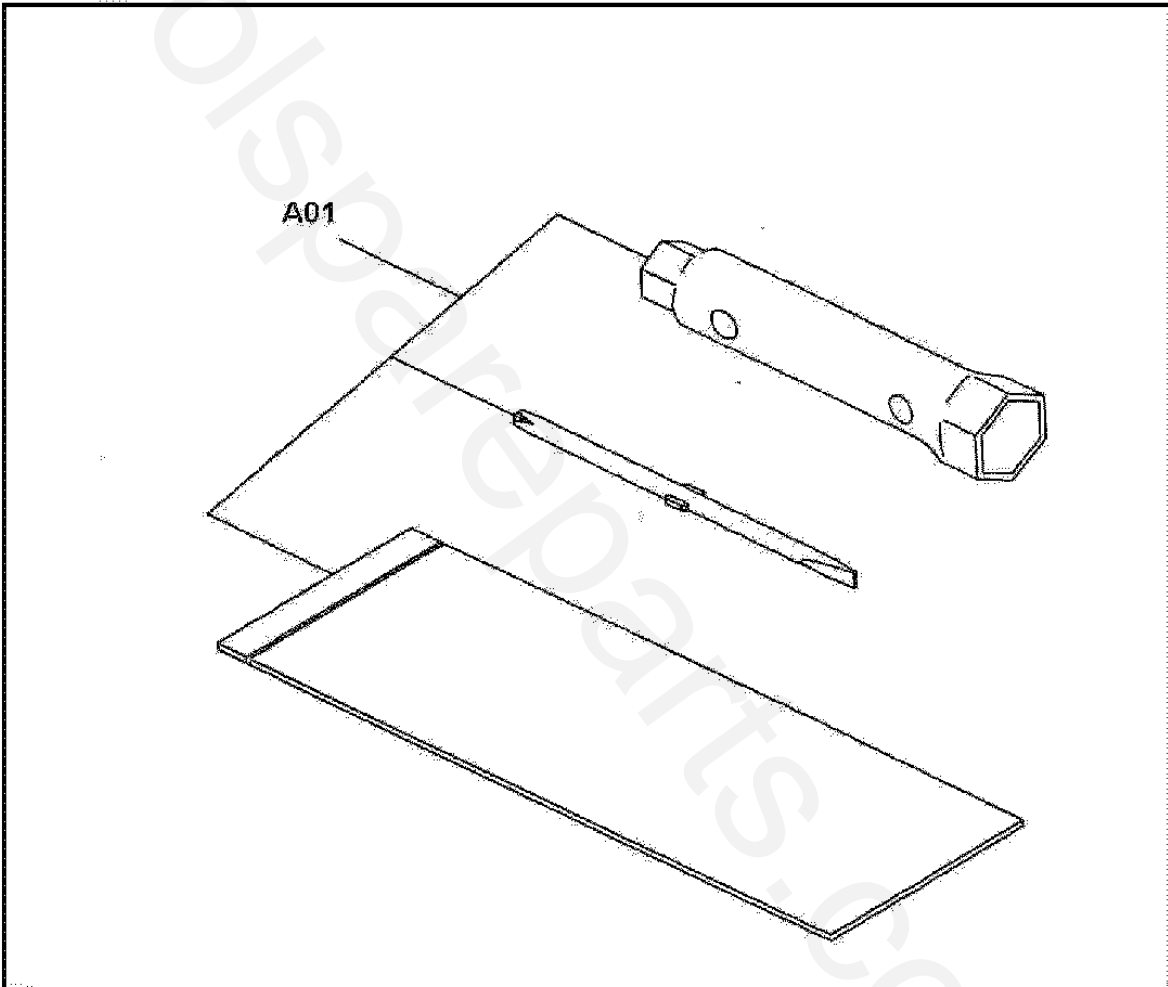
12/13





G1100,G1700I

13/13



Parts List

| ID | Part No | Name | Qty | Notes |
|----|------------|----------------------------|-----|-------------------------------------|
| 1 | 2841010301 | CRANKCASE COMPLETE | 1 | |
| 2 | 2371420203 | VALVE GUIDE (OVERSIZE) | 2 | |
| 3 | 2771601001 | STEM SEAL | 1 | |
| 4 | 0440200070 | OIL SEAL 20X32X6 | 1 | |
| 5 | 0600200140 | BALL BEARING | 1 | |
| 6 | 0310060020 | DOWEL PIN | 2 | |
| 7 | 0105060420 | STUD | 2 | |
| 8 | 0440060020 | OIL SEAL 6DX10DX2.5B | 1 | |
| 9 | 0401140030 | PLUG | 1 | |
| 10 | 0211140020 | GASKET | 1 | |
| 11 | *** | *** | *** | Click for Technical Bulletin Y04447 |
| 12 | 2301710203 | PLUG(RUBBER) | 1 | |
| 13 | 0600200140 | BALL BEARING | 1 | |
| 14 | 2844500301 | GOVERNOR GEAR COMPLETE | 1 | |
| 15 | 2054190103 | GOVERNOR SLEEVE | 1 | |
| 16 | *** | *** | *** | Click for Technical Bulletin Y05311 |
| 17 | *** | *** | *** | Click for Technical Bulletin Y05334 |
| 18 | 2841600303 | GASKET(BEARING COVER) | 1 | |
| 19 | 0110060101 | FLANGE BOLT | 8 | |
| 20 | *** | *** | *** | Click for Technical Bulletin Y06012 |
| 21 | *** | *** | *** | Click for Technical Bulletin Y04447 |
| 22 | *** | *** | *** | Click for Technical Bulletin Y04447 |
| 23 | 0110080301 | FLANGE BOLT | 1 | |
| 24 | 2841550103 | ROCKER COVER | 1 | |
| 25 | *** | *** | *** | Click for Technical Bulletin Y05325 |
| 26 | 2771501103 | PIPE KNOCK 10.3DX8.5DX14L | 2 | |
| 27 | 0110060420 | FLANGE BOLT | 4 | |
| 28 | 2841430101 | BREATHER COVER COMPLETE | 1 | |
| 29 | 2841440101 | BREATHER PLATE COMPLETE | 1 | |
| 30 | *** | *** | *** | Click for Technical Bulletin Y06586 |
| 31 | 2301600703 | GASKET | 1 | |
| 32 | 0110060020 | FLANGE BOLT M6X1.0X14DX12L | 2 | |
| 33 | 33K5831703 | SPONGE CRANK | 1 | |
| 34 | *** | *** | *** | Click for Technical Bulletin Y06586 |
| 35 | *** | *** | *** | Click for Technical Bulletin Y04617 |
| 36 | 0310040010 | DOWEL PIN | 1 | |
| 37 | *** | *** | *** | Click for Technical Bulletin |
| 38 | 0200080030 | WASHER | 1 | |
| 39 | *** | *** | *** | Click for Technical Bulletin Y04506 |
| 40 | *** | *** | *** | Click for Technical Bulletin Y05764 |
| 41 | 2842300103 | CONNECTING ROD BOLT | 2 | |
| 42 | 2302330103 | PISTON PIN | 1 | |
| 43 | *** | *** | *** | Click for Technical Bulletin Y06116 |
| 44 | *** | *** | *** | Click for Technical Bulletin Y05906 |
| 45 | 0565110010 | CLIP | 2 | |
| 46 | 2843170111 | CAMSHAFT COMPLETE | 1 | |



Model No: G1100

| ID | Part No | Name | Qty | Notes |
|----|------------|----------------------------|-----|-------------------------------------|
| 47 | 2273860123 | PIN 3.8DX7.5DX14L | 1 | |
| 48 | 2843640103 | RELEASE LEVER | 1 | |
| 49 | 0051904100 | SPRING PIN | 1 | |
| 50 | *** | *** | *** | Click for Technical Bulletin Y06584 |
| 51 | 2743870123 | RETURN SPRING | 1 | |
| 52 | 2743330103 | TAPPET | 2 | |
| 53 | 2743360103 | VALVE SPRING | 2 | |
| 54 | 2743370203 | SPRING RETAINER | 2 | |
| 55 | *** | *** | *** | Click for Technical Bulletin Y06459 |
| 56 | *** | *** | *** | Click for Technical Bulletin Y05196 |
| 57 | 13210KA031 | COLLET VALVE | 4 | |
| 58 | 2743530103 | PUSH ROD | 2 | |
| 59 | *** | *** | *** | Click for Technical Bulletin Y06022 |
| 60 | 2693580103 | BOLT (PIVOT) | 2 | |
| 61 | 0170060090 | 601106X0.75X5.1H | 2 | |
| 62 | 2743650103 | GUIDE PLATE | 1 | |
| 63 | *** | *** | *** | Click for Technical Bulletin Y04938 |
| 64 | 2693760101 | SPARK ARRESTER COMPLETE | 1 | |
| 65 | 0150040060 | TAPPING SCREW M4X6L | 1 | |
| 66 | 2303520401 | GASKET COMPLETE(EXHAUST) | 2 | |
| 67 | *** | *** | *** | Click for Technical Bulletin Y04447 |
| 68 | 0110080110 | FLANGE BOLT M8X1.25X80L | 1 | |
| 69 | *** | *** | *** | Click for Technical Bulletin Y05324 |
| 70 | *** | *** | *** | Click for Technical Bulletin Y04447 |
| 71 | 2843263000 | AIR CLEANER ASS'Y | 1 | |
| 72 | 2273600413 | GASKET | 1 | |
| 73 | 2843263108 | ELEMENT | 1 | |
| 74 | 2843290303 | INSULATOR | 1 | |
| 75 | *** | *** | *** | Click for Technical Bulletin Y04447 |
| 76 | *** | *** | *** | Click for Technical Bulletin Y05057 |
| 77 | 0023806000 | FLANGE NUT M6 | 2 | |
| 78 | 0110060180 | FLANGE BOLT M6X1.0X14DX18L | 1 | |
| 79 | 2843210103 | DUCT | 1 | |
| 80 | 0851080000 | RUBBER PIPE (8DX11D) | 1 | |
| 81 | *** | *** | *** | Click for Technical Bulletin Y04447 |
| 82 | *** | *** | *** | Click for Technical Bulletin Y04447 |
| 83 | *** | *** | *** | Click for Technical Bulletin Y04448 |
| 84 | 2304220103 | GOVERNOR SHAFT | 1 | |
| 85 | *** | *** | *** | Click for Technical Bulletin Y04448 |
| 86 | *** | *** | *** | Click for Technical Bulletin Y04448 |
| 87 | 0031305000 | CLIP | 2 | |
| 88 | 0011406250 | BOLT & WASHER ASS'Y | 1 | |
| 89 | 0186060020 | NUT M6X1.0X4.9H | 1 | |
| 90 | *** | *** | *** | Click for Technical Bulletin Y04448 |
| 91 | 2844620000 | CONTROL BRACKET | 1 | |
| 92 | 0110060010 | FLANGE BOLT M6X1.0X14DX8L | 2 | |
| 93 | *** | *** | *** | Click for Technical Bulletin Y04448 |
| 94 | 2304900201 | ADJUSTING NUT | 1 | |
| 95 | 2845120103 | BLOWER HOUSING | 1 | |



Model No: G1100

| ID | Part No | Name | Qty | Notes |
|-----|------------|--------------------------|-----|-------------------------------------|
| 96 | 2845550103 | GROMMET | 1 | |
| 97 | 0110080160 | FLANGE BOLT | 1 | |
| 98 | 0110080302 | FLANGE BOLT | 3 | |
| 99 | 2845360101 | CYLINDER BAFFLE COMPLETE | 1 | |
| 100 | *** | *** | *** | Click for Technical Bulletin Y04553 |
| 101 | *** | *** | *** | Click for Technical Bulletin Y04447 |
| 103 | 0566000260 | CLAMP | 1 | |
| 104 | *** | *** | *** | Click for Technical Bulletin Y05648 |
| 105 | 2845022408 | SPIRAL SPRING | 1 | |
| 106 | 2845022208 | REEL | 1 | |
| 107 | 2845023308 | ROPE | 1 | |
| 108 | *** | *** | *** | Click for Technical Bulletin Y05648 |
| 109 | 2845022308 | RACHET | 1 | |
| 110 | 2845022608 | FRICITION SPRING | 1 | |
| 111 | 2845022708 | RETURN SPRING | 1 | |
| 112 | *** | *** | *** | Click for Technical Bulletin Y05014 |
| 113 | 2845023108 | RETAINING RING C TYP | 1 | |
| 114 | 2845610103 | ROPE GUIDE | 1 | |
| 115 | 33K5300103 | GUIDE COMPLETE | 1 | |
| 116 | 2845022908 | RETAINING RING E TYP | 1 | |
| 117 | 2845022808 | RACHET GUIDE | 1 | |
| 118 | 0110060140 | FLANGE BOLT M6X18L | 3 | |
| 119 | 34K4010203 | SEAL PLATE 45X120X2 | 2 | |
| 120 | *** | *** | *** | Click for Technical Bulletin Y04447 |
| 121 | *** | *** | *** | Click for Technical Bulletin Y05326 |
| 122 | 2845360503 | SEAL RUBBER | 1 | |
| 123 | *** | *** | *** | Click for Technical Bulletin Y06257 |
| 124 | *** | *** | *** | Click for Technical Bulletin Y06005 |
| 125 | *** | *** | *** | Click for Technical Bulletin Y06005 |
| 126 | 2846252508 | CHOKE VALVE | 1 | |
| 127 | *** | *** | *** | Click for Technical Bulletin Y06005 |
| 128 | *** | *** | *** | Click for Technical Bulletin Y06005 |
| 129 | *** | *** | *** | Click for Technical Bulletin Y06005 |
| 130 | *** | *** | *** | Click for Technical Bulletin Y06005 |
| 131 | *** | *** | *** | Click for Technical Bulletin Y06005 |
| 132 | *** | *** | *** | Click for Technical Bulletin Y06005 |
| 133 | *** | *** | *** | Click for Technical Bulletin Y06005 |
| 134 | *** | *** | *** | Click for Technical Bulletin Y06005 |
| 135 | *** | *** | *** | Click for Technical Bulletin Y06005 |
| 136 | *** | *** | *** | Click for Technical Bulletin Y06005 |
| 137 | *** | *** | *** | Click for Technical Bulletin Y06005 |
| 138 | *** | *** | *** | Click for Technical Bulletin Y06005 |
| 139 | *** | *** | *** | Click for Technical Bulletin Y06005 |
| 140 | *** | *** | *** | Click for Technical Bulletin Y06005 |
| 141 | 2846256508 | VINYL PIPE | 1 | |
| 142 | *** | *** | *** | Click for Technical Bulletin Y06005 |
| 143 | *** | *** | *** | Click for Technical Bulletin Y06005 |
| 144 | *** | *** | *** | Click for Technical Bulletin Y06005 |
| 145 | *** | *** | *** | Click for Technical Bulletin Y06005 |



Model No: G1100

| ID | Part No | Name | Qty | Notes |
|-----|------------|----------------------------|-----|-------------------------------------|
| 146 | *** | *** | *** | Click for Technical Bulletin Y06005 |
| 147 | 2846231508 | SPRING(THROTTLE) | 1 | |
| 148 | 2846245108 | O RING | 1 | |
| 149 | *** | *** | *** | Click for Technical Bulletin Y06005 |
| 150 | 2846257108 | STOPPER PLATE | 1 | |
| 151 | *** | *** | *** | Click for Technical Bulletin Y06005 |
| 152 | *** | *** | *** | Click for Technical Bulletin Y06005 |
| 153 | 2846258008 | MOTOR | 1 | |
| 154 | 2846257608 | BRACKET(MOTOR) | 1 | |
| 155 | 2846245808 | SCREW | 2 | |
| 156 | 2846245708 | SCREW | 2 | |
| 157 | 2846255508 | JOINT LEVER | 1 | |
| 158 | 2846244608 | SPRING | 1 | |
| 159 | 2846257508 | BRACKET | 1 | |
| 160 | *** | *** | *** | Click for Technical Bulletin Y06005 |
| 162 | *** | *** | *** | Click for Technical Bulletin Y04448 |
| 164 | 0230060360 | SPACER | 2 | |
| 165 | 2847956103 | IGNITION COIL BRACKET | 1 | |
| 166 | 0011406450 | BOLT AND WASHER ASSY | 2 | |
| 167 | 0023808000 | FLANGE NUT | 1 | |
| 169 | 0650140380 | SPARK PLUG NGK BMR4A | 1 | |
| 170 | 0655000051 | SPARK PLUG CAP | 1 | |
| 171 | 2847550103 | GROMMET, PLUG | 1 | |
| 173 | 34K2110103 | ENGINE HARNESS | 1 | |
| 174 | 2307630111 | OIL SENSOR | 1 | |
| 175 | *** | *** | *** | Click for Technical Bulletin Y04448 |
| 176 | 2307580103 | SENSOR RETAINER | 1 | |
| 177 | 0043506100 | SCREW & WASHER ASS'Y | 2 | |
| 178 | 0110060020 | FLANGE BOLT M6X1.0X14DX12L | 1 | |
| 179 | 2267510103 | CLAMP | 1 | |
| 180 | 33K2185108 | STATOR COMPLETE | 1 | |
| 182 | 33K2090208 | ROTOR COMPLETE | 1 | |
| 183 | 33K2090608 | BOLT | 1 | |
| 185 | 33K2090703 | RING | 1 | |
| 186 | 33K2090508 | FLANGE BOLT | 2 | |
| 187 | 33K2090308 | REAR COVER | 1 | |
| 188 | 33K2090408 | FLANGE BOLT | 3 | |
| 189 | 32B2310101 | BRUSH COMPLETE | 1 | |
| 190 | 32B2105108 | SCREW | 1 | |
| 192 | 32B2300100 | AVR ASS'Y | 1 | |
| 193 | 32B2105108 | SCREW | 2 | |
| 194 | 32B2312101 | DIODE STACK | 1 | |
| 195 | 32B2105208 | SCREW | 4 | |
| 197 | 32D2106008 | CLAMP | 3 | |
| 198 | 32B2105308 | SCREW | 1 | |
| 200 | 33K3710103 | FRONT FRAME(R) | 1 | |
| 201 | 33K3720103 | FRONT FRAME(L) | 1 | |
| 202 | 33K3730103 | REAR FRAME(R) | 1 | |
| 203 | 33K3740103 | REAR FRAME(L) | 1 | |



Model No: G1100

| ID | Part No | Name | Qty | Notes |
|-----|------------|-----------------------------|-----|-------------------------------------|
| 204 | 33K5841303 | SPONGE REAR FRAME 35X35X10 | 1 | |
| 205 | *** | *** | *** | Click for Technical Bulletin Y04448 |
| 206 | 33K5831003 | SPONGE BASE | 1 | |
| 207 | 33K5831103 | SPONGE BASE 2 30X110X20 | 1 | |
| 208 | 33K5832003 | SPONGE BASE 3 40X240X1.5 | 2 | |
| 209 | 0011408200 | BOLT & WASHER ASS'Y | 4 | |
| 210 | 33K3010101 | MOUNT BASE COMPLETE | 2 | |
| 211 | 0023806000 | FLANGE NUT M6 | 4 | |
| 212 | 0110060020 | FLANGE BOLT M6X1.0X14DX12L | 4 | |
| 213 | 33K3800103 | NUT | 8 | |
| 214 | 33K3800503 | GROMMET(REAR FRAME) | 2 | |
| 215 | 33K3760103 | BACK PANEL COMPLETE | 1 | |
| 216 | 33K3610101 | MOUNT COMPLETE | 4 | |
| 217 | 0110060180 | FLANGE BOLT M6X1.0X14DX18L | 4 | |
| 218 | 0140050100 | SCREW | 4 | |
| 219 | *** | *** | *** | Click for Technical Bulletin Y04448 |
| 220 | *** | *** | *** | Click for Technical Bulletin Y05319 |
| 221 | 33K4890403 | FILM | 1 | |
| 222 | *** | *** | *** | Click for Technical Bulletin Y05238 |
| 223 | 33K4181003 | SWITCH COVER | 1 | |
| 224 | 3584061308 | AC RECEPTACLE F/SAA(3P)PLUG | 1 | |
| 225 | 0043504100 | SCREW & WASHER ASS'Y | 2 | |
| 226 | 0021704000 | NUT | 2 | |
| 227 | 0031004000 | WASHER | 2 | |
| 228 | *** | *** | *** | Click for Technical Bulletin Y04447 |
| 229 | 0131040060 | SCREW AND WASHER ASS'Y | 4 | |
| 230 | *** | *** | *** | Click for Technical Bulletin Y04448 |
| 231 | 0150030020 | TAPPING SCREW | 2 | |
| 232 | *** | *** | *** | Click for Technical Bulletin Y06215 |
| 233 | 33K4201003 | CONTROL DIAL | 1 | |
| 234 | 33K4207103 | BALL(DIAL) | 1 | |
| 235 | *** | *** | *** | Click for Technical Bulletin Y04479 |
| 236 | 33K4202003 | CHOKE REEL | 1 | |
| 237 | *** | *** | *** | Click for Technical Bulletin Y04795 |
| 238 | 33K4204003 | WIRE PLATE | 1 | |
| 239 | *** | *** | *** | Click for Technical Bulletin Y04447 |
| 241 | *** | *** | *** | Click for Technical Bulletin Y04447 |
| 242 | *** | *** | *** | Click for Technical Bulletin Y04447 |
| 243 | 33K4208003 | CHOKE BRACKET | 1 | |
| 244 | 0110060010 | FLANGE BOLT M6X1.0X14DX8L | 1 | |
| 245 | 3524562008 | CIRCUIT BREAKER (DC) 10A | 1 | |
| 246 | 33K4183203 | CIRCUIT BREAKER | 1 | |
| 247 | 0131030010 | SCREW AND WASHER ASS'Y | 4 | |
| 248 | 33K4181703 | BREAKER CAP | 2 | |
| 249 | *** | *** | *** | Click for Technical Bulletin Y04447 |
| 250 | 3634570108 | TERMINAL BOLT (RED) | 1 | |
| 251 | 3634570008 | TERMINAL BOLT (BLACK) | 1 | |
| 252 | *** | *** | *** | Click for Technical Bulletin Y04448 |
| 253 | *** | *** | *** | Click for Technical Bulletin Y04448 |



Model No: G1100

| ID | Part No | Name | Qty | Notes |
|-----|------------|---------------------------|-----|-------------------------------------|
| 254 | *** | *** | *** | Click for Technical Bulletin Y04481 |
| 255 | *** | *** | *** | Click for Technical Bulletin Y04477 |
| 256 | 0563000020 | WIRE BAND | 4 | |
| 257 | 33K5841103 | SEAL SPONGE F 4.5X650X2.5 | 1 | |
| 258 | 33K9305003 | LABEL(FRONT) | 1 | |
| 260 | *** | *** | *** | Click for Technical Bulletin Y04448 |
| 262 | 33K5020103 | REAR COVER | 1 | |
| 263 | 0131060030 | SCREW AND WASHER ASS'Y | 4 | |
| 264 | *** | *** | *** | Click for Technical Bulletin Y04447 |
| 265 | *** | *** | *** | Click for Technical Bulletin Y04447 |
| 266 | *** | *** | *** | Click for Technical Bulletin Y04447 |
| 267 | *** | *** | *** | Click for Technical Bulletin Y06581 |
| 268 | *** | *** | *** | Click for Technical Bulletin Y06536 |
| 269 | *** | *** | *** | Click for Technical Bulletin Y06480 |
| 270 | *** | *** | *** | Click for Technical Bulletin Y06537 |
| 271 | 0043606250 | SCREW AND WASHER ASS'Y | 2 | |
| 272 | *** | *** | *** | Click for Technical Bulletin Y06584 |
| 273 | 33K5050103 | BOLT(PANEL) | 1 | |
| 274 | 33K5050103 | BOLT(PANEL) | 1 | |
| 275 | 33K5830103 | SPONGE CASE L | 1 | |
| 276 | 33K5830703 | SPONGE CASE L 5 | 1 | |
| 277 | *** | *** | *** | Click for Technical Bulletin Y04983 |
| 278 | *** | *** | *** | Click for Technical Bulletin Y04801 |
| 279 | 33K5830803 | SPONGE CASE L 6 35X102X20 | 1 | |
| 280 | 33K5830903 | SPONGE CASE L 7 35X55X20 | 1 | |
| 281 | 33K5840803 | SPONGE CASE R 6 125X47X10 | 1 | |
| 282 | 33K5840903 | SPONGE CASE R 7 217X40X10 | 1 | |
| 283 | 33K5830603 | SPONGE CASE L 4 | 1 | |
| 284 | 33K5830203 | SPONGE PANEL L | 1 | |
| 285 | 33K5830303 | SEAL SPONGE L 2.5X5X920 | 1 | |
| 286 | 33K5840103 | SPONGE CASE R | 1 | |
| 287 | 33K5840603 | SPONGE CASE R 4 | 1 | |
| 288 | 33K5840903 | SPONGE CASE R 7 217X40X10 | 1 | |
| 289 | 33K5840803 | SPONGE CASE R 6 125X47X10 | 1 | |
| 290 | 33K5840703 | SPONGE CASE R 5 35X194X20 | 1 | |
| 291 | 33K5840403 | SPONGE CASE R 2 | 1 | |
| 292 | *** | *** | *** | Click for Technical Bulletin Y04983 |
| 293 | 33K5840203 | SPONGE PANEL R | 1 | |
| 294 | 33K5840303 | SEAL SPONGE R 2.5X5X860 | 1 | |
| 295 | 33K5841003 | SEAL SPONGE R 2 | 1 | |
| 296 | *** | *** | *** | Click for Technical Bulletin Y04447 |
| 297 | 0031306000 | CLIP | 1 | |
| 298 | 0150040090 | TAPPING SCREW 4X12 | 1 | |
| 299 | 33K5300203 | SCREW GROMMET | 1 | |
| 300 | *** | *** | *** | Click for Technical Bulletin Y04448 |
| 301 | *** | *** | *** | Click for Technical Bulletin Y04448 |
| 302 | *** | *** | *** | Click for Technical Bulletin Y04448 |
| 303 | *** | *** | *** | Click for Technical Bulletin Y04447 |
| 304 | 0732004520 | OIL CAUTION LABEL | 1 | |



Model No: G1100

| ID | Part No | Name | Qty | Notes |
|-----|------------|-----------------------------|-----|-------------------------------------|
| 305 | 0732004510 | LABEL(SYMBOL-TANK) | 1 | |
| 306 | 0732004500 | LABEL(HOT&GAS) | 1 | |
| 307 | 34K9211003 | LABEL E-CON | 1 | |
| 308 | *** | *** | *** | Click for Technical Bulletin Y05461 |
| 309 | *** | *** | *** | Click for Technical Bulletin Y04549 |
| 310 | *** | *** | *** | Click for Technical Bulletin Y04447 |
| 311 | *** | *** | *** | Click for Technical Bulletin Y04447 |
| 312 | *** | *** | *** | Click for Technical Bulletin Y06092 |
| 313 | 0043605120 | SCREW ASS'Y M5X12 | 1 | |
| 314 | *** | *** | *** | Click for Technical Bulletin Y06152 |
| 315 | 33K6225003 | RUBBER PIPE | 1 | |
| 316 | 0561130010 | HOSE CLAMP 13D | 2 | |
| 317 | 33K6410103 | TANK MOUNT | 2 | |
| 318 | *** | *** | *** | Click for Technical Bulletin Y04447 |
| 319 | 33K6420103 | NECK RUBBER 2 | 1 | |
| 320 | 33K6300203 | FUEL COCK BRACKET | 1 | |
| 321 | *** | *** | *** | Click for Technical Bulletin Y04447 |
| 322 | *** | *** | *** | Click for Technical Bulletin Y04447 |
| 323 | *** | *** | *** | Click for Technical Bulletin Y04447 |
| 324 | 33K6220100 | FUEL PUMP COMPLETE | 1 | |
| 325 | 0851060000 | RUBBER PIPE (6DX12D) | 1 | |
| 326 | 0851060000 | RUBBER PIPE (6DX12D) | 2 | |
| 327 | *** | *** | *** | Click for Technical Bulletin Y04447 |
| 328 | 0150060020 | TAPPING SCREW | 2 | |
| 329 | 0100080420 | BOLT | 1 | |
| 330 | 0200080210 | WASHER | 1 | |
| 331 | 2843290401 | STAY BAFFLE COMPLETE | 1 | |
| 332 | 2774670103 | GASKET(CHOKE) | 1 | |
| 333 | 0230060370 | SPACER | 1 | |
| 334 | 2845360303 | CYLINDER BAFFLE (E/G) | 1 | |
| 335 | 2845360903 | SEAL SPONGE BAFFLE 2 | 1 | |
| 336 | 2845361003 | SEAL SPONGE BAFFLE 3 | 2 | |
| 337 | 33K5832303 | SPONGE BAFFLE 4 | 1 | |
| 338 | 2845360803 | SEAL SPONGE BAFFLE | 1 | |
| 339 | 0850930000 | VINYL PIPE (3.5DX5.5D) | 1 | |
| 340 | 0850930000 | VINYL PIPE (3.5DX5.5D) | 1 | |
| 341 | 0850930000 | VINYL PIPE (3.5DX5.5D) | 1 | |
| 342 | 2846710103 | Y CONNECTOR | 1 | |
| 343 | 0569000020 | PURSE LOCK ASS'Y | 1 | |
| 344 | 2847959111 | OIL SENSOR HARNESS COMPLETE | 1 | |
| 346 | 33K5832203 | REAR COVER SPONGE 3 | 1 | |
| 347 | 33K5832403 | REAR COVER SPONGE 4 | 1 | |
| 348 | 0131040091 | SCREW, WASHER AY | 1 | |
| 349 | 0180040000 | FLANGE NUT | 1 | |
| 351 | 0561100030 | HOSE CLAMP | 1 | |
| 352 | *** | *** | *** | Click for Technical Bulletin Y06005 |
| 394 | 2796235108 | SCREW | 1 | |
| 395 | 2306244608 | SPRING | 1 | |
| 396 | 2846253708 | PIPE | 1 | |



Model No: G1100

| ID | Part No | Name | Qty | Notes |
|------|------------|--------------------|-----|-------|
| 397 | 2346255008 | RING | 1 | |
| 398 | 2266255008 | RING | 1 | |
| 399 | 1296235608 | RING | 1 | |
| 400 | 2366244508 | SPRING | 1 | |
| 401 | 2096244508 | SPRING | 1 | |
| 1001 | 33K9900100 | ACCESSORY TOOL KIT | 1 | |