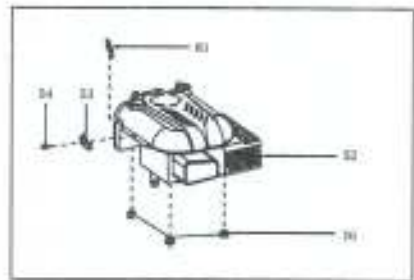
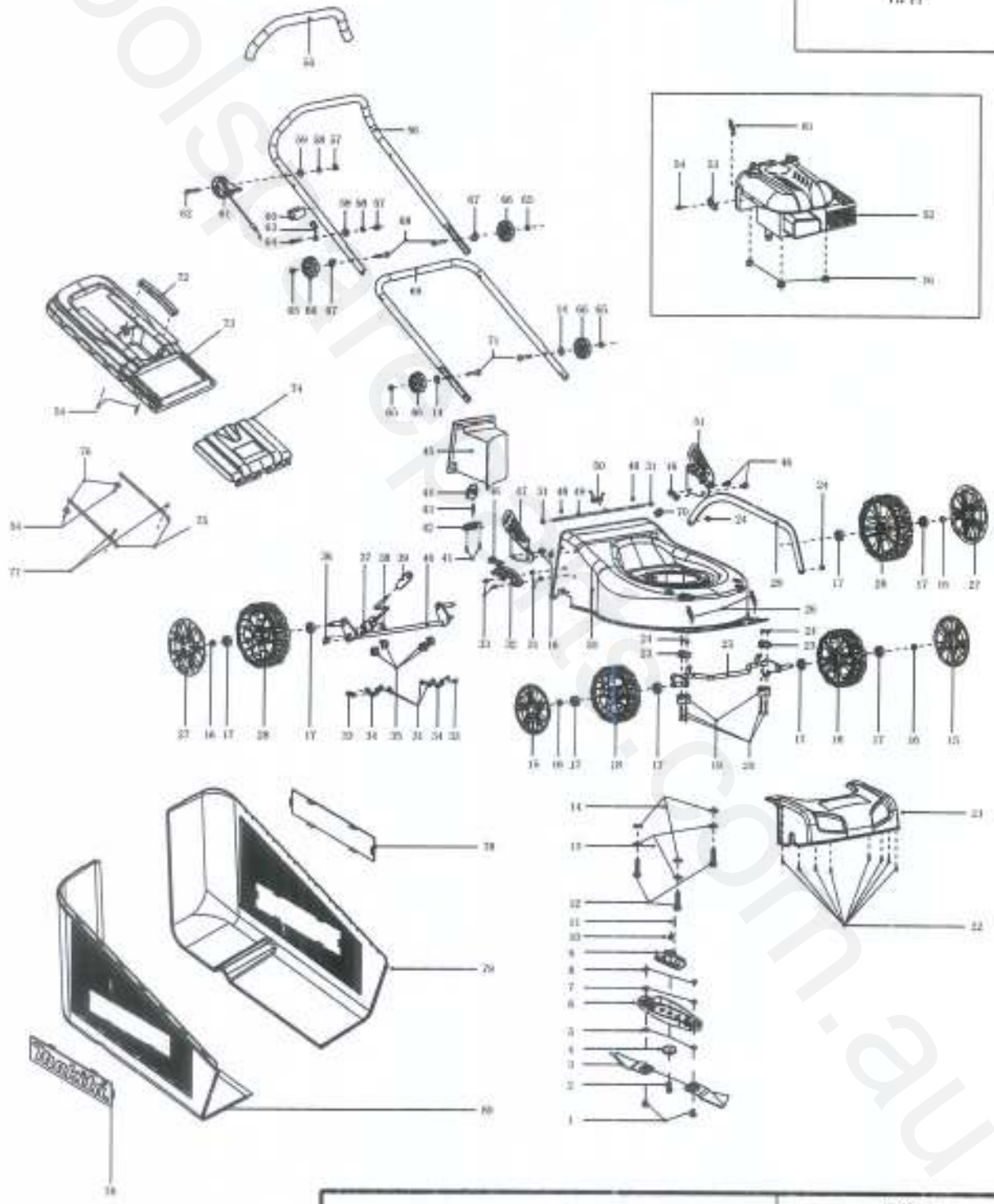


附件



爆炸图

型号 PLM4613P

制图

比例

1:1

第

页

材料

审核

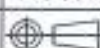
尺寸单位: 毫米

共

页

表面处理

批准



图纸编号:

MAKITA MODEL PLM4613P

BILD NR.	PART NR	SPEZIFIKATION	EN ENGLISCH	QTY
1	671006131		BOLT	2
2	671006065	3/8 USN 24 L=30MM	BLADE TIGHTEN SCREW	1
3	671001792		BLADE	2
4	671010730	Φ44.5/10.2X2.5	LID SHAPE WASHER	1
5	671001617		WASHER	2
6	671001796		BLADE BRACKET	1
7	671007056		FLAT WASHER	2
8	671005012		HEXAGONAL LOCKING NUT	2
9	671015252		BLADE SUPPORT	1
10	671001588		BUSH	1
11	671090002		FLAT KEY	1
12	671006025	M8X35	HEXAGON BOLT	3
13	671008002	Φ8,65	SPRING RING	3
14	671007007	Φ8	WASHER	5
15	671001176	7"	WHEEL COVER	2
16	671005028	M8	HEXAGONAL LOCKING NUT	11
17	671004012	6201Z	BALL BEARING	8
18	671020150	7"	WHEEL ASSY.	2
19	671418001		FIXED BRACKET	2
20	671002028	M6X45	TRIGGER BOLT	4
21	671659001	BLACK	FRONT COVER	1
22	671001062	4,2X10	SELF-TAPPING SCREW	8
23	671445001		PRESSING PLATE OF BRACKET	2
24	671005005	M6	LOCKING NUT	6
25	671001786		FRONT WHEEL AXIS	1
26	671011125		EXTENSION SPRING OF FRONT WHEEL AXIS	2
27	671001177	8"	WHEEL COVER	2
28	671020160	8"	WHEEL ASSY.	2
29	671001440	528MM	LINK ROD	1
30	671001784	MAKITA	DECK BLUE	1
31	671005024	M6	HEXAGONAL LOCKING NUT	8
32	671001018		HEIGHT ADJUSTMENT PLATE	1
33	671002019	M6X12	TRIGGER BOLT	6
34	671001244		RING OF AXIS FIXING	2
35	671353001		AXIS SHEATH	4
36	671002029	M5X12	TRIGGER BOLT	2
37	671001430		LEVER, HEIGHT ADJUSTMENT	1
38	671005011	M5	HEXAGONAL LOCKING NUT	2
39	671001026		HANDLE SHEATH	1
40	671001438	18"	REAR WHEELS AXLE	1
41	671001005	4X16	SELF-TAPPING SCREW	2
42	671317001		PRESSING PLATE	1
43	671011005		SPRING	1
44	671316004		LOCKING BUTTON	1
45	671660001		MULCHING BLOCK	1
46	671006064	M8X6	HEXAGON HEAD BOLT	4
47	671001180	MAKITA BLUE	BRACKET HANDLE, RIGHT	1
48	671009017		OPEN BLOCK RING	2
49	671001518		LONG POLE	1
50	671011101		SPRING OF REAR COVER BOARD	1
51	671001179	MAKITA BLUE	BRACKET HANDLE, LEFT	1
52		B&S/675 READYSTART	ENGINE	1
53	671002107		PRESSING PLATE	1
54	671105502	5X16	SELF-TAPPING SCREW	5
55	671001017		HANDLE SHEATH	1
56	671001653		HANDLE, UPPER PART	1
57	671005016	M6	HEX LOCK NUT	2
58	671008003		SPRING WASHER	2
59	671007008	Φ16XΦ8X0,8	WASHER	2

60	671177001		CABLE CLIP	1
61	671116602		THROTTLE HANDLE ASS'Y	1
62	671006059	M6X50	BOLT	1
63	671001647		CABLE HOOK	1
64	671006011	M6X35	BOLT	1
65	671005007	M8	NUT	4
66	671453001		STAR KNOB	4
67	671001085		WASHER	2
68	671006004	M8X52	FLAT HEAD BOLT	2
69	671001453		HANDLE, LOWER PART	1
70	671178001		CORD PROTECTING SHEATH	1
71	671006118	M8X35	FLAT HEAD BOLT	2
72	671454001		HANDLE OF GRASS CATCHER	1
73	671670001		GRASS-BOX, UPPER	1
74	671468001		REAR COVER BOARD	1
75	671001799		GRASS CATCHER BRACKET	2
76	671001436		TIGHTEN PRESSING PLATE	2
77	671001032	4.2X18	BOLT	2
78	671674001	MAKITA	LABEL	2
79	671671001		GRASS CATCHER, LEFT	1
80	671672001		GRASS CATCHER, RIGHT	1
81	671011159		SPRING	1
82	671001078	21MM	BOX SPANNER	1
83	671001079	Φ8X110MM	SPANNER POLE	1