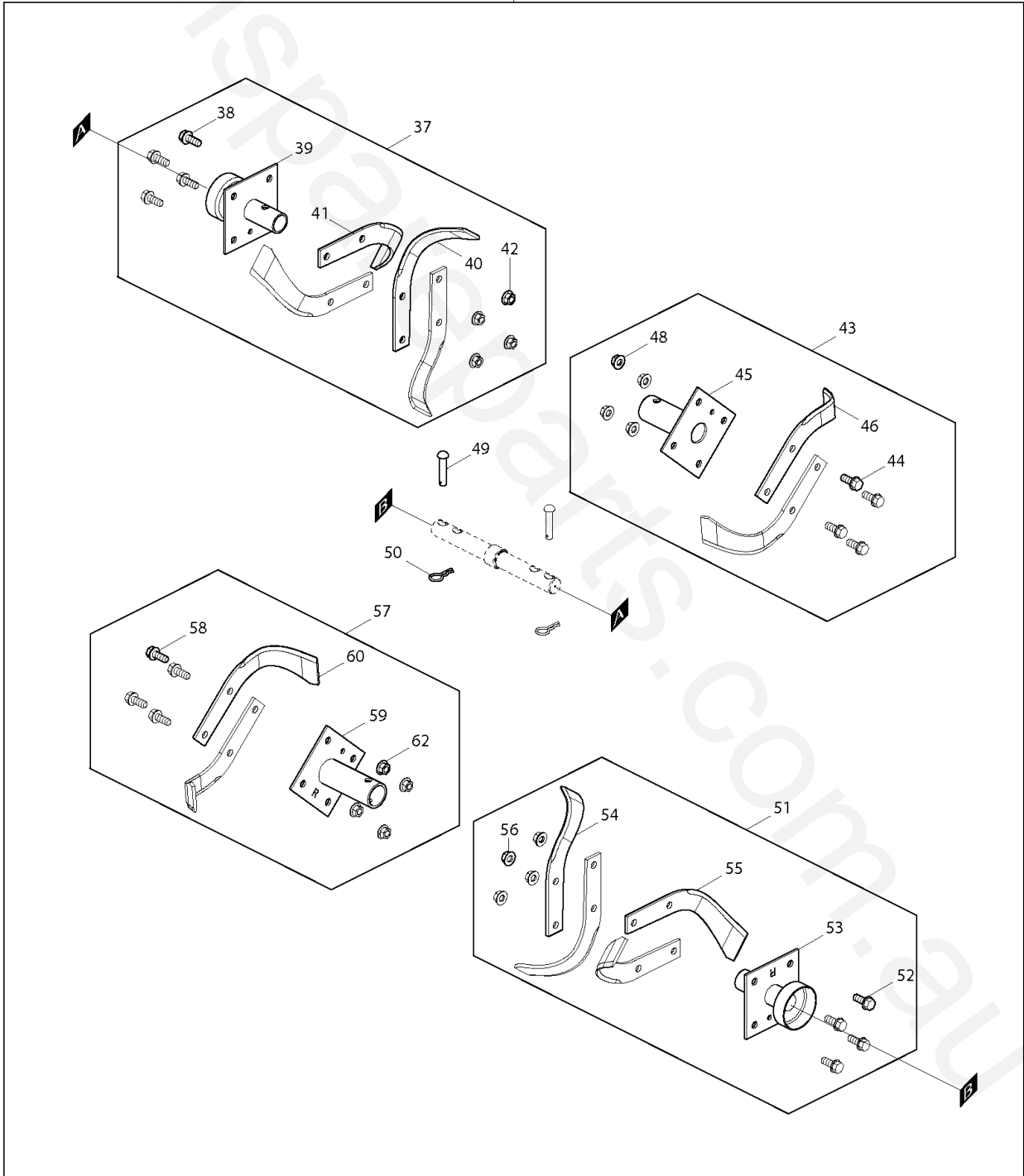
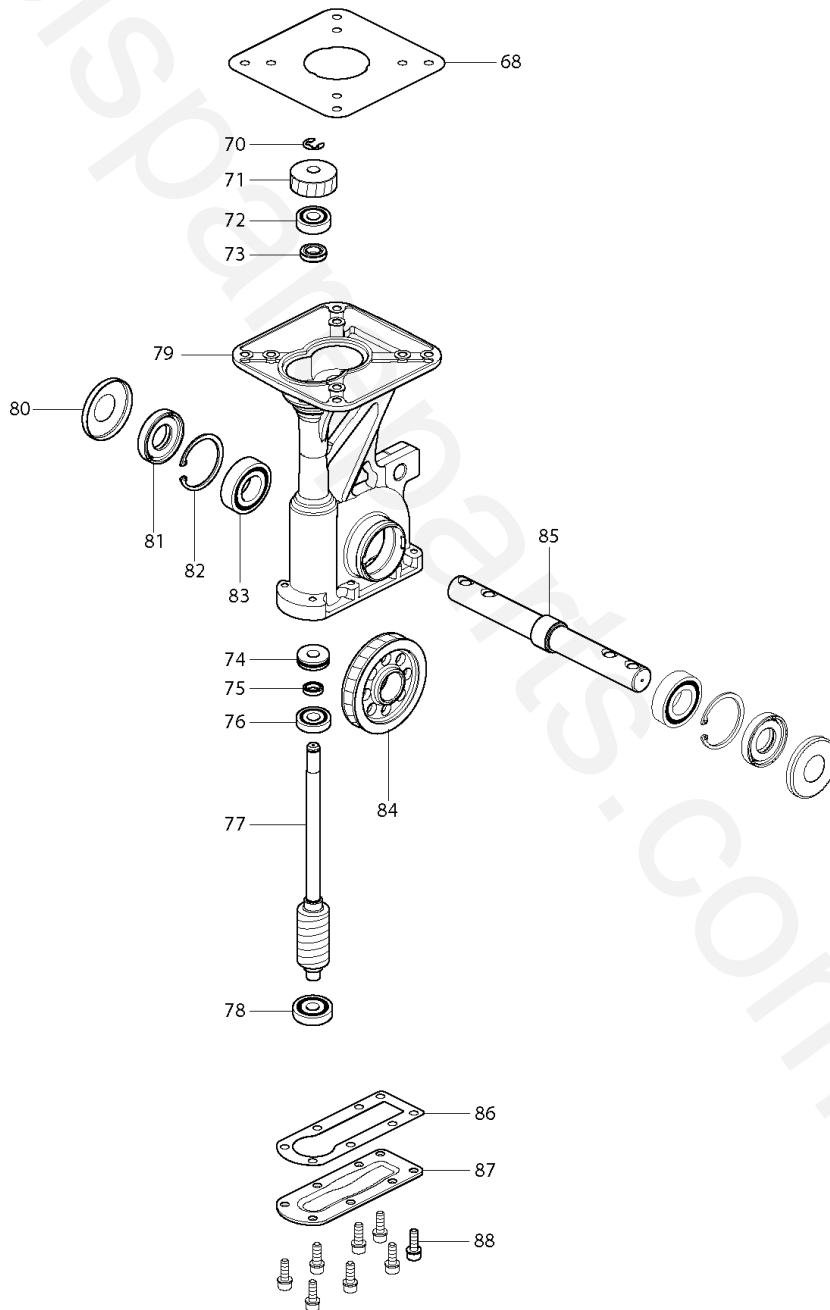
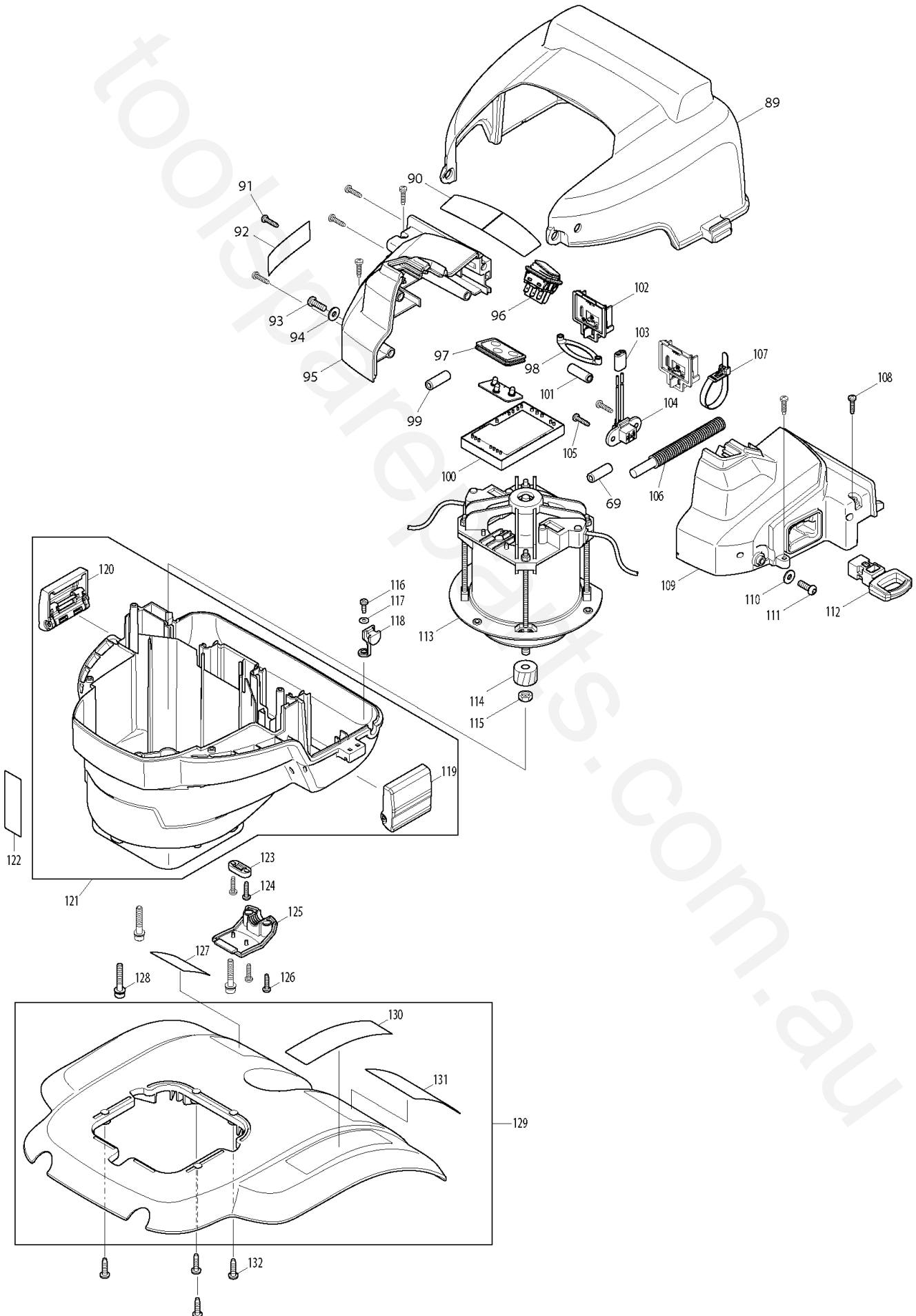


36







Parts List

ID	Part No	Name	Qty	Notes
1	141627-8	SWITCH PLATE COMPLETE	1	
2	911163-6	PAN HEAD SCREW M4X35	2	
3	265995-6	TAPPING SCREW 4X18	2	
4	620155-1	SWITCH UNIT	1	
5	453745-3	SWITCH LEVER	1	
6	233117-6	COMPRESSION SPRING 6	1	
7	453746-1	LOCK OFF BUTTON	1	
8	187349-6	SWITCH BOX SET	1	
9	346607-1	LEAF SPRING	1	
10	650612-5	SWITCH ABS1634549	1	
11	187349-6	SWITCH BOX SET	1	
12	687410-4	BAND	1	
13	141653-7	HANDLE COMPLETE	1	
17	271615-2	KNOB 64	1	
18	256531-9	PIN 8	1	
19	***	***	***	Click for Technical Bulletin 96329
20	***	***	***	Click for Technical Bulletin A0184
21	326106-9	BAR	1	
22	126062-1	PIPE PIN ASSEMBLY	1	
23	125372-3	WHEEL ASSEMBLY 1689021	2	
24	***	***	***	Click for Technical Bulletin 96329
25	931402-8	HEX. NUT M8	2	
26	332037-2	RING 8	8	
27	922466-3	HEX.SOCKET HEAD BOLT M8X45	2	
28	922343-9	H.S.H.BOLT M6X25 WITH WR	4	
29	165660-6	FRONT GRIP COMPLETE	1	
36	135516-7	ROTOR ASSEMBLY	1	
37	126169-3	ROTOR SHAFT ASSEMBLY A LEFT	1	
38	265598-6	HEX. BOLT M8	4	
39	165682-6	ROTOR SHAFT COMPLETE A LEFT	1	
40	346521-1	TINE LEFT	2	
41	346522-9	TINE RIGHT	2	
42	264067-4	HEX. NUT M8	4	
43	126196-0	ROTOR SHAFT ASSEMBLY B LEFT	1	
44	265598-6	HEX. BOLT M8	4	
45	165683-4	ROTOR SHAFT COMPLETE B LEFT	1	
46	346522-9	TINE RIGHT	2	
48	264067-4	HEX. NUT M8	4	
49	256532-7	PIN 8	2	
50	259052-0	SNAP PIN 7	2	
51	126167-7	ROTOR SHAFT ASSEMBLY A RIGHT	1	
52	265598-6	HEX. BOLT M8	4	
53	165664-8	ROTOR SHAFT COMPLETE A RIGHT	1	
54	346522-9	TINE RIGHT	2	
55	346521-1	TINE LEFT	2	
56	264067-4	HEX. NUT M8	4	



Model No: UK360D

ID	Part No	Name	Qty	Notes
57	126195-2	ROTOR SHAFT ASSEMBLY B RIGHT	1	
58	265598-6	HEX. BOLT M8	4	
59	165665-6	ROTOR SHAFT COMPLETE B RIGHT	1	
60	346521-1	TINE LEFT	2	
62	264067-4	HEX. NUT M8	4	
68	442179-5	GASKET	1	
69	688165-4	LINE FILTER	1	
70	***	***	***	Click for Technical Bulletin 96329
71	227759-6	HELICAL GEAR 18	1	
72	210067-2	BALL BEARING 6000ZZ	1	
73	***	***	***	Click for Technical Bulletin Y06368
74	211383-5	THRUST BALL BEARING 1024	1	
75	257322-1	RING 10	1	
76	211472-6	BALL BEARING 6000	1	
77	221426-5	WORM GEAR	1	
78	211473-4	BALL BEARING 6200	1	
79	318896-8	MISSION CASE	1	
80	346519-8	CUP	2	
81	213633-4	OIL SEAL 20	2	
82	***	***	***	Click for Technical Bulletin 96329
83	211474-2	BALL BEARING 6004	2	
84	221425-7	WORM WHEEL 35	1	
85	***	***	***	Click for Technical Bulletin Y06331
86	413156-4	GASKET	1	
87	346520-3	COVER MISSION CASE	1	
88	***	***	***	Click for Technical Bulletin 96329
89	141619-7	BATTERY HOOD COMPLETE	1	
90	898908-8	INDICATION LABEL	1	
91	265995-6	TAPPING SCREW 4X18	4	
92	897272-4	UK360D NAME PLATE	1	
93	265484-1	HEX. SOCKET HEAD BOLT M6X17	1	
94	253111-2	FLAT WASHER 6	1	
95	187350-1	UPPER HOUSING SET	1	
96	651534-2	SWITCH 1934.3112B	1	
97	141628-6	LENS PLATE COMPLETE	1	
98	421448-7	RUBBER BAND	1	
99	688165-4	LINE FILTER	1	
100	620154-3	CONTROLLER	1	
101	688165-4	LINE FILTER	1	
102	643849-1	TERMINAL	2	
103	688172-7	LINE FILTER	1	
104	632A04-6	LEAD UNIT	1	
105	265995-6	TAPPING SCREW 4X18	2	
106	699057-2	POWER SUPPLY CORD UNIT	1	
107	687410-4	BAND	1	
108	265995-6	TAPPING SCREW 4X18	4	
109	187350-1	UPPER HOUSING SET	1	
110	253111-2	FLAT WASHER 6	1	
111	265484-1	HEX. SOCKET HEAD BOLT M6X17	1	



Model No: UK360D

ID	Part No	Name	Qty	Notes
112	643890-4	KEY	1	
113	629957-2	DC MOTOR	1	
114	227758-8	HELICAL GEAR 13	1	
115	252194-9	HEX. NUT M8	1	
116	266020-6	TAPPING SCREW 4X12	1	
117	267099-0	FLAT WASHER 4	1	
118	424507-6	RUBBER CAP	1	
119	162343-9	LATCH	1	
120	162343-9	LATCH	1	
121	141651-1	LOWER HOUSING COMPLETE	1	
122	897513-8	UK360D SERIAL NO. LABEL	1	
123	687053-2	STRAIN RELIEF	1	
124	265995-6	TAPPING SCREW 4X18	2	
125	453747-9	CORD COVER	1	
126	265995-6	TAPPING SCREW 4X18	2	
128	266781-8	SOCKET HEAD BOLT M6X35	3	
129	141663-4	FENDER COMPLETE	1	
130	898904-6	MAKITA LOGO LABEL	1	
131	898903-8	CAUTION LABEL	1	
132	266021-4	TAPPING SCREW 5X20	4	
133	232277-1	CONED DISC SPRING 10	1	
134	213026-5	O RING 7	1	
135	941052-1	FLAT WASHER 4	2	